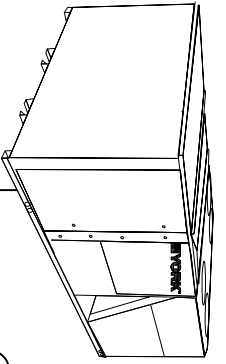
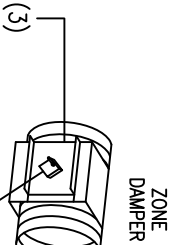
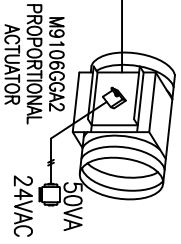


PACKAGE UNIT



BYPASS DAMPER

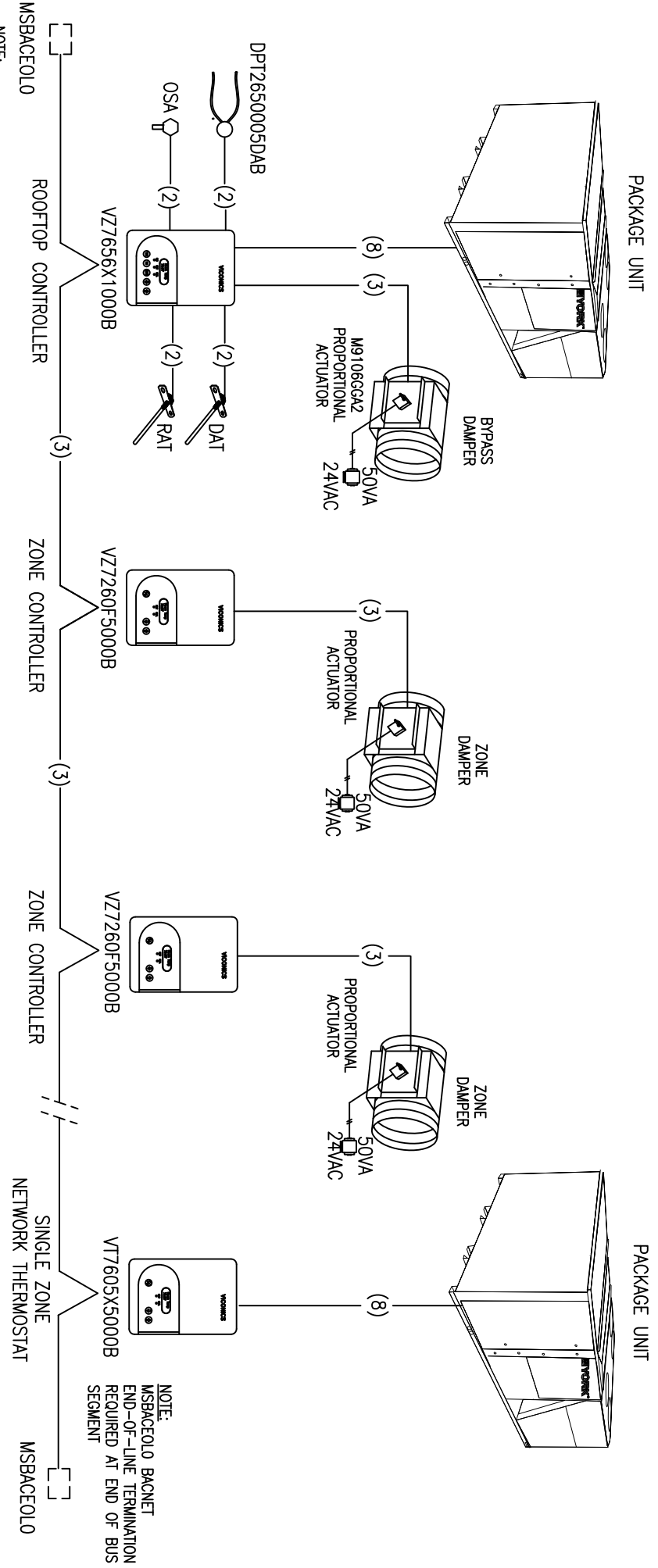
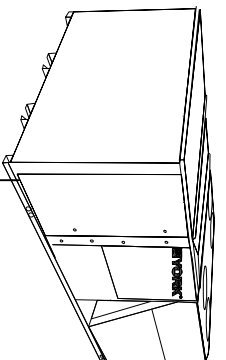


ZONE DAMPER



ZONE DAMPER

PACKAGE UNIT



NOTE:  
MSBACELO BACNET  
END-OF-LINE TERMINATION  
REQUIRED AT END OF BUS  
SEGMENT

NOTE:  
MSBACELO BACNET  
END-OF-LINE TERMINATION  
REQUIRED AT END OF BUS  
SEGMENT

- ROOFTOP CONTROLLER CONTROLS UP TO 2 STAGES OF HEATING AND 2 STAGES OF COOLING.
- THE VICONICS ZONING SYSTEM CAN OPERATE AS A STAND-ALONE ZONING SYSTEM OR IT CAN OPERATE WITH A BAS THAT ENABLES REMOTE MONITORING AND PROGRAMMABILITY IN NETWORKED ZONING SYSTEMS.
- THE VICONICS ZONING SYSTEM WILL SUPPORT UP TO 32 DEVICES.
- CONTROLLERS PROVIDED BY US AIR CONDITIONING DISTRIBUTORS.
- ALL LOW VOLTAGE WIRING BY CONTROL CONTRACTOR.
- ALL 120V TO CONTROL DEVICES SHALL BE BY DIV.16.
- BACNET END OF LINE TERMINATOR REQUIRED AT EACH END OF BUS.
- LOCATE DUCT STATIC PRESSURE TRANSDUCER AFTER BYPASS, BEFORE FIRST ZONE DAMPER.
- ALL WIRE SHALL BE 20G., STRANDED SHIELDED, PLENUM RATED.

VICONICS ZONING AND SINGLE ZONE	
QTY	DEVICE DESCRIPTION
1	VZ7656X1000B ROOFTOP CONTROLLER
X	VZ7260F5000B ZONE CONTROLLER
X	M9106GGA2 ZONE ACTUATOR
X	MMRDXX ZONE DAMPER
1	M9106GGA2 BYPASS ACTUATOR
1	MMRDXX BYPASS DAMPER
2	S2000D1000 10K DUCT TEMPERATURE SENSOR
1	S2020E1000 OUTDOOR AIR SENSOR (OPTIONAL)
1	DPT2650005DAB DUCT STATIC PRESSURE TRANSDUCER
2	MSBACELO BACNET END OF LINE TERMINATOR
X	V77605X5000B SINGLE ZONE NETWORK THERMOSTAT
X	W2011P2057B 2-COND 500FT 20G SHLD PLENUM RATED
X	W203C2173B 3-COND 500FT 20G SHLD PLENUM RATED
X	33PEPLN208500 8-COND 500FT 20G SHLD PLENUM RATED