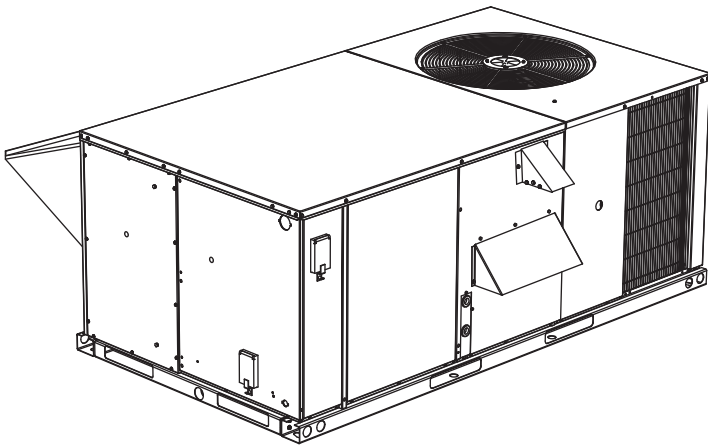




## Heating and Air Conditioning TECHNICAL GUIDE

### R-410A ZF / ZR / XP SERIES 3 - 6 TON 60 Hertz



### Description

YORK® ZF/ZR/XP Series units are convertible single package high efficiency rooftops with a common roof curb for the 3, 4, 5 and 6 Ton sizes (ZR, XP not available in 6 Ton). Although the units are primarily designed for curb mounting on a roof, they can also be slab-mounted at ground level or set on steel beams above a finished roof.

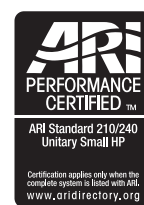
All ZF/ZR/XP Series units are self-contained and assembled on rigid full perimeter base rails allowing for overhead rigging. Every unit is completely charged, wired, piped and tested at the factory to provide a quick and easy field installation.

All models (including those with an economizer) are convertible between bottom and horizontal duct connections.

ZF/ZR Series units are available in the following configurations: cooling only, cooling with electric heat, and cooling with one or two stage gas heat. Electric heaters are available as factory-installed option or field installed accessory.

XP Series units are available in the following configurations: cooling and heating only and cooling and heating with electric heat.

Tested in accordance with:

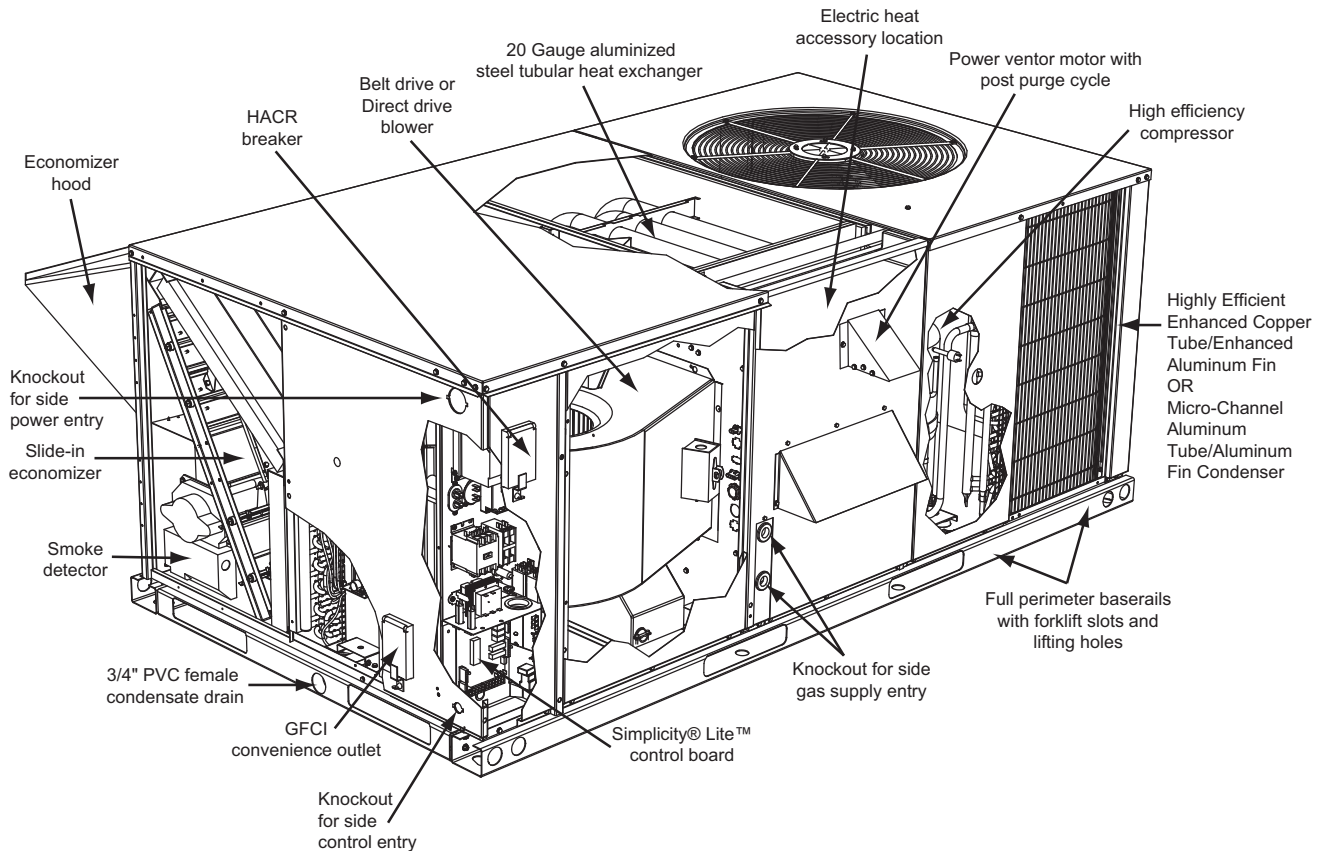


## Table of Contents

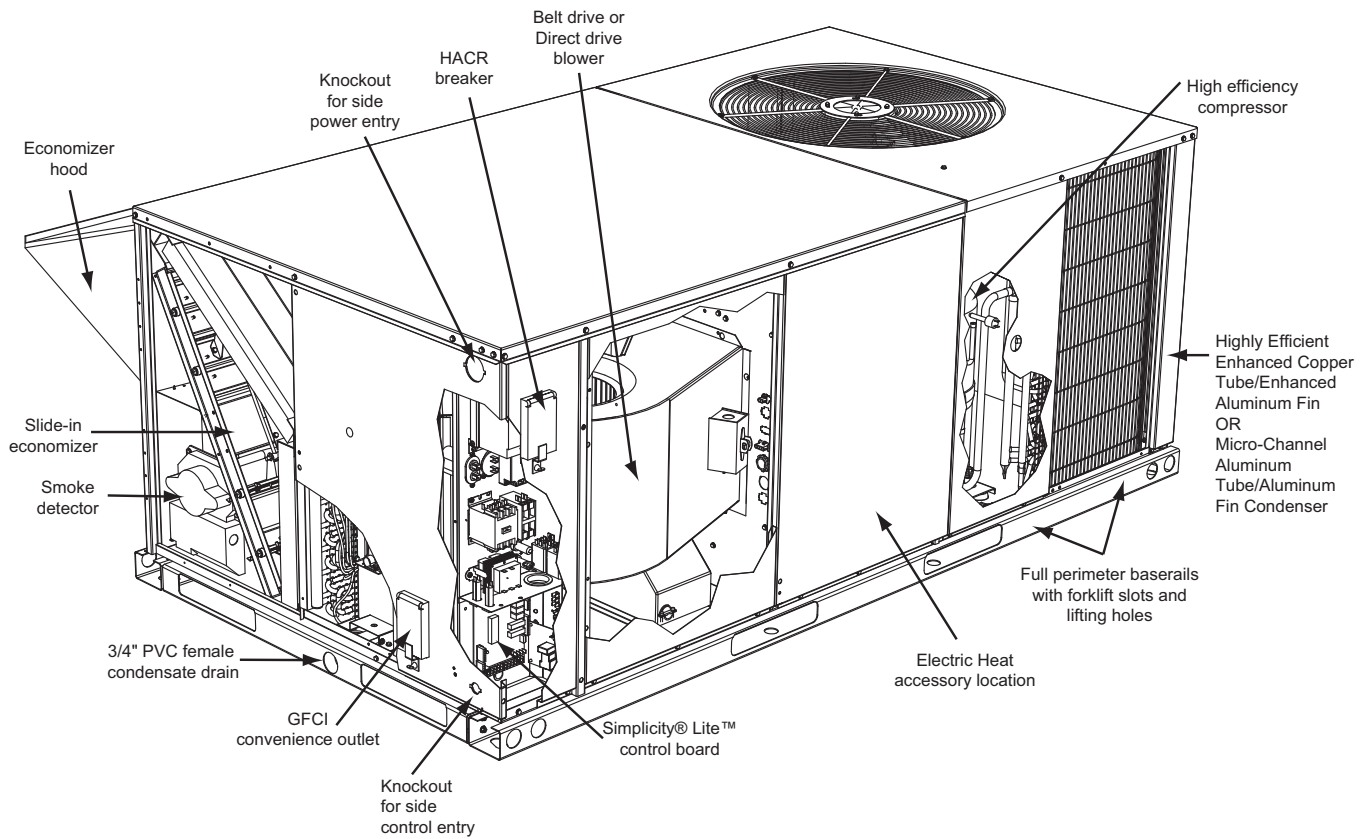
Description .....	1
Table of Contents .....	2
Component Location .....	2
Nomenclature .....	4
Features and Benefits .....	5
Guide Specifications .....	8
Physical Data .....	12
Capacity Performance .....	21
Airflow Performance .....	48
Sound Performance .....	61
Electrical Data .....	62
Typical Field Power and Control Wiring .....	105
Weights and Dimensions .....	107
Typical Wiring Diagrams .....	113

## Component Location

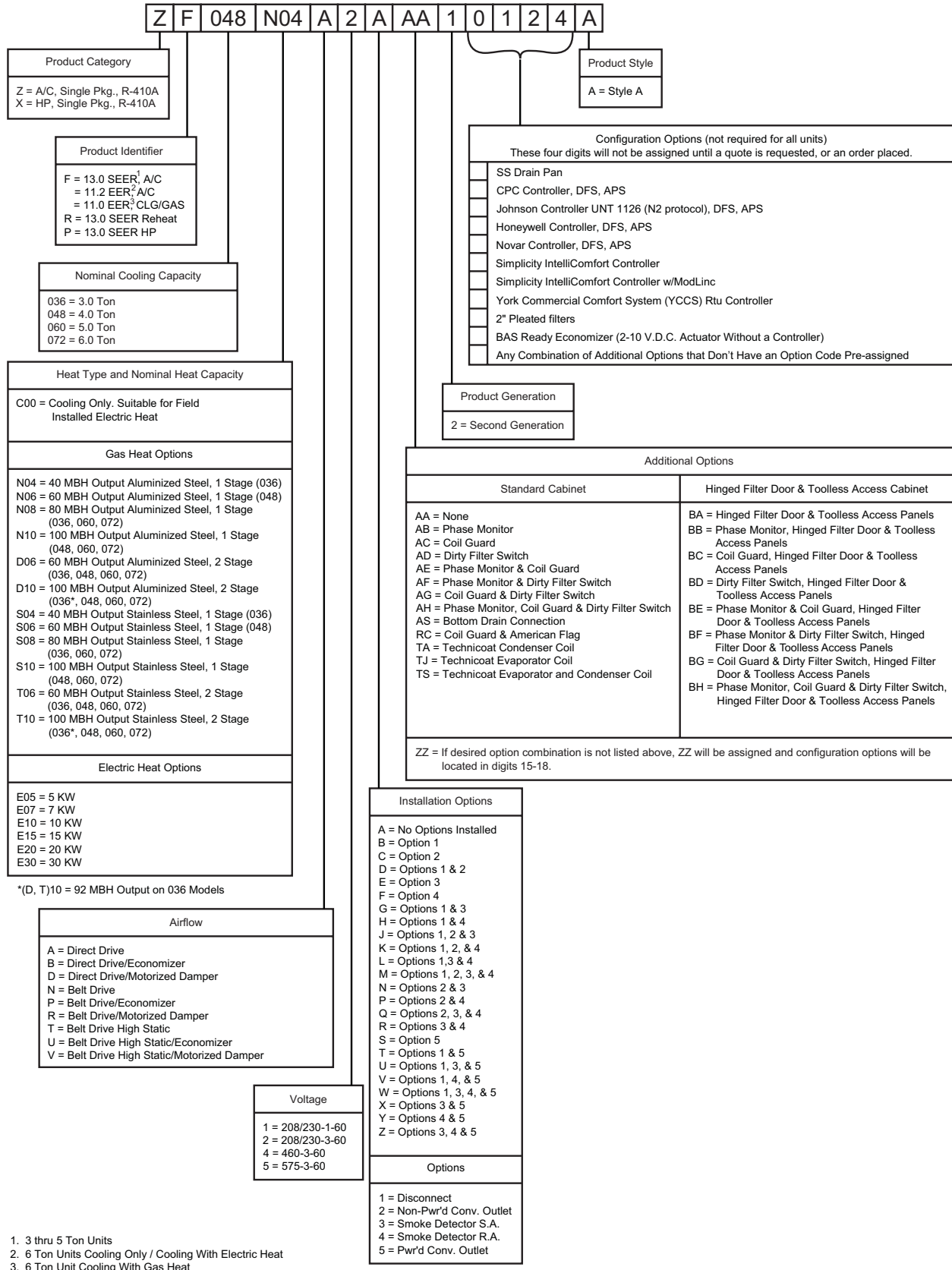
### Gas/Electric



## Electric/Electric and Heat Pump



# Nomenclature



## Features and Benefits

### Standard Features

- **High Efficiency** - High efficiency 3 thru 5 Ton units reach 13.0 SEER, 6 Ton Cooling only or Cooling with Electric Heat reach 11.2 EER and 6 Ton Cooling with Gas Heat reach 11.0 EER. Gas/electric units have electronic spark ignition and power vented combustion with steady state efficiencies of 80%. High efficiency heat pumps reach 13 SEER and 7.7 H.S.P. F. These efficiencies exceed all legislated minimum levels and provide low operating costs.
- **Coil Technology** – All ZF condensers utilize Micro-Channel “all-aluminum” condensers which provide improved heat transfer capabilities and reduced charge volumes. All evaporators utilize a conventional copper tube/aluminum fin design for proven reliability and performance.
- **Convertible Airflow Design** - All models (including those with an economizer) are suitable for either bottom or horizontal duct connections. For bottom duct, remove the sheet metal panels from the supply and return air openings through the base of the unit. For horizontal duct, remove the supply and return air panels on the rear of the unit.
- **System Protection** - Suction line freeze-stats are supplied on all units to protect against loss of charge and coil frosting when the economizer operates at low outdoor air temperatures while the compressors are running. Every unit has solid-core liquid line filter-driers and high and low-pressure switches. Internal compressor protection is standard on all compressors.
- **Advanced Controls** - The Simplicity® Lite™ control boards have standardized a number of features previously available only as options or by utilizing additional controls.
  - **Low Ambient** - An integrated low-ambient control allows all units to operate in the cooling mode down to 0°F outdoor ambient without additional assistance. Optionally, the control board can be programmed to lockout the compressors when the outdoor air temperature is low or when free cooling is available.
- **Anti-Short Cycle Protection** - To aid compressor life, an anti-short cycle delay is incorporated into the standard controls. Compressor reliability is further ensured by programmable minimum run times. For testing, the anti-short cycle delay can be temporarily overridden with the push of a button.
- **Fan Delays** - Fan on and fan off delays are fully programmable. Furthermore, the heating and cooling fan delay times are independent of one another. All units are programmed with default values based upon their configuration of cooling and heat.
- **Safety Monitoring** - The control board monitors the high and low-pressure switches, the freeze-stats, the gas valve, if applicable, and the temperature limit switch on gas and electric heat units. The unit control board will alarm on ignition failures, compressor lockouts and repeated limit switch trips.
- **Nuisance Trip Protection and Strikes** - To prevent nuisance trouble calls, the control board uses a “three times, you’re out” philosophy. The high and low-pressure switches and the freeze-stats must trip three times within two hours before the unit control board will lock out the associated compressor.
- **On Board Diagnostics** - Each alarm will energize a trouble light on the thermostat, if so equipped, and flash an alarm code on the control board LED. Each high and low-pressure switch alarm as well as each freeze-stat alarm has its own flash code. The control board saves the five most recent alarms in memory, and these alarms can be reviewed at any time. Alarms and programmed values are retained through the loss of power.
- **Reliable** - From the beginning - All units undergo computer automated testing before they leave the factory. Units are tested for refrigerant charge and pressure, unit amperage, and 100% functionality. For the long term - All ZF/ZR/XP Series units are painted with a long lasting, powder paint that stands up over the life of the unit. The paint used has been proven by a 1000 hour salt spray test.
- **Flexible Placement** - All models and configurations share the same cabinet/footprint and thus the same roof curb. You have the flexibility to set one curb and choose the correct tonnage size and heating option after the internal loads have been determined.
- **Full Perimeter Base Rails** - The permanently attached base rails provide a solid foundation for the entire unit and protect the unit during shipment. The rails offer forklift access from 3 sides, and rigging holes are available so that an overhead crane can be used to place the units on a roof.
- **Easy Installation** - Gas and electric utility knockouts are supplied in the unit underside as well as the side of the unit. A clearly identified location is provided to mount a field supplied electrical disconnect switch. Utility connections can be made quickly and with a minimum amount of field labor.
- **Wide Range of Indoor Airflows** - Indoor fan motors are either direct-drive or belt-drive type providing maximum flexibility to handle most airflow requirements.

### CAUTION

The *Simplicity*® control board used in this product will effectively operate the cooling system down to 0°F when this product is applied in a comfort cooling application for people. An economizer is typically included in this type of application. When applying this product for process cooling applications (computer rooms, switchgear, etc.), please reference applications bulletin AE-011-07 or call the applications department for Unitary Products @ 1-877-UPG-SERV for guidance. Additional accessories may be needed for stable operation at temperatures below 30° F.

- **Gas Heat Operation** - All single phase models with gas heat have minimum annual fuel utilization efficiency (AFUE) of 80%. All three phase models with gas heat have minimum steady state efficiency of 80%. Each section includes a durable heat exchanger with aluminized steel or optional stainless steel tubes, a redundant gas valve, spark ignition, power venting, an ignition module for 100% shut-off and all of the safety controls required to meet the latest ANSI standards. The gas supply piping can be routed into the heating compartment through a hole in the base pan of the unit or through a knockout in the piping panel on the front of the unit.

**Electric Heat Operation** - All electric heat models are wired for a single power source and include a bank of nickel chromium elements mounted at the discharge of the supply air blower to provide a high velocity and uniform distribution of air across the heating elements. Every element is fully protected against excessive temperature by thermal limit switches.

The power supply wiring can be routed into the control box through a threaded pipe connection (field supplied) in the base pan of the unit or through a knockout in the wiring panel on the side of the unit.

- **Warranty** - All models include a 1-year limited warranty on the complete unit. Compressors and electric heater elements each carry a 5-year warranty. Aluminized steel and stainless steel tubular heat exchangers carry a 10-year warranty.

### Factory Installed Options

- **Single Input Electronic Enthalpy Economizers** - Includes a slide-in / plug-in damper assembly with fully modulating spring-return motor actuator capable of introducing up to 100% outdoor air with nominal 1% leakage type dampers. The enthalpy system contains one sensor that monitors the outdoor air and determines when the air is cool enough and dry enough to provide free cooling. The rain hood is painted to match the basic unit and must be field-assembled before installing.
- **Motorized Outdoor Air Intake Damper** -Includes a slide-in / plug-in damper assembly with a 2-position, spring return motor actuator which opens to a pre-set position whenever the supply air blower is operating and will drive fully closed when the blower unit shuts down. The rain hood is painted to match the basic unit and must be field assembled before installing.
- **Phenolic Coated Evaporator And Condenser Coils** - Special coating process that utilizes Technicoat 10-1™ processes. Coating is applied by total immersion of the complete coil for maximum protection.
- **Electric Heaters** - Wired for single point power supply. These nickel chromium heater elements are provided with limit and automatic reset capability to prevent operation at excessive temperatures.

- **Filter Options** - Standard units are shipped with 1" throw-away filters installed. 2" pleated filters are offered as a factory installed option.
- **Convenience Outlet** - This 110 volt outlet can be "powered" by the unit with a stepdown transformer or the unit may be ordered with a "non-powered" convenience outlet that can be wired in the field.
- **Disconnect Switch** - For gas heat units and cooling units with electric heat, a HACR breaker sized to the unit is provided. For cooling only units, a switch sized to the largest electric heat available for the particular unit is provided. Factory installed option only.
- **Smoke Detectors** - (supply air & return air) The smoke detectors stop operation of the unit by interrupting power to the control board if smoke is detected within the air compartment.

### WARNING

Factory installed smoke detectors in the return air, may be subjected to freezing temperatures during "off" times due to outside air infiltration. These smoke detectors have an operational limit of 32°F to 131°F. Smoke detectors installed in areas that could be outside those limitations will have to be moved to prevent having false alarms.

- **Coil Guard** - Customers can purchase a coil guard kit to protect the condenser coil from damage. This is not a hail guard kit.
  - **Stainless Steel Heat Exchanger** - For applications in corrosive environments, this option provides a full stainless steel heat exchanger assembly.
  - **Stainless Steel Drain Pan** - An optional rustproof stainless steel drain pan is available to provide years of trouble-free operation in corrosive environments.
  - **Bottom Drain Connection** - An optional bottom drain connection is available for inside the curb connections for applications in cold environments to reduce freezing drain lines.
  - **Phase Monitors** - Designed to prevent unit damage. The phase monitor will shut the unit down in an out-of phase condition.
  - **Dirty Filter Switch** - This kit includes a differential pressure switch that energizes the fault light on the unit thermostat, indicating that there is an abnormally high pressure drop across the filters. Factory installed option or field installed accessory.
  - **Hinged Filter Door/"Toolless" Blower And Access Panels (Not Hinged)** - This option allows for easy access and maintenance.
- NOTE:** Knobs are shipped inside the unit to prevent shipping damage. These must be field installed for tool-less operation.

- **High Static Drive** - May include a belt, blower pulley, motor pulley or a motor change to enhance blower performance.

## Control Options

- **BAS - Building Automation System Controls Simplicity® INTELLI-Comfort™ Control** - The York® Simplicity® INTELLI-Comfort™ control is factory installed. It includes a supply air sensor, a return air sensor, and an outside air sensor. There are provisions for a field installed dirty filter indicator switch, an air-proving switch, an Outside Air Humidity sensor, a Return Air Humidity sensor, an Inside IAQ sensor, and an Outside Air IAQ sensor. Construction mode operation, 365-day real time clock with 7 day programming plus holiday scheduling is built-in. Two different modes of demand ventilation are achieved through the INTELLI-Comfort™ using CO<sub>2</sub> sensors. It uses an inside CO<sub>2</sub> sensor to perform Demand Ventilation. It can also use an Outside CO<sub>2</sub> sensor to perform Differential Demand Ventilation. It uses a Patented Comfort Ventilation algorithm to provide comfortable ventilation air temperature. The patented economizer-loading algorithm will protect the equipment when harsh operating conditions exist. Humidity in the occupied space or return duct can be monitored and controlled via humidity sensors and the on-board connection for hot gas re-heat system. It uses the INTELLI-Start™ algorithm to maximize energy savings by recovering the building from the Unoccupied Setpoints to the Occupied Setpoints just in time for the Occupied Time Period to begin. The Simplicity® INTELLI-Comfort™ balances space temperature, ventilation air temperature, CO<sub>2</sub> and humidity for ultimate comfort.
- **Simplicity® INTELLI-Comfort™ with ModLINC Control** - The York® Simplicity® INTELLI-Comfort™ with ModLINC control is factory installed. It includes all the features of the INTELLI-Comfort™ control with an additional control to translate communications from MODBUS to the BACnet MSTP protocol.
- **Novar® BAS Control** - The Novar® building automation system controller is factory installed. Includes supply air sensor, return air sensor, dirty filter indicator switch, and air proving switch.
- **Johnson Controls BAS Control** - The Johnson Control YK-UNT-1126 building automation system controller is factory installed. Includes supply air sensor, return air sensor, dirty filter indicator switch, and air proving switch.
- **CPC BAS Control** - The Computer Process Controls Model 810-3060 ARTC Advanced Rooftop building automation system controller is factory installed. Includes supply air sensor, return air sensor, dirty filter indicator switch and air proving switch.
- **Honeywell BAS Control** - The Honeywell W7750C building automation system controller is factory installed. Includes air supply sensor, return air sensor, dirty filter indicator switch, and air proving switch.

- **York Commercial Comfort System (YCCS)** - Provides rooftop system integration for YCCS single zone and change-over bypass systems.

## Field Installed Accessories

- **Single Input Electronic Enthalpy Economizers** - Includes a slide-in / plug-in damper assembly with fully modulating spring-return motor actuator capable of introducing up to 100% outdoor air with nominal 1% leakage type dampers.  
The enthalpy system contains one sensor that monitors the outdoor air and determines when the air is cool enough and dry enough to provide free cooling.  
The rain hood is painted to match the basic unit and must be field-assembled before installing.
- **Motorized Outdoor Air Intake Damper** - Includes a slide-in / plug-in damper assembly with a 2-position, spring return motor actuator which opens to some pre-set position whenever the supply air blower is operating and will drive fully closed when the blower unit shuts down.  
The rain hood is painted to match the basic unit and must be field assembled before installing.
- **Electric Heaters** - wired for single point power supply.  
These nickel chromium heater elements are provided with limit and automatic reset capability to prevent operation at excessive temperatures.
- **Roof Curbs** - Eight and fourteen-inch high roof curbs provide a water-tight seal between the unit and the finished roof. These full perimeter curbs meet the requirements of the National Roofing Contractors Association (NRCA) and are shipped knocked-down for field assembly.  
Roof curbs are designed to fit inside the base rails of the unit and include both a wood nailing strip and duct hanger supports.
- **High Altitude Natural Gas** - Burner orifices and pilot orifices are provided for proper furnace operation at altitudes up to 6,000 feet.
- **Propane** - Burner orifices, pilot orifices and gas valve parts are provided to convert a natural gas furnace to propane.
- **High Altitude Propane** - Burner orifices and pilot orifices are provided for proper furnace operation at altitudes up to 6,000 feet. This accessory supplements the basic propane conversion kit.
- **Low Nox Kit** - Required to reduce the emission of nitrogen oxides below 40 nano grams per joule.
- **Power Exhaust** - Our single input economizer options are available with power exhaust. Whenever the outdoor air intake dampers are opened for free cooling, the exhaust fan will be energized to prevent the conditioned space from being over-pressurized during economizer operation.  
The power exhaust option can only be used on bottom duct configurations.

- **Barometric Relief Damper** - This damper accessory can be used to relieve internal building air pressure on units with an economizer without power exhaust. This accessory includes a rain hood, a bird screen and a fully assembled damper. With bottom duct connections, the damper should be mounted over the opening in the return air panel. With horizontal ductwork, the accessory should be mounted on the return air duct.
- **Enthalpy Accessory Control Kit** - This kit contains the required components to convert a single enthalpy economizer to dual enthalpy.
- **Burglar Bars** - Mount in the supply and return openings to prevent entry into the duct work.
- **Flue Exhaust Extension Kit** - In locations with wind or weather conditions which may interfere with proper exhausting of furnace combustion products, this kit can be installed to prevent the flue exhaust from entering nearby fresh air intakes.
- **CO<sub>2</sub> Sensor** - Senses CO<sub>2</sub> levels and automatically overrides the economizer when levels rise above the present limits.
- **Coil Guard** - Customers can purchase a coil guard kit to protect the condenser coil from damage. This is not a hail guard kit.
- **Hail Guard** - Hail Guard kit is available to prevent unit from hail damage. This is a sloped hood that fits above the coil.
- **Gas Piping Kit** - This kit supplies all necessary fittings and shut off valve.

## Guide Specifications

### General

Units shall be manufactured by Johnson Controls Unitary Products in an ISO 9001 certified facility.

York's ZF/ZR/XP units are convertible single package units. Although the units are primarily designed for curb mounting on a roof, they can also be slab-mounted at ground level or set on steel beams above a finished roof. Cooling only, cooling with gas heat and cooling with electric heat models are available with a wide variety of factory-mounted options and field-installed accessories to make them suitable for almost every application. All units are self-contained and assembled on full perimeter base rails with holes in the four corners for overhead rigging. Every unit is completely piped, wired, charged and tested at the factory to simplify the field installation and to provide years of dependable operation. All models (including those with an economizer) are suitable for either bottom or horizontal duct connections. Models with power exhaust are suitable for bottom duct connections only. For bottom duct, remove the sheet metal panels from the supply and return air openings through the base of the unit. For horizontal duct, remove the supply and return air panels on the rear of the unit.

All non-Scroll compressors include crankcase heaters and all compressors have internal pressure relief. Every refrigerant

circuit includes a liquid line filter-drier, a discharge line high pressure switch and a suction line with a freeze-stat and low pressure/loss of charge switch. The unit control circuit includes a 75 VA transformer, a 24-volt circuit breaker and a relay board with a compressor lockout circuit, a terminal strip for thermostat wiring, plus an additional set of pin connectors to simplify the interface of additional field controls. All models are CSA listed. All models include a 1-year limited warranty on the complete unit. Compressors and electric heater elements carry a 5-year warranty. Aluminized steel and Stainless steel tubular heat exchangers carry a 10-year warranty.

### Description

Units shall be factory-assembled, single packaged, Electric Cooling/Gas Heat, Electric Cooling/Optional Electric Heat, Heat Pump/Optional Electric Heat are designed for outdoor mounted installation.

The 3 ton, 4 ton and 5 ton units shall have minimum SEER rating of 13.0 with heat pumps having a 7.7 H.S.P.F. The 6 Ton Cooling only or Cooling with Electric Heat shall have 11.2 EER, 6 Ton Cooling with Gas Heat shall have 11.0 EER. They shall have built-in field convertible duct connections for down discharge supply/return or horizontal discharge supply/return, and be available with factory installed options or field installed accessories. The units shall be factory wired, piped, charged with R-410A refrigerant and factory tested prior to shipment. All unit wiring shall be both numbered and color coded. All units the cooling performance shall be rated in accordance with DOE and ARI test procedures. Units shall be CSA listed, classified to ANSI Z21.47, UL 1995/CSA No. 236 standards.

### Unit Cabinet

Unit cabinet shall be constructed of galvanized steel, with exterior surfaces coated with a non-chalking, powdered paint finish, certified at 1000 hours salt spray test per ASTM B117 standards. Indoor blower section shall be insulated with a minimum 1/2" thick insulation, coated on the airside. Aluminum foil faced insulation shall be used in the furnace compartment and be fastened with ridged fasteners to prevent insulation from entering the air stream. Cabinet panels shall be "large" size, easily removable for servicing and maintenance. Full perimeter base rails shall be provided to assure reliable transit of equipment, overhead rigging and proper sealing on roof curb applications. Disposable 1" filters shall be furnished and be accessible through a removable access door, sealed airtight. Units filter track shall be designed to accommodate either 1" or 2" filters. Fan performance measuring ports shall be provided on the outside of the cabinet to allow accurate air measurements of evaporator fan performance without removing panels or creating air by-pass of the coils. Condensate pan shall be internally sloped and conform to ASHRAE 62-89 self-draining standards. Condensate connection shall be a minimum of 3/4" I.D. female and be a ridged mount connection.

### Indoor (Evaporator) Fan Assembly

The indoor fan shall be a factory installed direct-drive or belt-drive assembly that includes an adjustable pitch motor pulley.



Job site selected (B.H.P.) brake horsepower shall not exceed the motors nameplate horsepower rating, plus the service factor. Units shall be designed not to operate above service factor. Fan wheel shall be double-inlet type with forward-curved blades, dynamically balanced to operate smoothly throughout the entire range of operation. Airflow design shall be constant air volume. Bearings shall be sealed and permanently lubricated for longer life and no maintenance.

### Outdoor (Condenser) Fan Assembly

The outdoor fan shall be of the direct-driven propeller type, discharge air vertically, have aluminum blades riveted to a corrosion resistant steel spider bracket and shall be dynamically balanced for smooth operation. The outdoor fan motor shall be totally enclosed with permanently lubricated bearings, internally protected against overload conditions and staged independently.

### Refrigerant Components

Compressor:

- a. Shall be internally protected with internal high-pressure relief and over temperature protection.
- b. Shall have internal spring isolation and sound muffling to minimize vibration and noise, and be externally isolated on a dedicated, independent mounting.

Coils:

- a. Evaporator coils shall have aluminum plate fins mechanically bonded to seamless internally enhanced copper tubes with all joints brazed. Special Phenolic coating shall be available as a factory option.
- b. Evaporator coils shall be of the direct expansion, draw-thru design.
- c. Condenser coils shall have aluminum plate fins mechanically bonded to seamless internally enhanced copper tubes with all joints brazed or Micro-Channel aluminum tube, aluminum fins.
- d. Condenser coils shall be of the direct expansion, draw-thru design.

Refrigerant Circuit and Refrigerant Safety Components shall include:

- a. Independent fixed-orifice or thermally operated expansion devices.
- b. Filter drier/strainer to eliminate any moisture or foreign matter.
- c. Accessible service gage connections on both suction and liquid lines to charge, evacuate, and measure refrigerant pressure during any necessary servicing or troubleshooting, without losing charge.
- d. The refrigeration system shall provide at least 15°F of sub-cooling at design conditions.

### Unit Controls

- a. Unit shall be complete with self-contained low-voltage control circuit protected by a resettable circuit breaker on the 24-volt transformer side.
- b. Unit shall incorporate a lockout circuit which provides reset capability at the space thermostat or base unit, should any of the following standard safety devices trip and shut off compressor.
  - c. Loss-of-charge/Low-pressure switch.
  - d. High-pressure switch.
  - e. Freeze-protection thermostat, evaporator coil.
- f. Unit shall incorporate "AUTO RESET" compressor over temperature, over current protection.
- g. Unit shall operate with conventional thermostat designs and have a low voltage terminal strip for easy hook-up.
- h. Unit control board shall have on-board diagnostics and fault code display.
- i. Standard controls shall include anti-short cycle and low voltage protection, and permit cooling operation down to 0°F.
- j. Control board shall monitor each refrigerant safety switch independently.
- k. Control board shall retain last 5 fault codes in non volatile memory which will not be lost in the event of a power loss.

### Gas Heating Section (Single Or 2 Stage)

Shall be designed with induced draft combustion with post purge logic, energy saving direct spark ignition, and redundant main gas valve. Venter wheel shall be constructed of stainless steel for corrosion resistance. The heat exchanger shall be of the tubular type, constructed of T1-40 aluminized steel for corrosion resistance and allowing minimum mixed air entering temperature of 25°F. Burners shall be of the inshot type, constructed of aluminum coated steel and contain air mixture adjustments. All gas piping shall enter the unit cabinet at a single location through either the side or curb without any field modifications. Integrated control boards shall provide timed control of evaporator fan functioning and burner ignition. Heating section shall be provided with the following minimum protection:

- a. Primary and auxiliary high-temperature limit switches.
- b. Induced draft motor speed sensor.
- c. Flame roll out switch.
- d. Flame proving controls.
- e. If any of the above safety devices trip, a LED (light-emitting diode) indicator shall flash a diagnostic code that indicates which safety switch has tripped.

**NOTE:** All 2 Stage Gas Heat, 60% Capacity 1<sup>st</sup> Stage, 40% Capacity 2<sup>nd</sup> Stage.

## Electric Heating Section

An electric heating section, with nickel chromium elements, shall be provided in a range of 5 thru 30 KW, offering two stages of capacity - 16 KW and above on 208/230 volt heaters and 20 KW and above on 460 and 575 volt heaters. The heating section shall have a primary limit control(s) and automatic reset to prevent the heating element system from operating at an excessive temperature. The heating section assembly shall slide out of the unit for easy maintenance and service. Units with Electric Heating shall be wired for a single point power supply with branch circuit fusing (where required).

## Unit Operating Characteristics

Unit shall be capable of starting and running at 125°F outdoor temperature, exceeding maximum load criteria of ARI Standard 210/240. The compressor, with standard controls, shall be capable of operation down to 0°F outdoor temperature. Unit shall be provided with fan time delay to prevent cold air delivery before heat exchanger warms up (Gas heat only).

## Electrical Requirements

All unit power wiring shall enter unit cabinet at a single factory provided location and be capable of side or bottom entry, to minimize roof penetrations and avoid unit field modifications. Separate side and bottom openings shall be provided for the control wiring.

## Standard Limited Warranties

- Compressor 5 Years
- Heat Exchanger 10 Years
- Electric Heat Element 5 Years
- Other Parts 1 Year

## Optional Outdoor Air

Shall be made available by either/or:

- **Electronic Enthalpy Automatic Economizer** - Outdoor and return air dampers that are interlocked and positioned by a fully-modulating, spring return damper actuator. The maximum leakage rate for the outdoor air intake dampers shall not exceed 2% when dampers are fully closed and operating against a pressure differential of 0.5 IWG. A unit-mounted potentiometer shall be provided to adjust the outdoor and return air damper assembly to take in CFM of outdoor air to meet the minimum ventilation requirement of the conditioned space during normal operation. During economizer operation, a mixed-air temperature control shall modulate the outdoor and return air damper assembly to prevent the supply air temperature from dropping below 55°F. Changeover from compressor to economizer operation shall be provided by an integral electronic enthalpy control that feeds input into the basic module. The outdoor intake opening shall be covered with a rain hood that matches the exterior of the unit. Water eliminator/filters shall be provided. Simultaneous economizer/compressor

operation is also possible. Dampers shall fully close on power loss.

- **Motorized Outdoor Air Dampers** - Outdoor air dampers are positioned by a 2-position, spring-return damper actuator. The maximum leakage rate for the outdoor air intake dampers shall not exceed 2% when dampers are fully closed and operating against a pressure differential of 0.5 IWG. A unit-mounted potentiometer shall be provided to adjust the outdoor damper assembly to take in the design CFM of outdoor air to meet the ventilation requirements of the conditioned space during normal operation. Whenever the indoor fan motor is energized, the dampers open up to one of two pre-selected positions - regardless of the outdoor air enthalpy. Dampers return to the fully closed position when the indoor fan motor is de-energized. Dampers shall fully close on power loss.

## Other Pre-engineered Accessories Available

- **Roof Curb** - 14" and 8" high, full perimeter curb with wood nailer (shipped knocked-down).
- **Barometric Relief Damper** - Contains a rain hood, air inlet screen, exhaust damper and mounting hardware. Used to relieve internal air pressure through the unit.
- **Propane Conversion Kit** - Contains new orifices and gas valve parts to convert from natural to L.P. gas. One per unit required.
- **High Altitude - Natural Gas** - Contains orifices required for applications between 2000 and 6000 feet altitude.
- **High Altitude - Propane Gas** - Contains orifices required for applications between 2000 and 6000 feet altitude. Must be used with propane conversion kit.
- **Low Nox** - Required to reduce the emission of nitrogen oxides below 40 nanograms per joule.
- **Gas Piping** - Contains 1/2" pipe nipples, fittings and gas cock (including panel assess gaskets) required for bottom gas supply connection with external shut off.
- **Power Exhaust Option** - To work in conjunction with economizers.
- **Electric Heaters**
- **Economizer/motorized Damper Rain Hood** - Contains all hood panels and the hardware for assembling.
- **Manual Outdoor Air Damper**
- **Coil Guard Kit** - Guard for cooling coil.
- **Hail Guard**
- **Flue Exhaust Extension**

## OTHER FACTORY INSTALLED OPTIONS

- **Power Exhaust Option** - To work in conjunction with economizers.
- **Stainless Steel Heat Exchanger**
- **Stainless Steel Drain Pan**
- **Bottom Drain Connection**

- 
- Technicoat Phenolic Coated Condenser And Evaporator Coil
  - Electronic Single Enthalpy Economizer
  - Dirty Filter Switch
  - Phase Monitor
  - Coil Guard
  - Powered GFI Convenience Outlet
  - Non-powered GFI Convenience Outlet
  - BAS Controls (Simplicity<sup>®</sup> INTELLI-Comfort<sup>™</sup>, CPC, Johnson, Honeywell, Novar, York Commercial Comfort System (YCCS))
  - Bas Ready Economizer (2-10 V.D.C. Actuator Without a Controller)
  - Hinged Filter Door Access And Toolless Access Panels
  - 2" Pleated Filters
  - Disconnect Switch
  - Supply Air Smoke Detector
  - Return Air Smoke Detector
  - Direct Drive Or Belt Drive Blower With High Static Drive Option
  - Hot Gas Reheat with Hot Gas Bypass (Not available on 6 Ton)

## Physical Data

### ZF036-060 Physical Data

Component	Models											
	ZF036				ZF048				ZF060			
Nominal Tonnage	3.0				4.0				5.0			
<b>ARI COOLING PERFORMANCE</b>												
Gross Capacity @ ARI A point (Btu)	38500				50500				59500			
ARI net capacity (Btu)	36000				47500				57000			
EER	11.0				11.0				10.8			
SEER	13.0				13.0				13.0			
IPLV	-				-				-			
Nominal CFM	1200				1600				1750			
System power (KW)	3.27				4.32				5.28			
Refrigerant type	R-410A				R-410A				R-410A			
Refrigerant charge (lb-oz)												
System 1	4-14				4-4				4-15			
<b>ARI HEATING PERFORMANCE</b>												
Heating model	N04	N08	D06	D10	N06	N10	D06	D10	N08	N10	D06	D10
Heat input (K Btu)	50	100	75	115	75	125	75	125	100	125	75	125
Heat output (K Btu)	40	80	60.8	92	60	100	60.8	100.6	80	100	60.8	100.6
AFUE %	80.9	80.5	-	-	80.9	80.3	-	-	80.5	80.3	-	-
Steady state efficiency (%)	-	-	81.1	80.2	-	-	81.1	80.5	-	-	81.1	80.5
No. burners	2	4	3	5	3	5	3	5	4	5	3	5
No. stages	1	1	2	2	1	1	2	2	1	1	2	2
Temperature Rise Range (°F)	15-45	45-75	35-70	55-90	25-70	45-75	25-70	45-75	25-55	35-75	20-55	35-75
Gas Limit Setting (°F) - Direct Drive	240	170	210	200	210	165	210	165	170	165	210	165
Gas Limit Setting (°F) - Belt Drive	240	210	240	200	240	210	240	210	210	210	210	210
Gas piping connecting (in.)	1/2	1/2	1/2	1/2	1/2	1/2	1/2	1/2	1/2	1/2	1/2	1/2
<b>DIMENSIONS (inches)</b>												
Length	82 1/4				82 1/4				82 1/4			
Width	44 7/8				44 7/8				44 7/8			
Height	32 5/8				32 5/8				32 5/8			
<b>OPERATING WT. (lbs.)</b>	470				539				567			
<b>COMPRESSORS</b>												
Type	Recip				Scroll				Scroll			
Quantity	1				1				1			
Unit Capacity Steps (%)	100				100				100			
<b>CONDENSER COIL DATA</b>												
Face area (Sq. Ft.)	16.3				16.3				16.3			
Rows	1				1				1			
Fins per inch	23				23				23			
Tube diameter (in.)	0.71 / 18				0.71 / 18				0.71 / 18			
Circuitry Type	2-pass Microchannel				2-pass Microchannel				2-pass Microchannel			
<b>EVAPORATOR COIL DATA</b>												
Face area (Sq. Ft.)	5.06				5.06				5.06			
Rows	3				3				4			
Fins per inch	13				13				13			
Tube diameter	0.375				0.375				0.375			
Circuitry Type	Intertwined				Intertwined				Intertwined			
Refrigerant control	TXV				TXV				Orifice			

**ZF036-060 Physical Data (Continued)**

Component	Models					
	ZF036		ZF048		ZF060	
Nominal Tonnage	3.0		4.0		5.0	
<b>CONDENSER FAN DATA</b>						
Quantity	1		1		1	
Fan diameter (Inch)	24		24		24	
Type	Prop		Prop		Prop	
Drive type	Direct Drive		Direct Drive		Direct Drive	
Quantity of motors	1		1		1	
Motor HP each	1/2		1/2		1/2	
No. speeds	1		1		1	
RPM	1090		1090		1090	
Nominal total CFM	4200		4200		4200	
<b>BELT DRIVE EVAP FAN DATA</b>						
Quantity	1		1		1	
Fan Size (Inch)	12 x 10		12 x 10		12 x 10	
Type	Centrifugal		Centrifugal		Centrifugal	
Motor Sheave	1VL44	1VP56	1VL44	1VP56	1VL44	1VP56
Blower Sheave	AK64	AK66	AK56	AK61	AK56	AK56
Belt	A37	A39	A36	A38	A36	A38
Motor HP each	1-1/2	1-1/2	1-1/2	1-1/2	1-1/2	2
RPM	1725		1725		1725	
Frame size	56		56		56	
<b>DIRECT DRIVE EVAP FAN DATA</b>						
Quantity	1		1		1	
Fan Size (Inch)	12 x 10		12 x 10		12 x 10	
Type	Centrifugal		Centrifugal		Centrifugal	
Motor HP each	1/2		1		1	
RPM	1050		1050		1050	
<b>FILTERS</b>						
15" x 20" x 1" or 2"	2		2		2	
14" x 25" x 1" or 2"	1		1		1	

**NOTE:** All 2 Stage Gas Heat, 60% Capacity 1<sup>st</sup> Stage, 40% Capacity 2<sup>nd</sup> Stage.

**ZF072 Physical Data**

Component	Models			
	ZF072			
<b>Nominal Tonnage</b>	<b>6.0</b>			
<b>ARI COOLING PERFORMANCE</b>				
Gross Capacity @ ARI A point (Btu)	70360			
ARI net capacity (Btu)	68000			
EER	11.2 <sup>1</sup> / 11.0 <sup>2</sup>			
IEER	11.3			
Nominal CFM	2000			
System power (KW)	6.07			
Refrigerant type	R-410A			
Refrigerant charge (lb-oz)				
System 1	6-4			
<b>ARI HEATING PERFORMANCE</b>				
Heating model	N08	N10	D06	D10
Heat input (K Btu)	100	125	75	125
Heat output (K Btu)	80	100	60.8	100.6
AFUE %	80.5	80.3	-	-
Steady state efficiency (%)	-	-	81.1	80.5
No. burners	4	5	3	5
No. stages	1	1	2	2
Temperature Rise Range (°F)	25-55	30-75	15-45	30-75
Gas Limit Setting (°F) - Direct Drive	170	165	210	165
Gas Limit Setting (°F) - Belt Drive	210	210	210	210
Gas piping connecting (in.)	1/2	1/2	1/2	1/2
<b>DIMENSIONS (inches)</b>				
Length	82 1/4			
Width	44 7/8			
Height	32 5/8			
<b>OPERATING WT. (lbs.)</b>	640			
<b>COMPRESSORS</b>				
Type	Scroll			
Quantity	1			
Unit Capacity Steps (%)	100			
<b>CONDENSER COIL DATA</b>				
Face area (Sq. Ft.)	16.3			
Rows	1			
Fins per inch	23			
Tube diameter (in.)	1.0 / 25.4			
Circuitry Type	2-pass Microchannel			
<b>EVAPORATOR COIL DATA</b>				
Face area (Sq. Ft.)	5.06			
Rows	4			
Fins per inch	13			
Tube diameter	0.375			
Circuitry Type	Intertwined			
Refrigerant control	Fixed Orifice			

**ZF072 Physical Data (Continued)**

Component	Models	
	ZF072	
Nominal Tonnage	6.0	
<b>CONDENSER FAN DATA</b>		
Quantity	1	
Fan diameter (Inch)	24	
Type	Prop	
Drive type	Direct Drive	
No. speeds	1	
Number of motors	1	
Motor HP each	1/2 <sup>3</sup>	1/2 <sup>4</sup>
RPM	1100	1090
Nominal total CFM	4200	4200
<b>BELT DRIVE EVAP FAN DATA</b>		
Quantity	1	
Fan Size (Inch)	12 x 10	
Type	Centrifugal	
Motor Sheave	1VL44	1VP56
Blower Sheave	AK56	AK56
Belt	A36	A38
Motor HP each	1-1/2	3
RPM	1725	
Frame size	56	
<b>DIRECT DRIVE EVAP FAN DATA</b>		
Quantity	1	
Fan Size (Inch)	12 x 10	
Type	Centrifugal	
Motor HP each	1	
RPM	1050	
<b>FILTERS</b>		
15" x 20" x 1" or 2"	2	
14" x 25" x 1" or 2"	1	

1. Cooling Only or Cooling with Electric Heat Unit
2. Cooling with Gas Heat Unit
3. Cooling Only or Cooling with Electric Heat Unit (ECM O.D. Fan Motor)
4. Cooling with Gas Heat Unit (PSC O.D. Fan Motor)

**NOTE:** All 2 Stage Gas Heat, 60% Capacity 1<sup>st</sup> Stage, 40% Capacity 2<sup>nd</sup> Stage.

**ZR036-060 Physical Data**

Component	Models											
	ZR036				ZR048				ZR060			
Nominal Tonnage	3.0				4.0				5.0			
<b>ARI COOLING PERFORMANCE</b>												
Gross Capacity @ ARI A point (Btu)	36700				48300				62600			
ARI net capacity (Btu)	35000				46500				60000			
EER	11.0				11.0				11.0			
SEER	13.0				13.0				13.0			
IPLV	-				-				-			
Nominal CFM	1200				1600				2000			
System power (KW)	3.18				4.22				5.45			
Refrigerant type	R-410A				R-410A				R-410A			
Refrigerant charge (lb-oz)												
System 1	10-8				11-8				12-8			
<b>ARI HEATING PERFORMANCE</b>												
Heating model	N04	N08	D06	D10	N06	N10	D06	D10	N08	N10	D06	D10
Heat input (K Btu)	50	100	75	115	75	125	75	125	100	125	75	125
Heat output (K Btu)	40	80	60.8	92	60	100	60.8	100.6	80	100	60.8	100.6
AFUE %	80.9	80.5	-	-	80.9	80.3	-	-	80.5	80.3	-	-
Steady state efficiency (%)	-	-	81.1	80.2	-	-	81.1	80.5	-	-	81.1	80.5
No. burners	2	4	3	5	3	5	3	5	4	5	3	5
No. stages	1	1	2	2	1	1	2	2	1	1	2	2
Temperature Rise Range (°F)	15-45	45-75	35-70	55-90	25-70	45-75	25-70	45-75	25-55	35-75	20-55	35-75
Gas Limit Setting (°F) - Direct Drive	240	170	210	200	210	165	210	165	170	165	210	165
Gas Limit Setting (°F) - Belt Drive	240	210	240	200	240	210	240	210	210	210	210	210
Gas piping connection (in.)	1/2	1/2	1/2	1/2	1/2	1/2	1/2	1/2	1/2	1/2	1/2	1/2
<b>DIMENSIONS (inches)</b>												
Length	82 1/4				82 1/4				82 1/4			
Width	44 7/8				44 7/8				44 7/8			
Height	32 5/8				32 5/8				32 5/8			
<b>OPERATING WT. (lbs.)</b>	575				585				590			
<b>COMPRESSORS</b>												
Type	Scroll				Scroll				Scroll			
Quantity	1				1				1			
Unit Capacity Steps (%)	100				100				100			
<b>CONDENSER COIL DATA</b>												
Face area (Sq. Ft.)	16.9				16.9				16.9			
Rows	2				2				2			
Fins per inch	18				18				18			
Tube diameter (in.)	3/8				3/8				3/8			
Circuitry Type	Split-face				Split-face				Split-face			
<b>EVAPORATOR COIL DATA</b>												
Face area (Sq. Ft.)	5.06				5.06				5.06			
Rows	3				3				4			
Fins per inch	13				13				13			
Tube diameter	0.375				0.375				0.375			
Circuitry Type	Split-face				Split-face				Split-face			
Refrigerant control	TXV				TXV				TXV			



**ZR036-060 Physical Data (Continued)**

Component	Models					
	ZR036		ZR048		ZR060	
Nominal Tonnage	3.0		4.0		5.0	
<b>CONDENSER FAN DATA</b>						
Quantity	1		1		1	
Fan diameter (Inch)	24		24		24	
Type	Prop		Prop		Prop	
Drive type	Direct Drive		Direct Drive		Direct Drive	
No. speeds	1		1		1	
Number of motors	1		1		1	
Motor HP each	1/2		1/2		1/2	
RPM	1090		1090		1090	
Nominal total CFM	4200		4200		4200	
<b>BELT DRIVE EVAP FAN DATA</b>						
Quantity	1		1		1	
Fan Size (Inch)	12 x 10		12 x 10		12 x 10	
Type	Centrifugal		Centrifugal		Centrifugal	
Motor Sheave	1VL44	1VP56	1VL44	1VP56	1VL44	1VP56
Blower Sheave	AK64	AK66	AK56	AK61	AK56	AK56
Belt	A37	A39	A36	A38	A36	A38
Motor HP each	1-1/2	1-1/2	1-1/2	1-1/2	1-1/2	2
RPM	1725		1725		1725	
Frame size	56		56		56	
<b>DIRECT DRIVE EVAP FAN DATA</b>						
Quantity	1		1		1	
Fan Size (Inch)	12 x 10		12 x 10		12 x 10	
Type	Centrifugal		Centrifugal		Centrifugal	
Motor HP each	1/2		1		1	
RPM	1050		1050		1050	
<b>FILTERS</b>						
15" x 20" x 1" or 2"	2		2		2	
14" x 25" x 1" or 2"	1		1		1	

**NOTE:** All 2 Stage Gas Heat, 60% Capacity 1<sup>st</sup> Stage, 40% Capacity 2<sup>nd</sup> Stage.

**XP036-060 Physical Data**

Component	Models		
	XP036	XP048	XP060
<b>Nominal Tonnage</b>	<b>3.0</b>	<b>4.0</b>	<b>5.0</b>
<b>ARI COOLING PERFORMANCE</b>			
Gross Capacity @ ARI A point (Btu)	36200	48500	60100
ARI net capacity (Btu)	35000	46500	57500
EER	11.0	10.8	10.6
SEER	13.0	13.0	13.0
Nominal CFM	1200	1600	1850
System power (KW)	3.25	4.26	5.42
Refrigerant type	R-410A	R-410A	R-410A
Refrigerant charge (lb-oz)	13-0	13-0	12-10
<b>ARI HEATING PERFORMANCE</b>			
47°F capacity rating (MBH)	34800	45000	56500
System power (KW) / COP	3.29 (kW) / 3.10	4.06 (kW) / 3.25	5.4 (kW) / 3.10
17°F capacity rating (MBH)	19000	27000	34400
System power (KW) / COP	2.60 (kW) / 2.15	3.86 (kW) / 2.06	4.75 (kW) / 2.10
HSPF (Btu/Watts-hr)	7.70	7.70	7.70
<b>DIMENSIONS (inches)</b>			
Length	82-1/4	82-1/4	82-1/4
Width	44-7/8	44-7/8	44-7/8
Height	32-5/8	32-5/8	32-5/8
<b>OPERATING WT. (lbs.)</b>	<b>575</b>	<b>585</b>	<b>590</b>
<b>COMPRESSORS</b>			
Type	Scroll	Scroll	Scroll
Quantity	1	1	1
<b>CONDENSER COIL DATA</b>			
Face area (Sq. Ft.)	16.88	16.88	16.88
Rows	2	2	2
Fins per inch	18	18	18
Tube diameter	3/8	3/8	3/8
Circuitry Type	Split-face	Split-face	Split-face
<b>EVAPORATOR COIL DATA</b>			
Face area (Sq. Ft.)	5.06	5.06	5.06
Rows	4	4	4
Fins per inch	13	13	13
Tube diameter	0.375	0.375	0.375
Circuitry Type	Split-face	Split-face	Split-face
Refrigerant control	TXV	TXV	TXV

## XP036-060 Physical Data (Continued)

Component	Models					
	XP036		XP048		XP060	
Nominal Tonnage	3.0		4.0		5.0	
<b>CONDENSER FAN DATA</b>						
Quantity	1		1		1	
Fan diameter (Inch)	24		24		24	
Type	Prop		Prop		Prop	
Drive type	Direct Drive		Direct Drive		Direct Drive	
No. speeds	1		1		1	
Number of motors	1		1		1	
Motor HP each	1/4		1/2		1/2	
RPM	850		1090		1090	
Nominal total CFM	3275		4200		4200	
<b>BELT DRIVE EVAP FAN DATA</b>						
Quantity	1		1		1	
Fan Size (Inch)	12 x 10		12 x 10		12 x 10	
Type	Centrifugal		Centrifugal		Centrifugal	
Motor Sheave	1VL44	1VP56	1VL44	1VP56	1VL44	1VP56
Blower Sheave	AK64	AK66	AK56	AK61	AK56	AK56
Belt	A37	A39	A36	A38	A36	A38
Motor HP each	1-1/2	1-1/2	1-1/2	1-1/2	1-1/2	2
RPM	1725		1725		1725	
Frame size	56		56		56	
<b>DIRECT DRIVE EVAP FAN DATA</b>						
Quantity	1		1		1	
Fan Size (Inch)	12 x 10		12 x 10		12 x 10	
Type	Centrifugal		Centrifugal		Centrifugal	
Motor HP each	3/4		1		1	
RPM	1050		1050		1050	
<b>FILTERS</b>						
15" x 20" x 1" or 2"	2		2		2	
14" x 25" x 1" or 2"	1		1		1	

**ZF/ZR/XP036-060 Unit Limitations**

Size (Tons)	Unit Voltage	Unit Limitations		
		Applied Voltage		Outdoor DB Temp
		Min	Max	Max (°F)
ZF/ZR/XP036 (3.0)	208/230-1-60	187	252	125
	208/230-3-60	187	252	125
	460-3-60	432	504	125
	575-3-60	540	630	125
ZF/ZR/XP048 (4.0)	208/230-1-60	187	252	125
	208/230-3-60	187	252	125
	460-3-60	432	504	125
	575-3-60	540	630	125
ZF/ZR/XP060 (5.0)	208/230-1-60	187	252	125
	208/230-3-60	187	252	125
	460-3-60	432	504	125
	575-3-60	540	630	125
ZF072 (6.0)	208/230-3-60	187	252	125
	460-3-60	432	504	125
	575-3-60	540	630	125

# Capacity Performance

## ZF036-072 Cooling Capacities

### ZF036 (3.0 Ton)

Air on Evaporator Coil		Temperature of Air on Condenser Coil															
CFM	WB (°F)	Total Capacity <sup>1</sup> (MBh)	Total Input (kW) <sup>2</sup>	Sensible Capacity (MBh)						Total Capacity <sup>1</sup> (MBh)	Total Input (kW) <sup>2</sup>	Sensible Capacity (MBh)					
				Return Dry Bulb (°F)								Return Dry Bulb (°F)					
				90	85	80	75	70	65			90	85	80	75	70	65
				75°F						85°F							
750	77	47.8	2.3	20.0	16.9	13.9	-	-	-	45.4	2.6	18.5	15.5	12.5	-	-	-
	72	43.9	2.3	24.9	21.9	18.8	15.8	-	-	41.2	2.6	23.4	20.4	17.3	14.3	-	-
	67	40.0	2.3	29.9	26.8	23.8	20.7	17.7	-	37.1	2.6	28.2	25.2	22.2	19.2	16.2	-
	62	36.1	2.3	36.1	31.9	28.8	25.8	22.7	19.6	33.5	2.6	33.5	30.7	26.9	23.9	20.9	17.8
900	77	50.0	2.3	22.3	18.7	15.1	-	-	-	47.3	2.6	20.8	17.2	13.7	-	-	-
	72	45.9	2.3	27.7	24.1	20.5	16.9	-	-	43.0	2.6	26.1	22.6	19.0	15.5	-	-
	67	41.8	2.3	33.1	29.5	25.9	22.3	18.8	-	38.6	2.6	31.4	27.9	24.3	20.8	17.3	-
	62	37.8	2.3	37.8	35.0	31.4	27.8	24.3	20.7	34.9	2.6	34.9	33.0	29.5	26.0	22.4	18.9
	57	35.7	2.3	35.7	35.7	33.4	29.8	26.2	22.6	33.9	2.5	33.9	33.9	31.1	27.6	24.1	20.6
1050	77	52.2	2.3	24.6	20.5	16.4	-	-	-	49.3	2.6	23.0	19.0	14.9	-	-	-
	72	47.9	2.3	30.4	26.3	22.2	18.1	-	-	44.7	2.6	28.8	24.8	20.7	16.7	-	-
	67	43.7	2.3	36.3	32.2	28.1	24.0	19.9	-	40.2	2.6	34.6	30.5	26.5	22.5	18.4	-
	62	39.5	2.3	39.5	38.1	34.0	29.9	25.8	21.7	36.3	2.6	36.3	35.4	32.1	28.1	24.0	20.0
	57	37.3	2.3	37.3	37.3	36.1	32.0	27.9	23.8	35.3	2.6	35.3	35.3	33.9	29.9	25.8	21.8
1200	77	54.5	2.3	26.9	22.3	17.6	-	-	-	51.2	2.6	25.2	20.7	16.2	-	-	-
	72	50.0	2.3	33.2	28.5	23.9	19.3	-	-	46.5	2.6	31.5	26.9	22.4	17.9	-	-
	67	45.5	2.3	39.4	34.8	30.2	25.6	21.0	-	41.8	2.6	37.7	33.2	28.7	24.1	19.6	-
	62	41.1	2.3	41.1	41.1	36.6	32.0	27.4	22.8	37.7	2.6	37.7	37.7	34.7	30.2	25.6	21.1
	57	38.9	2.3	38.9	38.9	38.9	34.3	29.7	25.0	36.7	2.6	36.7	36.7	36.7	32.1	27.6	23.0
1350	72	51.2	2.3	36.0	30.8	25.6	20.4	-	-	47.6	2.6	34.1	29.0	23.9	18.9	-	-
	67	46.6	2.3	43.5	37.5	32.3	27.1	21.9	-	42.7	2.6	40.7	35.7	30.6	25.6	20.5	-
	62	42.1	2.3	42.1	42.1	39.8	34.6	29.4	24.2	38.6	2.6	38.6	38.6	37.1	32.0	26.9	21.8
	57	39.8	2.3	39.8	39.8	39.8	34.6	29.4	24.2	37.5	2.6	37.5	37.5	37.5	32.4	27.3	22.3
1500	72	52.3	2.3	38.9	33.1	27.3	21.5	-	-	48.6	2.6	36.7	31.1	25.5	19.9	-	-
	67	47.6	2.3	47.6	40.2	34.4	28.6	22.8	-	43.7	2.6	43.7	38.2	32.6	27.0	21.4	-
	62	43.0	2.3	43.0	43.0	43.0	37.3	31.5	25.7	39.4	2.6	39.4	39.4	39.4	33.8	28.2	22.6
	57	40.7	2.3	40.7	40.7	40.7	34.9	29.1	23.3	38.3	2.6	38.3	38.3	38.3	32.7	27.1	21.5
				95°F						105°F							
750	77	43.1	2.8	17.1	14.1	11.1	-	-	-	39.1	3.1	15.0	12.7	9.8	-	-	-
	72	38.6	2.8	21.8	18.8	15.9	12.9	-	-	35.0	3.0	20.4	17.4	14.5	11.6	-	-
	67	34.2	2.8	26.5	23.6	20.6	17.6	14.7	-	30.8	3.0	25.7	22.1	19.2	16.3	13.4	-
	62	30.8	2.8	30.8	29.4	24.9	22.0	19.0	16.0	28.0	2.9	28.0	27.3	22.7	19.8	16.9	14.0
900	77	44.7	2.8	19.2	15.8	12.3	-	-	-	40.4	3.1	17.7	14.3	10.9	-	-	-
	72	40.1	2.8	24.5	21.0	17.5	14.1	-	-	36.2	3.1	22.9	19.5	16.1	12.7	-	-
	67	35.5	2.8	29.7	26.2	22.8	19.3	15.8	-	31.9	3.0	28.1	24.7	21.3	17.9	14.5	-
	62	32.0	2.8	32.0	31.0	27.6	24.1	20.6	17.2	28.9	3.0	28.9	28.4	25.2	21.8	18.3	14.9
	57	32.1	2.8	32.1	32.1	28.9	25.4	22.0	18.5	29.4	3.0	29.4	29.4	26.2	22.8	19.4	16.0
1050	77	46.3	2.8	21.4	17.5	13.5	-	-	-	41.8	3.1	20.4	15.9	11.9	-	-	-
	72	41.5	2.8	27.2	23.2	19.2	15.2	-	-	37.4	3.1	25.5	21.6	17.7	13.7	-	-
	67	36.8	2.8	32.9	28.9	24.9	21.0	17.0	-	32.9	3.0	30.6	27.3	23.4	19.5	15.6	-
	62	33.1	2.8	33.1	32.7	30.2	26.2	22.3	18.3	29.9	3.0	29.9	29.6	27.6	23.7	19.8	15.9
	57	33.3	2.8	33.3	33.3	31.7	27.7	23.7	19.8	30.4	3.0	30.4	30.4	28.8	24.9	21.0	17.0
1200	77	47.9	2.9	23.6	19.1	14.7	-	-	-	43.1	3.1	23.1	17.4	13.0	-	-	-
	72	43.0	2.8	29.8	25.4	20.9	16.4	-	-	38.6	3.1	28.1	23.7	19.2	14.8	-	-
	67	38.0	2.8	36.1	31.6	27.1	22.7	18.2	-	34.0	3.1	33.0	29.9	25.5	21.0	16.6	-
	62	34.3	2.8	34.3	34.3	32.8	28.4	23.9	19.4	30.8	3.0	30.8	30.8	30.1	25.7	21.2	16.8
	57	34.4	2.8	34.4	34.4	34.4	30.0	25.5	21.0	31.4	3.0	31.4	31.4	31.4	26.9	22.5	18.1
1350	72	44.0	2.8	32.2	27.2	22.3	17.3	-	-	39.4	3.1	29.8	24.9	20.1	15.2	-	-
	67	38.9	2.8	37.9	33.9	28.9	24.0	19.0	-	34.7	3.1	34.2	31.4	26.5	21.7	16.8	-
	62	35.0	2.8	35.0	35.0	34.3	29.4	24.4	19.5	31.4	3.0	31.4	31.4	31.0	26.1	21.3	16.4
	57	35.2	2.8	35.2	35.2	35.2	30.2	25.3	20.3	32.0	3.0	32.0	32.0	31.9	27.0	22.2	17.3
1500	72	44.9	2.9	34.6	29.1	23.7	18.3	-	-	40.1	3.1	31.5	26.2	20.9	15.5	-	-
	67	39.7	2.8	39.7	36.2	30.8	25.3	19.9	-	35.4	3.1	35.4	32.9	27.6	22.3	16.9	-
	62	35.8	2.8	35.8	35.8	35.8	30.4	24.9	19.5	32.1	3.0	32.1	32.1	31.9	26.6	21.3	15.9
	57	36.0	2.8	36.0	36.0	36.0	30.5	25.1	19.6	32.6	3.0	32.6	32.6	32.5	27.2	21.8	16.5

ZF036 (3.0 Ton) (Continued)

Air on Evaporator Coil		Temperature of Air on Condenser Coil															
CFM	WB (°F)	Total Capacity <sup>1</sup> (MBh)	Total Input (kW) <sup>2</sup>	Sensible Capacity (MBh)						Total Capacity <sup>1</sup> (MBh)	Total Input (kW) <sup>2</sup>	Sensible Capacity (MBh)					
				Return Dry Bulb (°F)								Return Dry Bulb (°F)					
				90	85	80	75	70	65			90	85	80	75	70	65
				115°F						125°F							
750	77	35.1	3.4	12.9	11.4	8.5	-	-	-	31.2	3.6	10.8	9.7	7.2	-	-	-
	72	31.3	3.3	18.9	16.0	13.2	10.3	-	-	27.7	3.5	17.5	14.6	11.8	9.0	-	-
	67	27.5	3.2	24.9	20.7	17.9	15.0	12.1	-	24.1	3.4	24.1	19.3	16.5	13.7	10.9	-
	62	25.1	3.1	25.1	25.1	20.5	17.7	14.8	11.9	22.2	3.3	22.2	22.2	18.3	15.5	12.7	9.9
900	77	36.2	3.4	16.2	12.8	9.4	-	-	-	31.9	3.7	14.9	11.3	8.0	-	-	-
	72	32.3	3.3	21.4	18.0	14.6	11.3	-	-	28.3	3.6	19.8	16.5	13.2	9.9	-	-
	67	28.3	3.2	26.6	23.2	19.8	16.5	13.1	-	24.7	3.4	24.7	21.7	18.4	15.1	11.8	-
	62	25.8	3.2	25.8	25.8	22.8	19.4	16.1	12.7	22.8	3.3	22.8	22.8	20.4	17.1	13.8	10.5
	57	26.7	3.2	26.7	26.7	23.6	20.2	16.8	13.5	24.0	3.4	24.0	24.0	20.9	17.6	14.3	11.0
1050	77	37.2	3.4	19.4	14.3	10.4	-	-	-	32.7	3.7	19.1	12.9	8.8	-	-	-
	72	33.2	3.3	23.9	20.0	16.1	12.2	-	-	29.0	3.6	22.2	18.4	14.6	10.7	-	-
	67	29.1	3.3	28.3	25.7	21.8	18.0	14.1	-	25.3	3.5	25.3	24.1	20.3	16.5	12.6	-
	62	26.6	3.2	26.6	26.6	25.1	21.2	17.3	13.5	23.3	3.4	23.3	23.3	22.5	18.7	14.9	11.0
	57	27.5	3.2	27.5	27.5	25.9	22.1	18.2	14.3	24.6	3.4	24.6	24.6	23.0	19.2	15.4	11.6
1200	77	38.3	3.4	22.7	15.7	11.3	-	-	-	33.5	3.7	23.2	14.6	9.7	-	-	-
	72	34.1	3.4	26.3	21.9	17.6	13.2	-	-	29.7	3.6	24.6	20.2	15.9	11.6	-	-
	67	30.0	3.3	30.0	28.2	23.8	19.4	15.1	-	25.9	3.5	25.9	25.9	22.2	17.8	13.5	-
	62	27.3	3.2	27.3	27.3	23.0	23.0	18.6	14.2	23.9	3.4	23.9	23.9	23.9	20.3	15.9	11.6
	57	28.3	3.2	28.3	28.3	23.9	23.9	19.5	15.1	25.2	3.4	25.2	25.2	25.2	20.9	16.5	12.2
1350	72	34.8	3.4	27.4	22.6	17.8	13.0	-	-	30.2	3.6	25.0	20.3	15.6	10.8	-	-
	67	30.5	3.3	30.5	28.9	24.1	19.3	14.5	-	26.3	3.5	26.3	26.3	21.7	17.0	12.3	-
	62	27.9	3.2	27.9	27.9	27.7	22.9	18.1	13.3	24.3	3.4	24.3	24.3	24.3	19.7	14.9	10.2
	57	28.8	3.2	28.8	28.8	28.7	23.8	19.0	14.2	25.6	3.4	25.6	25.6	25.4	20.6	15.9	11.2
1500	72	35.4	3.4	28.5	23.3	18.0	12.8	-	-	30.6	3.6	25.5	20.3	15.2	10.1	-	-
	67	31.1	3.3	31.1	29.7	24.4	19.2	14.0	-	26.7	3.5	26.7	26.4	21.3	16.2	11.0	-
	62	28.4	3.2	28.4	28.4	28.1	22.8	17.6	12.4	24.6	3.4	24.6	24.6	24.2	19.1	13.9	8.8
	57	29.3	3.2	29.3	29.3	29.0	23.8	18.5	13.3	26.0	3.4	26.0	26.0	25.6	20.4	15.3	10.1

1. These capacities are gross ratings. For net capacity, deduct air blower motor, MBh = 3.415 x kW. Refer to the appropriate Blower Performance Table for the kW of the supply air blower motor.
2. These ratings include the condenser fan motors (total 1 kW) and the compressor motors but not the supply air blower motor.

ZF048 (4.0 Ton)

Air on Evaporator Coil		Temperature of Air on Condenser Coil															
CFM	WB (°F)	Total Capacity <sup>1</sup> (MBh)	Total Input (kW) <sup>2</sup>	Sensible Capacity (MBh)						Total Capacity <sup>1</sup> (MBh)	Total Input (kW) <sup>2</sup>	Sensible Capacity (MBh)					
				Return Dry Bulb (°F)								Return Dry Bulb (°F)					
				90	85	80	75	70	65			90	85	80	75	70	65
				75°F						85°F							
1000	77	62.7	2.8	24.5	20.6	16.7	-	-	-	58.6	3.2	23.0	19.2	15.3	-	-	-
	72	57.1	2.8	31.1	27.2	23.3	19.4	-	-	53.5	3.2	29.6	25.8	22.0	18.2	-	-
	67	51.5	2.8	37.7	33.8	29.9	26.0	22.1	-	48.5	3.2	36.3	32.5	28.7	24.9	21.1	-
	62	48.1	2.8	48.1	40.3	36.4	32.5	28.7	24.8	44.7	3.2	44.7	39.0	34.6	30.8	27.0	23.2
1200	77	63.8	2.9	26.8	22.4	18.1	-	-	-	60.0	3.2	25.3	21.0	16.7	-	-	-
	72	58.1	2.8	33.9	29.6	25.2	20.9	-	-	54.8	3.2	32.6	28.3	24.0	19.7	-	-
	67	52.4	2.8	41.0	36.7	32.4	28.0	23.7	-	49.6	3.2	39.8	35.5	31.2	26.9	22.6	-
	62	49.0	2.8	49.0	43.8	39.4	35.1	30.7	26.4	45.7	3.2	45.7	42.0	37.7	33.4	29.1	24.8
1400	77	64.9	2.9	29.0	24.2	19.5	-	-	-	61.4	3.2	27.7	22.9	18.1	-	-	-
	72	59.1	2.8	36.7	31.9	27.1	22.4	-	-	56.1	3.2	35.5	30.7	25.9	21.1	-	-
	67	53.3	2.8	44.4	39.6	34.8	30.0	25.3	-	50.8	3.2	43.4	38.6	33.8	29.0	24.2	-
	62	49.8	2.8	49.8	47.2	42.4	37.6	32.8	28.1	46.8	3.2	46.8	44.9	40.7	35.9	31.1	26.4
1600	77	66.0	2.9	31.3	26.1	20.8	-	-	-	62.8	3.3	30.0	24.7	19.4	-	-	-
	72	60.1	2.8	39.5	34.3	29.0	23.8	-	-	57.4	3.2	38.5	33.2	27.9	22.6	-	-
	67	54.2	2.8	47.7	42.5	37.3	32.0	26.8	-	51.9	3.2	46.9	41.6	36.3	31.0	25.7	-
	62	50.7	2.8	50.7	50.7	45.4	40.2	34.9	29.7	47.9	3.2	47.9	47.9	43.8	38.5	33.2	27.9
1800	72	61.9	2.9	42.4	36.7	31.0	25.3	-	-	58.7	3.2	41.1	35.4	29.6	23.9	-	-
	67	55.9	2.8	51.6	45.5	39.8	34.1	28.3	-	53.1	3.2	50.1	44.3	38.6	32.8	27.1	-
	62	52.2	2.8	52.2	52.2	48.8	43.1	37.4	31.7	49.0	3.2	49.0	49.0	46.6	40.8	35.1	29.3
	57	50.3	2.8	50.3	50.3	50.3	44.6	38.9	33.2	48.3	3.2	48.3	48.3	48.3	42.6	36.8	31.1
2000	72	63.7	2.9	45.4	39.2	33.0	26.8	-	-	59.9	3.2	43.8	37.6	31.4	25.2	-	-
	67	57.5	2.8	55.5	48.5	42.3	36.1	29.9	-	54.3	3.2	53.3	47.1	40.9	34.7	28.5	-
	62	53.7	2.8	53.7	53.7	52.3	46.1	39.9	33.7	50.0	3.2	50.0	50.0	49.3	43.1	36.9	30.7
	57	51.8	2.8	51.8	51.8	51.8	45.6	39.4	33.2	49.4	3.2	49.4	49.4	49.4	43.2	37.0	30.8
				95°F						105°F							
1000	77	54.4	3.6	21.4	17.7	14.0	-	-	-	51.0	4.1	20.3	16.6	13.0	-	-	-
	72	49.9	3.6	28.1	24.4	20.7	17.0	-	-	46.8	4.1	26.9	23.2	19.5	15.9	-	-
	67	45.4	3.6	34.8	31.1	27.4	23.7	20.0	-	42.5	4.1	33.5	29.8	26.1	22.5	18.8	-
	62	41.2	3.6	41.2	37.7	32.7	29.0	25.3	21.6	38.5	4.1	38.5	36.7	31.4	27.7	24.0	20.3
1200	77	56.1	3.6	23.9	19.6	15.3	-	-	-	52.5	4.1	22.7	18.4	14.2	-	-	-
	72	51.5	3.6	31.2	27.0	22.7	18.4	-	-	48.1	4.1	29.9	25.7	21.4	17.2	-	-
	67	46.8	3.6	38.6	34.3	30.1	25.8	21.5	-	43.8	4.1	37.1	32.9	28.7	24.4	20.2	-
	62	42.5	3.6	42.5	40.2	35.9	31.6	27.4	23.1	39.6	4.1	39.6	38.4	34.4	30.2	26.0	21.7
1400	77	57.8	3.6	26.3	21.5	16.7	-	-	-	54.0	4.1	25.0	20.2	15.5	-	-	-
	72	53.0	3.6	34.3	29.5	24.7	19.9	-	-	49.5	4.1	32.8	28.1	23.3	18.6	-	-
	67	48.2	3.6	42.3	37.5	32.7	27.9	23.1	-	45.0	4.1	40.7	36.0	31.2	26.4	21.7	-
	62	43.8	3.6	43.8	42.6	39.1	34.3	29.4	24.6	40.7	4.1	40.7	40.2	37.4	32.7	27.9	23.1
1600	77	59.5	3.6	28.8	23.4	18.0	-	-	-	55.5	4.1	27.3	22.0	16.7	-	-	-
	72	54.6	3.6	37.4	32.1	26.7	21.3	-	-	50.9	4.1	35.8	30.5	25.2	19.9	-	-
	67	49.6	3.6	46.1	40.7	35.3	30.0	24.6	-	46.3	4.1	44.3	39.0	33.7	28.4	23.1	-
	62	45.1	3.6	45.1	45.1	42.2	36.9	31.5	26.2	41.9	4.1	41.9	41.9	40.5	35.2	29.9	24.6
1800	72	55.4	3.6	39.8	34.0	28.3	22.5	-	-	51.5	4.1	38.2	32.5	26.8	21.0	-	-
	67	50.4	3.6	48.6	43.2	37.4	31.6	25.8	-	46.9	4.1	45.9	41.5	35.8	30.1	24.3	-
	62	45.7	3.6	45.7	45.7	44.3	38.5	32.7	26.9	42.4	4.1	42.4	42.4	41.7	35.9	30.2	24.5
	57	46.4	3.5	46.4	46.4	46.4	40.6	34.8	29.0	43.4	4.0	43.4	43.4	43.4	37.7	32.0	26.2
2000	72	56.1	3.6	42.2	36.0	29.8	23.6	-	-	52.1	4.1	40.7	34.5	28.3	22.2	-	-
	67	51.1	3.6	51.1	45.7	39.5	33.3	27.0	-	47.4	4.1	47.4	44.0	37.9	31.7	25.6	-
	62	46.4	3.6	46.4	46.4	46.4	40.1	33.9	27.7	42.9	4.1	42.9	42.9	42.9	36.7	30.6	24.4
	57	47.0	3.5	47.0	47.0	47.0	40.8	34.6	28.4	43.9	4.0	43.9	43.9	43.9	37.8	31.6	25.4

ZF048 (4.0 Ton) (Continued)

Air on Evaporator Coil		Temperature of Air on Condenser Coil															
CFM	WB (°F)	Total Capacity <sup>1</sup> (MBh)	Total Input (kW) <sup>2</sup>	Sensible Capacity (MBh)						Total Capacity <sup>1</sup> (MBh)	Total Input (kW) <sup>2</sup>	Sensible Capacity (MBh)					
				Return Dry Bulb (°F)								Return Dry Bulb (°F)					
				90	85	80	75	70	65			90	85	80	75	70	65
				115°F						125°F							
1000	77	47.5	4.7	19.2	15.6	11.9	-	-	-	44.0	5.2	17.5	14.5	10.9	-	-	-
	72	43.6	4.6	25.7	22.0	18.4	14.7	-	-	40.4	5.1	24.5	20.9	17.2	13.6	-	-
	67	39.7	4.6	32.2	28.5	24.9	21.2	17.6	-	36.8	5.1	30.8	27.2	23.6	20.0	16.4	-
	62	35.7	4.6	35.7	35.7	30.0	26.3	22.7	19.0	33.0	5.1	33.0	33.0	28.6	25.0	21.4	17.7
1200	77	48.8	4.7	21.4	17.3	13.1	-	-	-	45.1	5.2	20.2	16.1	11.9	-	-	-
	72	44.8	4.6	28.5	24.4	20.2	16.0	-	-	41.4	5.1	27.2	23.1	18.9	14.8	-	-
	67	40.8	4.6	35.6	31.5	27.3	23.1	18.9	-	37.7	5.1	34.2	30.0	25.9	21.7	17.6	-
	62	36.7	4.6	36.7	36.7	32.9	28.7	24.5	20.3	33.8	5.1	33.8	33.8	31.4	27.2	23.1	19.0
	57	38.0	4.5	38.0	38.0	34.1	29.9	25.7	21.5	35.5	5.0	35.5	35.5	31.7	27.5	23.4	19.3
1400	77	50.1	4.6	23.7	18.9	14.2	-	-	-	46.2	5.2	22.9	17.7	13.0	-	-	-
	72	46.0	4.6	31.4	26.7	22.0	17.2	-	-	42.5	5.1	29.9	25.2	20.6	15.9	-	-
	67	41.9	4.6	39.1	34.4	29.7	25.0	20.3	-	38.7	5.1	37.5	32.8	28.2	23.5	18.8	-
	62	37.7	4.6	37.7	37.7	35.8	31.1	26.4	21.7	34.7	5.1	34.7	34.7	34.1	29.5	24.8	20.2
	57	39.1	4.5	39.1	39.1	37.1	32.4	27.7	22.9	36.4	5.0	36.4	36.4	34.5	29.8	25.2	20.5
1600	77	51.4	4.6	25.9	20.6	15.4	-	-	-	47.4	5.1	25.6	19.2	14.1	-	-	-
	72	47.2	4.6	34.2	29.0	23.7	18.5	-	-	43.5	5.1	32.6	27.4	22.2	17.1	-	-
	67	42.9	4.6	42.6	37.3	32.1	26.8	21.6	-	39.6	5.1	39.6	35.6	30.4	25.3	20.1	-
	62	38.7	4.6	38.7	38.7	38.7	33.4	28.2	23.0	35.5	5.1	35.5	35.5	35.5	31.7	26.6	21.4
	57	40.1	4.5	40.1	40.1	40.1	34.8	29.6	24.4	37.3	5.0	37.3	37.3	37.3	32.1	26.9	21.7
1800	72	47.6	4.6	36.6	31.0	25.3	19.6	-	-	43.7	5.1	35.0	29.4	23.8	18.2	-	-
	67	43.3	4.6	43.2	39.9	34.2	28.5	22.8	-	39.8	5.1	39.8	38.2	32.6	27.0	21.4	-
	62	39.0	4.6	39.0	39.0	39.0	33.4	27.7	22.0	35.7	5.1	35.7	35.7	35.7	30.8	25.2	19.6
	57	40.5	4.5	40.5	40.5	40.5	34.8	29.1	23.4	37.5	5.0	37.5	37.5	37.5	31.9	26.3	20.7
2000	72	48.1	4.6	39.1	33.0	26.9	20.8	-	-	44.0	5.1	37.5	31.4	25.4	19.3	-	-
	67	43.7	4.6	43.7	42.4	36.3	30.2	24.1	-	40.1	5.1	40.1	40.1	34.7	28.7	22.6	-
	62	39.4	4.6	39.4	39.4	39.4	33.3	27.2	21.1	35.9	5.1	35.9	35.9	35.9	29.9	23.8	17.8
	57	40.8	4.5	40.8	40.8	40.8	34.7	28.6	22.5	37.7	5.0	37.7	37.7	37.7	31.7	25.6	19.6

1. These capacities are gross ratings. For net capacity, deduct air blower motor, MBh = 3.415 x kW. Refer to the appropriate Blower Performance Table for the kW of the supply air blower motor.
2. These ratings include the condenser fan motors (total 1 kW) and the compressor motors but not the supply air blower motor.



**ZF060 (5.0 Ton)**

Air on Evaporator Coil		Temperature of Air on Condenser Coil																	
CFM	WB (°F)	Total Capacity <sup>1</sup> (MBh)	Total Input (kW) <sup>2</sup>	Sensible Capacity (MBh)						Total Capacity <sup>1</sup> (MBh)	Total Input (kW) <sup>2</sup>	Sensible Capacity (MBh)							
				Return Dry Bulb (°F)								Return Dry Bulb (°F)							
				90	85	80	75	70	65			90	85	80	75	70	65		
				<b>75°F</b>								<b>85°F</b>							
1250	77	72.8	3.8	29.2	24.7	20.2	-	-	-	71.9	4.2	28.3	23.6	19.0	-	-	-		
	72	65.9	3.7	37.2	32.7	28.3	23.8	-	-	64.8	4.1	36.4	31.8	27.1	22.5	-	-		
	67	59.1	3.6	45.2	40.8	36.3	31.9	27.4	-	57.6	4.1	44.6	39.9	35.3	30.6	26.0	-		
	62	53.1	3.6	53.1	51.1	44.9	40.4	36.0	31.5	52.5	4.1	52.5	50.3	43.1	38.5	33.8	29.1		
1500	77	76.9	3.8	32.9	27.6	22.2	-	-	-	74.1	4.2	31.6	26.2	20.8	-	-	-		
	72	69.6	3.7	41.8	36.4	31.1	25.7	-	-	66.8	4.1	40.6	35.2	29.7	24.3	-	-		
	67	62.3	3.6	50.7	45.3	40.0	34.6	29.2	-	59.4	4.1	49.5	44.1	38.7	33.3	27.8	-		
	62	56.1	3.6	56.1	54.7	49.4	44.0	38.7	33.3	54.1	4.1	54.1	52.7	47.3	41.8	36.4	31.0		
1750	77	80.9	3.8	36.6	30.5	24.2	-	-	-	76.3	4.2	35.0	28.8	22.6	-	-	-		
	72	73.3	3.7	46.4	40.2	33.9	27.6	-	-	68.7	4.1	44.7	38.5	32.3	26.1	-	-		
	67	65.6	3.6	56.2	49.8	43.6	37.3	31.1	-	61.2	4.1	54.5	48.3	42.1	35.9	29.7	-		
	62	59.0	3.6	59.0	58.4	53.9	47.6	41.3	35.1	55.8	4.1	55.8	55.0	51.4	45.2	39.0	32.8		
2000	77	85.0	3.8	40.3	33.4	26.2	-	-	-	78.5	4.2	38.4	31.4	24.4	-	-	-		
	72	76.9	3.7	51.0	43.9	36.7	29.6	-	-	70.7	4.1	48.9	41.9	34.9	28.0	-	-		
	67	68.9	3.6	61.7	54.4	47.2	40.1	32.9	-	63.0	4.1	59.4	52.4	45.5	38.5	31.5	-		
	62	62.0	3.6	62.0	62.0	58.3	51.2	44.0	36.9	57.4	4.1	57.4	57.4	55.5	48.6	41.6	34.6		
2250	77	77.7	3.7	55.4	47.5	39.6	31.7	-	-	71.7	4.1	53.1	45.4	37.7	29.9	-	-		
	72	69.5	3.6	66.0	58.9	50.9	43.0	35.1	-	63.8	4.1	62.0	56.7	49.0	41.3	33.6	-		
	67	62.6	3.6	62.6	62.6	60.8	52.9	45.0	37.1	58.1	4.1	58.1	58.1	57.2	49.5	41.8	34.1		
	62	60.2	3.6	60.2	60.2	60.2	52.3	44.4	36.5	56.5	4.0	56.5	56.5	56.5	48.7	41.0	33.3		
2500	77	78.5	3.7	59.9	51.2	42.5	33.9	-	-	72.6	4.1	57.4	48.9	40.4	31.9	-	-		
	72	70.2	3.6	70.2	63.3	54.7	46.0	37.3	-	64.6	4.1	64.6	61.0	52.6	44.1	35.6	-		
	67	63.2	3.6	63.2	63.2	63.2	54.6	45.9	37.2	58.9	4.1	58.9	58.9	58.9	50.4	41.9	33.5		
	62	60.8	3.6	60.8	60.8	60.8	52.1	43.5	34.8	57.2	4.0	57.2	57.2	57.2	48.7	40.3	31.8		
				<b>95°F</b>								<b>105°F</b>							
1250	77	71.0	4.6	27.3	22.6	17.7	-	-	-	68.5	5.2	24.3	21.0	16.2	-	-	-		
	72	63.6	4.6	35.7	30.8	26.0	21.2	-	-	60.9	5.2	34.1	29.3	24.5	19.7	-	-		
	67	56.2	4.6	44.1	39.1	34.3	29.4	24.6	-	53.4	5.2	44.0	37.6	32.9	28.1	23.3	-		
	62	52.0	4.6	52.0	49.6	41.3	36.5	31.6	26.8	49.6	5.2	49.6	46.3	38.1	33.3	28.5	23.7		
1500	77	71.3	4.6	30.4	24.9	19.4	-	-	-	68.0	5.2	28.6	23.1	17.7	-	-	-		
	72	63.9	4.6	39.4	33.9	28.4	22.9	-	-	60.6	5.2	37.7	32.2	26.8	21.3	-	-		
	67	56.5	4.6	48.4	42.9	37.4	31.9	26.4	-	53.1	5.2	46.8	41.3	35.9	30.4	25.0	-		
	62	52.2	4.6	52.2	50.6	45.1	39.6	34.1	28.7	49.3	5.2	49.3	47.1	41.6	36.2	30.7	25.3		
1750	77	71.7	4.6	33.4	27.1	21.0	-	-	-	67.6	5.2	32.9	25.3	19.2	-	-	-		
	72	64.2	4.6	43.1	36.9	30.8	24.6	-	-	60.2	5.2	41.2	35.1	29.0	22.9	-	-		
	67	56.8	4.6	52.7	46.7	40.6	34.4	28.3	-	52.7	5.2	49.6	45.0	38.9	32.8	26.7	-		
	62	52.5	4.6	52.5	51.7	48.9	42.8	36.7	30.5	49.0	5.2	49.0	47.9	45.1	39.0	32.9	26.8		
2000	77	72.0	4.6	36.4	29.4	22.6	-	-	-	67.1	5.1	37.2	27.4	20.7	-	-	-		
	72	64.5	4.6	46.7	40.0	33.2	26.4	-	-	59.8	5.2	44.8	38.0	31.3	24.6	-	-		
	67	57.1	4.6	57.1	50.5	43.7	36.9	30.1	-	52.4	5.2	52.4	48.7	41.9	35.2	28.4	-		
	62	52.7	4.6	52.7	52.7	52.7	45.9	39.2	32.4	48.6	5.2	48.6	48.6	48.6	41.9	35.1	28.4		
2250	77	65.7	4.6	50.8	43.3	35.7	28.2	-	-	60.7	5.1	48.8	41.3	33.8	26.4	-	-		
	72	58.1	4.6	58.1	54.6	47.1	39.5	32.0	-	53.2	5.2	53.2	51.3	45.3	37.8	30.4	-		
	67	53.6	4.6	53.6	53.6	53.6	46.1	38.6	31.0	49.4	5.2	49.4	49.4	49.4	41.9	34.4	27.0		
	62	52.7	4.5	52.7	52.7	52.7	45.2	37.7	30.1	49.0	5.1	49.0	49.0	49.0	41.5	34.0	26.5		
2500	77	66.8	4.6	54.9	46.6	38.3	30.0	-	-	61.6	5.1	52.7	44.5	36.3	28.2	-	-		
	72	59.1	4.6	59.1	58.7	50.4	42.1	33.9	-	54.0	5.2	54.0	53.8	48.7	40.5	32.3	-		
	67	54.6	4.6	54.6	54.6	54.6	46.3	38.0	29.7	50.1	5.1	50.1	50.1	50.1	41.9	33.7	25.6		
	62	53.6	4.5	53.6	53.6	53.6	45.3	37.0	28.8	49.7	5.1	49.7	49.7	49.7	41.5	33.3	25.1		

**ZF060 (5.0 Ton) (Continued)**

Air on Evaporator Coil		Temperature of Air on Condenser Coil															
CFM	WB (°F)	Total Capacity <sup>1</sup> (MBh)	Total Input (kW) <sup>2</sup>	Sensible Capacity (MBh)						Total Capacity <sup>1</sup> (MBh)	Total Input (kW) <sup>2</sup>	Sensible Capacity (MBh)					
				Return Dry Bulb (°F)								Return Dry Bulb (°F)					
				90	85	80	75	70	65			90	85	80	75	70	65
				<b>115°F</b>						<b>125°F</b>							
1250	77	66.0	5.8	21.2	19.4	14.6	-	-	-	63.5	6.3	18.1	16.8	13.1	-	-	-
	72	58.3	5.8	32.5	27.8	23.1	18.3	-	-	55.6	6.4	30.9	26.3	21.6	16.9	-	-
	67	50.6	5.9	43.8	36.2	31.5	26.7	22.0	-	47.8	6.5	43.7	34.7	30.1	25.4	20.7	-
	62	47.2	5.8	47.2	43.0	34.9	30.2	25.4	20.7	44.8	6.5	44.8	39.7	31.7	27.0	22.3	17.6
1500	77	64.7	5.7	26.8	21.4	16.0	-	-	-	61.4	6.3	25.0	19.7	14.3	-	-	-
	72	57.2	5.8	36.0	30.6	25.2	19.8	-	-	53.8	6.4	34.3	28.9	23.6	18.2	-	-
	67	49.6	5.8	45.1	39.8	34.4	29.0	23.6	-	46.2	6.5	43.5	38.2	32.8	27.5	22.1	-
	62	46.3	5.8	46.3	43.5	38.1	32.7	27.3	21.9	43.4	6.4	43.4	40.0	34.6	29.3	23.9	18.6
	57	46.4	5.8	46.4	43.6	38.2	32.8	27.4	22.0	43.9	6.4	43.9	40.4	35.1	29.7	24.4	19.0
1750	77	63.5	5.7	32.4	23.4	17.3	-	-	-	59.4	6.3	31.9	22.5	15.5	-	-	-
	72	56.1	5.8	39.4	33.4	27.3	21.2	-	-	52.0	6.4	37.6	31.6	25.6	19.5	-	-
	67	48.7	5.8	46.4	43.3	37.3	31.2	25.1	-	44.6	6.4	43.3	41.6	35.6	29.6	23.6	-
	62	45.4	5.8	45.4	44.0	41.3	35.3	29.2	23.2	41.9	6.4	41.9	40.2	37.5	31.5	25.5	19.5
	57	45.5	5.8	45.5	44.1	41.4	35.3	29.3	23.2	42.5	6.4	42.5	40.7	38.0	32.0	26.0	20.0
2000	77	62.3	5.7	38.0	25.4	18.7	-	-	-	57.4	6.3	38.7	25.4	16.7	-	-	-
	72	55.0	5.7	42.9	36.1	29.4	22.7	-	-	50.2	6.3	40.9	34.2	27.5	20.9	-	-
	67	47.7	5.8	47.7	46.9	40.2	33.4	26.7	-	43.1	6.4	43.1	43.1	38.4	31.7	25.0	-
	62	44.5	5.8	44.5	44.5	44.5	37.8	31.1	24.4	40.5	6.4	40.5	40.5	40.5	33.8	27.1	20.4
	57	44.6	5.7	44.6	44.6	44.6	37.9	31.2	24.5	41.0	6.3	41.0	41.0	41.0	34.3	27.6	21.0
2250	72	55.7	5.7	46.7	39.3	31.9	24.5	-	-	50.7	6.3	44.7	37.4	30.0	22.7	-	-
	67	48.4	5.8	48.4	47.9	43.6	36.2	28.7	-	43.5	6.4	43.5	43.5	41.8	34.5	27.1	-
	62	45.1	5.8	45.1	45.1	45.1	37.7	30.3	22.9	40.9	6.4	40.9	40.9	40.9	33.5	26.2	18.8
	57	45.2	5.7	45.2	45.2	45.2	37.8	30.4	23.0	41.4	6.3	41.4	41.4	41.4	34.1	26.7	19.4
2500	72	56.4	5.7	50.6	42.5	34.4	26.3	-	-	51.2	6.2	48.5	40.5	32.5	24.5	-	-
	67	49.0	5.7	49.0	49.0	47.0	38.9	30.8	-	43.9	6.3	43.9	43.9	43.9	37.2	29.2	-
	62	45.7	5.7	45.7	45.7	45.7	37.6	29.5	21.4	41.3	6.3	41.3	41.3	41.3	33.3	25.3	17.3
	57	45.8	5.7	45.8	45.8	45.8	37.7	29.6	21.5	41.8	6.3	41.8	41.8	41.8	33.8	25.8	17.8

1. These capacities are gross ratings. For net capacity, deduct air blower motor, MBh = 3.415 x kW. Refer to the appropriate Blower Performance Table for the kW of the supply air blower motor.
2. These ratings include the condenser fan motors (total 1 kW) and the compressor motors but not the supply air blower motor.

**ZF072 (6.0 Ton)**

Air on Evaporator Coil		Temperature of Air on Condenser Coil																	
CFM	WB (°F)	Total Capacity <sup>1</sup> (MBh)	Total Input (kW) <sup>2</sup>	Sensible Capacity (MBh)						Total Capacity <sup>1</sup> (MBh)	Total Input (kW) <sup>2</sup>	Sensible Capacity (MBh)							
				Return Dry Bulb (°F)								Return Dry Bulb (°F)							
				90	85	80	75	70	65			90	85	80	75	70	65		
				<b>75°F</b>						<b>85°F</b>									
1800	77	79.0	4.7	34.3	28.0	21.7	-	-	-	75.7	5.2	33.1	26.7	20.2	-	-	-		
	72	76.3	4.6	45.4	39.1	32.8	26.5	-	-	71.8	5.2	44.1	37.7	31.3	24.9	-	-		
	67	73.6	4.6	56.5	50.3	44.0	37.7	31.4	-	67.9	5.1	55.1	48.7	42.3	35.9	29.5	-		
	62	68.3	4.5	68.3	62.8	55.5	49.3	43.0	36.7	63.4	5.0	63.4	60.7	53.2	46.8	40.3	33.9		
2000	77	80.9	5.0	35.7	29.4	23.0	-	-	-	77.9	5.6	34.8	28.2	21.7	-	-	-		
	72	78.2	5.0	47.5	41.2	34.8	28.4	-	-	73.9	5.5	46.6	40.0	33.4	26.9	-	-		
	67	75.4	4.9	59.3	53.0	46.6	40.2	33.8	-	69.9	5.4	58.3	51.8	45.2	38.7	32.1	-		
	62	70.0	4.8	70.0	66.3	58.9	52.5	46.1	39.7	65.3	5.3	65.3	63.4	56.9	50.3	43.8	37.2		
2200	77	82.8	5.4	37.2	30.8	24.3	-	-	-	80.1	5.9	36.4	29.7	23.1	-	-	-		
	72	80.0	5.3	49.7	43.2	36.8	30.3	-	-	76.0	5.9	49.0	42.3	35.6	28.9	-	-		
	67	77.2	5.3	62.1	55.7	49.2	42.8	36.3	-	71.9	5.8	61.6	54.9	48.2	41.5	34.8	-		
	62	71.7	5.2	71.7	69.8	62.2	55.7	49.3	42.8	67.1	5.7	67.1	66.2	60.6	53.9	47.2	40.5		
2400	77	84.7	5.7	38.7	32.1	25.6	-	-	-	82.3	6.3	38.1	31.3	24.5	-	-	-		
	72	81.8	5.7	51.8	45.3	38.7	32.2	-	-	78.1	6.2	51.4	44.6	37.8	31.0	-	-		
	67	79.0	5.6	64.9	58.4	51.8	45.3	38.7	-	73.9	6.1	64.8	57.9	51.1	44.3	37.5	-		
	62	73.3	5.5	73.3	73.3	65.5	58.9	52.4	45.9	69.0	6.0	69.0	69.0	64.3	57.5	50.6	43.8		
2575	72	82.8	5.8	53.5	46.7	39.9	33.0	-	-	78.9	6.3	53.1	46.0	38.8	31.7	-	-		
	67	79.9	5.7	67.0	60.2	53.4	46.5	39.7	-	74.6	6.2	66.8	59.7	52.5	45.4	38.2	-		
	62	74.2	5.6	74.2	74.2	67.8	60.9	54.1	47.3	69.7	6.1	69.7	69.7	66.1	58.9	51.8	44.6		
	57	71.0	5.6	71.0	71.0	71.0	64.2	57.3	50.5	67.0	6.1	67.0	67.0	67.0	59.8	52.7	45.5		
2750	72	83.8	5.9	55.3	48.1	41.0	33.9	-	-	79.6	6.4	54.8	47.4	39.9	32.4	-	-		
	67	80.9	5.8	69.1	62.0	54.9	47.8	40.6	-	75.3	6.3	68.9	61.4	53.9	46.5	39.0	-		
	62	75.1	5.7	75.1	75.1	70.0	62.9	55.8	48.7	70.3	6.2	70.3	70.3	67.8	60.3	52.9	45.4		
	57	71.9	5.7	71.9	71.9	71.9	64.7	57.6	50.5	67.6	6.2	67.6	67.6	67.6	60.1	52.6	45.2		
				<b>95°F</b>						<b>105°F</b>									
1800	77	72.3	5.8	31.9	25.4	18.8	-	-	-	69.8	6.4	29.8	23.5	16.8	-	-	-		
	72	67.3	5.7	42.8	36.3	29.7	23.2	-	-	64.9	6.3	41.2	34.6	27.9	21.3	-	-		
	67	62.3	5.6	53.7	47.2	40.6	34.1	27.5	-	59.9	6.2	52.6	45.7	39.1	32.4	25.8	-		
	62	58.5	5.5	58.5	58.5	50.8	44.3	37.7	31.2	56.5	6.1	56.5	56.5	47.8	41.2	34.5	27.9		
2000	77	74.9	6.2	33.8	27.0	20.3	-	-	-	71.9	6.8	32.0	25.2	18.3	-	-	-		
	72	69.7	6.1	45.6	38.8	32.1	25.4	-	-	66.8	6.7	44.1	37.2	30.4	23.5	-	-		
	67	64.5	5.9	57.4	50.6	43.9	37.2	30.4	-	61.8	6.6	56.2	49.3	42.5	35.6	28.7	-		
	62	60.6	5.8	60.6	60.6	54.9	48.2	41.4	34.7	58.2	6.5	58.2	58.2	52.0	45.1	38.2	31.3		
2200	77	77.4	6.5	35.7	28.7	21.8	-	-	-	74.0	7.1	34.2	26.8	19.7	-	-	-		
	72	72.0	6.4	48.3	41.4	34.5	27.6	-	-	68.8	7.0	47.0	39.9	32.8	25.7	-	-		
	67	66.6	6.3	61.0	54.1	47.2	40.3	33.3	-	63.6	6.9	59.8	53.0	45.8	38.7	31.6	-		
	62	62.6	6.2	62.6	62.6	59.0	52.1	45.2	38.3	59.9	6.8	59.9	59.9	56.1	49.0	41.9	34.8		
2400	77	79.9	6.9	37.5	30.4	23.3	-	-	-	76.1	7.5	36.4	28.5	21.2	-	-	-		
	72	74.4	6.8	51.1	44.0	36.9	29.8	-	-	70.8	7.4	49.9	42.5	35.2	27.9	-	-		
	67	68.8	6.6	64.6	57.5	50.4	43.3	36.2	-	65.4	7.3	63.3	56.6	49.2	41.9	34.5	-		
	62	64.6	6.5	64.6	64.6	63.1	56.0	48.9	41.8	61.6	7.2	61.6	61.6	60.2	52.9	45.6	38.2		
2575	72	74.9	6.9	52.8	45.3	37.8	30.4	-	-	71.4	7.5	51.6	43.8	36.1	28.4	-	-		
	67	69.3	6.7	66.6	59.2	51.7	44.3	36.8	-	66.0	7.4	64.6	58.2	50.5	42.8	35.1	-		
	62	65.1	6.6	65.1	65.1	64.3	56.9	49.4	41.9	62.1	7.3	62.1	62.1	61.4	53.7	46.0	38.3		
	57	62.9	6.6	62.9	62.9	55.4	48.0	40.5	-	60.0	7.3	60.0	60.0	60.0	52.2	44.5	36.8		
2750	72	75.5	7.0	54.4	46.6	38.8	30.9	-	-	71.9	7.6	53.3	45.1	37.0	28.9	-	-		
	67	69.8	6.8	68.7	60.8	53.0	45.2	37.3	-	66.5	7.5	65.9	59.9	51.8	43.7	35.6	-		
	62	65.6	6.7	65.6	65.6	65.6	57.8	49.9	42.1	62.6	7.4	62.6	62.6	62.6	54.5	46.4	38.3		
	57	63.4	6.7	63.4	63.4	63.4	55.5	47.7	39.9	60.5	7.4	60.5	60.5	60.5	52.3	44.2	36.1		

**ZF072 (6.0 Ton) (Continued)**

Air on Evaporator Coil		Temperature of Air on Condenser Coil															
CFM	WB (°F)	Total Capacity <sup>1</sup> (MBh)	Total Input (kW) <sup>2</sup>	Sensible Capacity (MBh)						Total Capacity <sup>1</sup> (MBh)	Total Input (kW) <sup>2</sup>	Sensible Capacity (MBh)					
				Return Dry Bulb (°F)								Return Dry Bulb (°F)					
				90	85	80	75	70	65			90	85	80	75	70	65
				<b>115°F</b>						<b>125°F</b>							
1800	77	67.2	7.0	27.8	21.6	14.9	-	-	-	64.6	7.7	24.7	19.7	12.9	-	-	-
	72	62.4	6.9	39.7	32.9	26.2	19.4	-	-	59.9	7.6	38.1	31.3	24.4	17.6	-	-
	67	57.6	6.8	51.6	44.2	37.5	30.8	24.0	-	55.3	7.5	50.5	42.8	35.9	29.1	22.3	-
	62	54.4	6.7	54.4	54.4	44.8	38.1	31.3	24.6	52.3	7.4	52.3	52.3	41.8	35.0	28.2	21.3
2000	77	68.9	7.4	30.3	23.3	16.3	-	-	-	65.9	8.0	28.6	21.4	14.2	-	-	-
	72	64.0	7.3	42.7	35.7	28.6	21.6	-	-	61.2	7.9	41.2	34.1	26.9	19.7	-	-
	67	59.1	7.2	55.1	48.0	41.0	34.0	27.0	-	56.4	7.8	53.9	46.7	39.6	32.4	25.2	-
	62	55.8	7.1	55.8	55.8	49.0	42.0	35.0	28.0	53.4	7.7	53.4	53.4	46.1	38.9	31.7	24.6
	57	53.8	7.1	53.8	53.8	48.3	41.2	34.2	27.2	51.5	7.7	51.5	51.5	45.2	38.1	30.9	23.7
2200	77	70.6	7.8	32.8	24.9	17.6	-	-	-	67.2	8.4	32.5	23.1	15.6	-	-	-
	72	65.6	7.7	45.7	38.4	31.1	23.8	-	-	62.4	8.3	44.4	36.9	29.4	21.9	-	-
	67	60.6	7.6	58.5	51.8	44.5	37.2	29.9	-	57.5	8.2	57.3	50.7	43.2	35.7	28.2	-
	62	57.2	7.4	57.2	57.2	53.2	45.9	38.6	31.3	54.5	8.1	54.5	54.5	50.3	42.8	35.3	27.8
	57	55.2	7.4	55.2	55.2	52.4	45.1	37.8	30.5	52.5	8.1	52.5	52.5	49.4	41.9	34.4	26.9
2400	77	72.3	8.1	35.4	26.6	19.0	-	-	-	68.5	8.8	36.4	24.7	16.9	-	-	-
	72	67.2	8.0	48.7	41.1	33.5	25.9	-	-	63.6	8.7	47.5	39.7	31.8	24.0	-	-
	67	62.0	7.9	62.0	55.6	48.0	40.4	32.9	-	58.7	8.6	58.7	54.6	46.8	39.0	31.2	-
	62	58.6	7.8	58.6	58.6	57.4	49.8	42.2	34.6	55.5	8.4	55.5	55.5	54.6	46.7	38.9	31.1
	57	56.5	7.8	56.5	56.5	56.5	48.9	41.3	33.8	53.6	8.4	53.6	53.6	53.6	45.7	37.9	30.1
2575	72	67.8	8.1	50.4	42.4	34.4	26.4	-	-	64.2	8.8	49.2	41.0	32.7	24.5	-	-
	67	62.6	8.0	62.6	57.3	49.3	41.3	33.3	-	59.2	8.7	59.2	56.3	48.1	39.9	31.6	-
	62	59.1	7.9	59.1	59.1	58.5	50.5	42.6	34.6	56.1	8.5	56.1	56.1	55.6	47.4	39.1	30.9
	57	57.0	7.9	57.0	57.0	57.0	49.0	41.1	33.1	54.1	8.5	54.1	54.1	54.1	45.8	37.6	29.4
2750	72	68.4	8.2	52.1	43.7	35.3	26.9	-	-	64.9	8.8	50.9	42.3	33.6	24.9	-	-
	67	63.2	8.1	63.2	59.0	50.6	42.2	33.8	-	59.8	8.7	59.8	58.1	49.4	40.7	32.1	-
	62	59.6	8.0	59.6	59.6	59.6	51.3	42.9	34.5	56.7	8.6	56.7	56.7	56.7	48.0	39.3	30.7
	57	57.5	8.0	57.5	57.5	57.5	49.2	40.8	32.4	54.6	8.6	54.6	54.6	54.6	46.0	37.3	28.7

1. These capacities are gross ratings. For net capacity, deduct air blower motor, MBh = 3.415 x kW. Refer to the appropriate Blower Performance Table for the kW of the supply air blower motor.
2. These ratings include the condenser fan motors (total 1 kW) and the compressor motors but not the supply air blower motor.

**ZR036-060 Cooling and Reheat Capacities**

**ZR036 (3.0 Ton) Cooling**

Air on Evaporator Coil		Temperature of Air on Condenser Coil															
CFM	WB (°F)	Total Capacity <sup>1</sup> (MBh)	Total Input (kW) <sup>2</sup>	Sensible Capacity (MBh)						Total Capacity <sup>1</sup> (MBh)	Total Input (kW) <sup>2</sup>	Sensible Capacity (MBh)					
				Return Dry Bulb (°F)								Return Dry Bulb (°F)					
				90	85	80	75	70	65			90	85	80	75	70	65
				75°F						85°F							
750	77	47.7	2.2	18.6	15.8	12.9	-	-	-	44.6	2.5	17.4	14.6	11.8	-	-	
	72	43.3	2.2	23.6	20.7	17.9	15.0	-	-	40.5	2.5	22.4	19.6	16.7	13.9	-	
	67	39.0	2.2	28.5	25.7	22.8	20.0	17.1	-	36.4	2.5	27.3	24.5	21.7	18.8	16.0	
	62	35.0	2.2	35.0	29.6	27.0	24.1	21.3	18.4	32.9	2.5	32.9	29.0	25.8	23.0	20.2	17.4
900	77	49.9	2.2	21.0	17.6	14.2	-	-	-	46.4	2.5	19.6	16.3	13.0	-	-	
	72	45.4	2.2	26.4	23.0	19.6	16.2	-	-	42.2	2.5	25.0	21.7	18.4	15.1	-	
	67	40.8	2.2	31.8	28.4	25.1	21.7	18.3	-	37.9	2.5	30.4	27.1	23.8	20.5	17.2	
	62	36.7	2.2	36.7	33.0	29.7	26.3	22.9	19.5	34.3	2.5	34.3	31.7	28.3	25.0	21.7	18.4
	57	34.4	2.2	34.4	34.5	32.0	28.6	25.2	21.8	33.0	2.5	33.0	33.0	30.1	26.8	23.5	20.2
1050	77	52.1	2.2	23.3	19.4	15.5	-	-	-	48.2	2.5	21.8	18.0	14.2	-	-	
	72	47.4	2.2	29.2	25.3	21.4	17.5	-	-	43.8	2.5	27.7	23.9	20.1	16.2	-	
	67	42.6	2.2	35.1	31.2	27.3	23.4	19.5	-	39.4	2.5	33.6	29.8	26.0	22.1	18.3	
	62	38.3	2.2	38.3	36.5	32.3	28.4	24.5	20.6	35.6	2.5	35.6	34.3	30.9	27.1	23.3	19.5
	57	35.9	2.2	35.9	36.0	34.8	30.9	27.0	23.1	34.3	2.5	34.3	34.3	32.8	29.0	25.2	21.4
1200	77	54.3	2.2	25.6	21.2	16.7	-	-	-	50.0	2.5	24.0	19.7	15.3	-	-	
	72	49.4	2.2	32.0	27.6	23.1	18.7	-	-	45.4	2.5	30.3	26.0	21.7	17.4	-	
	67	44.4	2.2	38.4	34.0	29.5	25.1	20.7	-	40.8	2.5	36.7	32.4	28.1	23.8	19.5	
	62	39.9	2.2	39.9	39.9	35.0	30.5	26.1	21.7	36.9	2.5	36.9	36.9	33.5	29.1	24.8	20.5
	57	37.5	2.2	37.5	37.5	37.7	33.3	28.8	24.4	35.6	2.5	35.6	35.6	35.6	31.2	26.9	22.6
1350	72	49.8	2.2	34.4	29.5	24.6	19.7	-	-	45.8	2.5	32.6	27.9	23.1	18.3	-	
	67	44.8	2.2	41.8	36.3	31.4	26.6	21.7	-	41.2	2.5	39.1	34.6	29.9	25.1	20.4	
	62	40.2	2.2	40.2	40.2	37.8	32.9	28.0	23.1	37.2	2.5	37.2	37.2	35.5	30.7	26.0	21.2
	57	37.8	2.2	37.8	37.8	37.9	33.0	28.1	23.2	35.8	2.5	35.8	35.8	35.8	31.1	26.3	21.6
1500	72	50.2	2.2	36.8	31.5	26.1	20.8	-	-	46.2	2.5	34.9	29.7	24.5	19.3	-	
	67	45.1	2.2	45.1	38.7	33.3	28.0	22.7	-	41.5	2.5	41.5	36.9	31.7	26.4	21.2	
	62	40.6	2.2	40.6	40.6	40.6	35.2	29.9	24.6	37.5	2.5	37.5	37.5	37.5	32.3	27.1	21.9
	57	38.1	2.2	38.1	38.1	38.1	32.7	27.4	22.1	36.1	2.5	36.1	36.1	36.1	30.9	25.7	20.5
				95°F						105°F							
750	77	41.6	2.8	16.3	13.5	10.7	-	-	-	38.4	3.1	14.5	12.2	9.4	-	-	
	72	37.7	2.8	21.1	18.4	15.6	12.8	-	-	34.9	3.1	20.1	17.2	14.4	11.5	-	
	67	33.9	2.8	26.0	23.3	20.5	17.7	15.0	-	31.3	3.2	25.6	22.2	19.3	16.5	13.6	
	62	30.9	2.8	30.9	28.4	24.6	21.8	19.0	16.3	28.8	3.2	28.8	27.6	23.1	20.3	17.4	14.6
900	77	43.0	2.8	18.3	15.0	11.8	-	-	-	39.6	3.1	17.0	13.7	10.3	-	-	
	72	39.0	2.8	23.7	20.4	17.2	13.9	-	-	35.9	3.1	22.5	19.2	15.8	12.5	-	
	67	35.0	2.8	29.0	25.8	22.6	19.3	16.1	-	32.3	3.2	28.1	24.7	21.4	18.0	14.7	
	62	31.9	2.8	31.9	30.3	27.0	23.8	20.6	17.3	29.7	3.2	29.7	28.9	25.5	22.2	18.8	15.5
	57	31.6	2.8	31.6	31.5	28.3	25.0	21.8	18.6	29.6	3.2	29.6	29.5	26.1	22.8	19.4	16.1
1050	77	44.4	2.8	20.3	16.6	12.9	-	-	-	40.7	3.1	19.5	15.1	11.3	-	-	
	72	40.3	2.8	26.2	22.5	18.7	15.0	-	-	37.0	3.1	25.0	21.2	17.3	13.5	-	
	67	36.2	2.8	32.0	28.3	24.6	20.9	17.2	-	33.2	3.2	30.5	27.2	23.4	19.5	15.7	
	62	32.9	2.8	32.9	32.1	29.5	25.8	22.1	18.3	30.6	3.2	30.6	30.1	27.9	24.1	20.2	16.4
	57	32.6	2.8	32.6	32.6	30.8	27.1	23.4	19.7	30.4	3.2	30.4	30.4	28.6	24.8	20.9	17.1
1200	77	45.7	2.8	22.3	18.1	13.9	-	-	-	41.9	3.1	22.0	16.6	12.3	-	-	
	72	41.5	2.8	28.7	24.5	20.3	16.1	-	-	38.0	3.1	27.5	23.2	18.8	14.5	-	
	67	37.3	2.8	35.0	30.8	26.7	22.5	18.3	-	34.1	3.2	33.0	29.7	25.4	21.0	16.7	
	62	34.0	2.8	34.0	34.0	31.9	27.8	23.6	19.4	31.4	3.2	31.4	31.4	30.3	26.0	21.7	17.3
	57	33.7	2.8	33.7	33.7	33.4	29.2	25.0	20.8	31.3	3.2	31.3	31.3	31.1	26.7	22.4	18.0
1350	72	41.8	2.8	30.8	26.2	21.6	16.9	-	-	38.1	3.1	29.6	24.8	20.1	15.3	-	
	67	37.6	2.8	36.4	32.9	28.3	23.7	19.0	-	34.2	3.1	33.7	31.3	27.1	22.3	17.5	
	62	34.2	2.8	34.2	34.2	33.2	28.6	23.9	19.3	31.5	3.2	31.5	31.5	31.0	26.2	21.4	16.6
	57	33.9	2.8	33.9	33.9	33.8	29.1	24.5	19.9	31.4	3.2	31.4	31.4	31.3	26.5	21.7	16.9
1500	72	42.1	2.8	33.0	27.9	22.8	17.7	-	-	38.3	3.1	31.7	26.5	21.3	16.1	-	
	67	37.8	2.8	37.8	35.0	30.0	24.9	19.8	-	34.4	3.1	34.4	33.0	28.7	23.5	18.3	
	62	34.5	2.8	34.5	34.5	34.5	29.4	24.3	19.2	31.6	3.2	31.6	31.6	31.6	26.4	21.2	16.0
	57	34.1	2.8	34.1	34.1	34.1	29.1	24.0	18.9	31.5	3.2	31.5	31.5	31.5	26.3	21.1	15.8

**ZR036 (3.0 Ton) Cooling (Continued)**

Air on Evaporator Coil		Temperature of Air on Condenser Coil															
CFM	WB (°F)	Total Capacity <sup>1</sup> (MBh)	Total Input (kW) <sup>2</sup>	Sensible Capacity (MBh)						Total Capacity <sup>1</sup> (MBh)	Total Input (kW) <sup>2</sup>	Sensible Capacity (MBh)					
				Return Dry Bulb (°F)								Return Dry Bulb (°F)					
				90	85	80	75	70	65			90	85	80	75	70	65
				115°F						125°F							
750	77	35.3	3.5	12.8	10.9	8.0	-	-	-	32.1	3.9	10.5	9.6	6.6	-	-	-
	72	32.0	3.5	19.0	16.0	13.1	10.1	-	-	29.2	3.9	17.9	14.8	11.8	8.8	-	-
	67	28.8	3.5	25.1	21.1	18.2	15.2	12.3	-	26.2	3.9	24.9	20.0	17.0	14.0	11.0	-
	62	26.8	3.5	26.8	26.8	21.7	18.7	15.8	12.9	24.8	3.9	24.8	24.8	20.2	17.2	14.2	11.2
900	77	36.2	3.5	15.8	12.3	8.9	-	-	-	32.8	3.9	14.5	10.9	7.4	-	-	-
	72	32.8	3.5	21.4	18.0	14.5	11.0	-	-	29.8	3.9	20.3	16.7	13.2	9.6	-	-
	67	29.5	3.5	27.1	23.6	20.2	16.7	13.2	-	26.8	3.9	26.1	22.5	19.0	15.4	11.8	-
	62	27.5	3.5	27.5	27.5	24.0	20.6	17.1	13.7	25.3	3.9	25.3	25.3	22.5	19.0	15.4	11.8
	57	27.6	3.5	27.6	27.5	24.0	20.6	17.1	13.6	25.6	3.9	25.6	25.4	21.9	18.3	14.8	11.2
1050	77	37.1	3.5	18.7	13.7	9.7	-	-	-	33.5	3.9	18.5	12.3	8.1	-	-	-
	72	33.7	3.5	23.9	19.9	15.9	11.9	-	-	30.4	3.9	22.7	18.6	14.5	10.4	-	-
	67	30.2	3.5	29.0	26.1	22.1	18.2	14.2	-	27.3	3.9	27.3	25.0	20.9	16.8	12.7	-
	62	28.2	3.5	28.2	28.2	26.4	22.4	18.4	14.5	25.8	3.9	25.8	25.8	24.8	20.7	16.6	12.5
	57	28.3	3.5	28.3	28.2	26.4	22.4	18.4	14.4	26.1	3.9	26.1	26.0	24.1	20.0	15.9	11.8
1200	77	38.0	3.5	21.7	15.1	10.6	-	-	-	34.1	3.9	22.5	13.6	8.9	-	-	-
	72	34.5	3.5	26.3	21.8	17.3	12.8	-	-	31.0	3.9	25.2	20.5	15.9	11.2	-	-
	67	31.0	3.5	31.0	28.6	24.1	19.6	15.1	-	27.8	3.9	27.8	27.5	22.8	18.2	13.5	-
	62	28.9	3.5	28.9	28.9	28.7	24.2	19.7	15.2	26.3	3.9	26.3	26.3	26.3	22.5	17.8	13.2
	57	28.9	3.5	28.9	28.9	28.7	24.2	19.7	15.2	26.6	3.9	26.6	26.6	26.4	21.7	17.1	12.4
1350	72	34.4	3.5	28.4	23.5	18.6	13.6	-	-	30.7	3.9	27.2	22.2	17.1	12.0	-	-
	67	30.9	3.5	30.9	29.7	25.8	20.9	15.9	-	27.6	3.9	27.6	27.6	24.5	19.5	14.4	-
	62	28.8	3.5	28.8	28.8	28.8	23.8	18.9	14.0	26.2	3.9	26.2	26.2	26.2	21.5	16.4	11.3
	57	28.9	3.5	28.9	28.9	28.8	23.9	18.9	14.0	26.4	3.9	26.4	26.4	26.3	21.2	16.1	11.0
1500	72	34.4	3.5	30.5	25.2	19.8	14.4	-	-	30.5	3.8	29.3	23.8	18.3	12.8	-	-
	67	30.9	3.5	30.9	30.9	27.5	22.1	16.8	-	27.4	3.8	27.4	27.4	26.3	20.7	15.2	-
	62	28.8	3.5	28.8	28.8	28.8	23.4	18.1	12.7	26.0	3.9	26.0	26.0	26.0	20.5	14.9	9.4
	57	28.9	3.5	28.9	28.9	28.9	23.5	18.1	12.8	26.2	3.9	26.2	26.2	26.2	20.7	15.2	9.7

1. These capacities are gross ratings. For net capacity, deduct air blower motor, MBh = 3.415 x kW. Refer to the appropriate Blower Performance Table for the kW of the supply air blower motor.
2. These ratings include the condenser fan motors (total 1 kW) and the compressor motors but not the supply air blower motor.

ZR036 (3.0 Ton) Reheat

Air on Evaporator Coil		Temperature of Air on Condenser Coil																	
CFM	WB (°F)	Total Capacity <sup>1</sup> (MBh)	Total Input (kW) <sup>2</sup>	Sensible Capacity (MBh)						Total Capacity <sup>1</sup> (MBh)	Total Input (kW) <sup>2</sup>	Sensible Capacity (MBh)							
				Return Dry Bulb (°F)								Return Dry Bulb (°F)							
				90	85	80	75	70	65			90	85	80	75	70	65		
				45°F								55°F							
750	77	22.7	1.7	8.8	7.2	5.6	-	-	-	28.2	1.9	11.2	9.7	8.1	-	-	-		
	72	24.7	1.6	13.5	11.9	10.3	8.7	-	-	28.2	1.8	15.1	13.6	12.0	10.4	-	-		
	67	26.7	1.6	18.2	16.6	15.1	13.5	11.9	-	28.3	1.8	19.0	17.5	15.9	14.3	12.7	-		
	62	27.2	1.6	22.3	20.7	19.2	17.6	16.0	14.4	27.0	1.8	22.3	20.7	19.1	17.5	16.0	14.4		
900	77	22.5	1.7	9.0	7.4	5.8	-	-	-	29.1	1.8	12.0	10.3	8.6	-	-	-		
	72	24.6	1.6	14.0	12.4	10.7	9.1	-	-	29.2	1.8	16.2	14.5	12.8	11.1	-	-		
	67	26.7	1.6	19.0	17.4	15.7	14.1	12.5	-	29.3	1.8	20.3	18.6	16.9	15.2	13.5	-		
	62	27.4	1.6	23.3	21.7	20.1	18.5	16.9	15.2	27.9	1.8	23.8	22.1	20.4	18.7	17.0	15.3		
1050	77	22.3	1.7	9.2	7.6	5.9	-	-	-	30.1	1.8	12.8	11.0	9.2	-	-	-		
	72	24.5	1.6	14.5	12.8	11.2	9.5	-	-	30.1	1.8	17.2	15.4	13.6	11.8	-	-		
	67	26.8	1.6	19.7	18.1	16.4	14.8	13.1	-	30.2	1.8	21.6	19.8	18.0	16.2	14.3	-		
	62	27.5	1.6	24.3	22.6	21.0	19.4	17.7	16.1	28.8	1.8	25.3	23.5	21.7	19.9	18.0	16.2		
1200	77	22.1	1.6	9.4	7.8	6.1	-	-	-	31.0	1.8	13.6	11.6	9.7	-	-	-		
	72	24.5	1.6	15.0	13.3	11.6	9.9	-	-	31.1	1.8	18.3	16.3	14.4	12.4	-	-		
	67	26.9	1.6	20.5	18.8	17.1	15.4	13.8	-	31.2	1.8	22.9	21.0	19.1	17.1	15.2	-		
	62	27.7	1.6	25.3	23.6	21.9	20.2	18.6	16.9	29.7	1.8	26.8	24.9	23.0	21.0	19.1	17.1		
1350	77	24.1	1.6	14.9	13.2	11.6	10.0	-	-	31.2	1.8	18.6	16.6	14.7	12.7	-	-		
	72	26.5	1.6	20.4	18.8	17.2	15.5	13.9	-	31.3	1.8	23.4	21.4	19.5	17.5	15.5	-		
	67	27.4	1.6	25.3	23.7	22.0	20.4	18.8	17.1	29.8	1.8	27.4	25.4	23.4	21.5	19.5	17.5		
	62	27.4	1.6	25.3	23.7	22.0	20.4	18.8	17.1	29.8	1.8	27.4	25.4	23.4	21.5	19.5	17.5		
1500	77	23.7	1.6	14.8	13.2	11.6	10.0	-	-	31.3	1.8	18.9	17.0	15.0	13.0	-	-		
	72	26.1	1.6	20.4	18.8	17.2	15.6	14.1	-	31.4	1.8	23.8	21.8	19.9	17.9	15.9	-		
	67	27.1	1.6	25.3	23.8	22.2	20.6	19.0	17.4	30.0	1.8	27.9	25.9	23.9	21.9	20.0	18.0		
	62	27.1	1.6	25.3	23.8	22.2	20.6	19.0	17.4	30.0	1.8	27.9	25.9	23.9	21.9	20.0	18.0		
750	77	33.6	2.0	13.7	12.1	10.6	-	-	-	33.7	2.3	13.1	11.6	10.1	-	-	-		
	72	31.8	2.0	16.8	15.2	13.6	12.1	-	-	31.1	2.3	15.9	14.4	12.9	11.4	-	-		
	67	29.9	2.0	19.9	18.3	16.7	15.1	13.6	-	28.4	2.3	18.7	17.2	15.7	14.2	12.7	-		
	62	26.7	2.0	22.2	20.7	19.1	17.5	15.9	14.4	24.7	2.3	20.7	19.2	17.7	16.2	14.7	13.2		
900	77	35.7	2.0	15.1	13.3	11.5	-	-	-	35.7	2.3	14.4	12.7	11.0	-	-	-		
	72	33.8	2.0	18.4	16.6	14.8	13.0	-	-	32.9	2.3	17.5	15.8	14.0	12.3	-	-		
	67	31.8	2.0	21.7	19.9	18.1	16.3	14.6	-	30.1	2.3	20.6	18.8	17.1	15.4	13.7	-		
	62	28.4	2.0	24.3	22.5	20.7	18.9	17.1	15.4	26.2	2.3	22.7	21.0	19.2	17.5	15.8	14.1		
1050	77	37.9	2.0	16.4	14.4	12.4	-	-	-	37.7	2.3	15.7	13.8	11.8	-	-	-		
	72	35.7	2.0	20.0	18.0	16.0	14.0	-	-	34.7	2.3	19.1	17.1	15.2	13.2	-	-		
	67	33.6	2.0	23.6	21.6	19.6	17.6	15.6	-	31.8	2.3	22.4	20.4	18.5	16.5	14.6	-		
	62	30.1	2.0	26.4	24.4	22.4	20.3	18.3	16.3	27.7	2.3	24.7	22.7	20.8	18.8	16.9	14.9		
1200	77	40.0	2.0	17.7	15.5	13.3	-	-	-	39.7	2.3	17.1	14.9	12.7	-	-	-		
	72	37.7	2.0	21.6	19.4	17.1	14.9	-	-	36.6	2.3	20.7	18.5	16.3	14.1	-	-		
	67	35.5	2.0	25.4	23.2	21.0	18.8	16.5	-	33.5	2.3	24.2	22.0	19.9	17.7	15.5	-		
	62	31.8	2.0	28.4	26.2	24.0	21.8	19.5	17.3	29.1	2.3	26.7	24.5	22.4	20.2	18.0	15.8		
1350	77	27.3	2.0	27.3	27.3	27.3	25.1	22.9	20.7	24.5	2.3	24.5	24.5	24.5	22.3	20.2	18.0		
	72	38.4	2.0	22.3	20.0	17.7	15.4	-	-	37.5	2.3	21.6	19.3	17.0	14.7	-	-		
	67	36.1	2.0	26.3	24.0	21.7	19.4	17.1	-	34.3	2.3	25.3	23.0	20.7	18.4	16.1	-		
	62	32.3	2.0	29.4	27.1	24.8	22.5	20.2	18.0	29.9	2.3	27.9	25.6	23.3	21.0	18.7	16.4		
1500	77	27.8	2.0	27.8	27.8	27.8	25.5	23.2	20.9	25.1	2.2	25.1	25.1	25.1	22.8	20.5	18.2		
	72	39.0	2.0	23.1	20.7	18.3	16.0	-	-	38.5	2.3	22.5	20.1	17.7	15.3	-	-		
	67	36.7	2.0	27.2	24.8	22.5	20.1	17.7	-	35.2	2.3	26.4	24.0	21.6	19.1	16.7	-		
	62	32.8	2.0	30.4	28.0	25.7	23.3	21.0	18.6	30.6	2.3	29.1	26.7	24.2	21.8	19.4	17.0		
57	28.3	2.0	28.3	28.3	28.3	25.9	23.5	21.2	25.7	2.2	25.7	25.7	25.7	23.3	20.9	18.5			

**ZR036 (3.0 Ton) Reheat (Continued)**

Air on Evaporator Coil		Temperature of Air on Condenser Coil															
CFM	WB (°F)	Total Capacity <sup>1</sup> (MBh)	Total Input (kW) <sup>2</sup>	Sensible Capacity (MBh)						Total Capacity <sup>1</sup> (MBh)	Total Input (kW) <sup>2</sup>	Sensible Capacity (MBh)					
				Return Dry Bulb (°F)								Return Dry Bulb (°F)					
				90	85	80	75	70	65			90	85	80	75	70	65
				85°F						95°F							
750	77	33.8	2.5	12.4	11.0	9.6	-	-	-	33.9	2.8	11.8	10.4	9.1	-	-	-
	72	30.4	2.5	15.0	13.6	12.2	10.7	-	-	29.7	2.8	14.1	12.8	11.4	10.1	-	-
	67	27.0	2.5	17.6	16.2	14.7	13.3	11.9	-	25.5	2.8	16.5	15.1	13.8	12.4	11.1	-
	62	22.8	2.5	19.1	17.7	16.3	14.9	13.4	12.0	20.8	2.8	17.6	16.2	14.9	13.5	12.2	10.8
900	77	35.7	2.5	13.8	12.1	10.4	-	-	-	35.6	2.8	13.1	11.5	9.9	-	-	-
	72	32.1	2.5	16.6	14.9	13.3	11.6	-	-	31.2	2.8	15.7	14.1	12.5	10.9	-	-
	67	28.5	2.5	19.4	17.7	16.1	14.4	12.8	-	26.8	2.8	18.2	16.6	15.0	13.5	11.9	-
	62	24.0	2.5	21.1	19.4	17.8	16.1	14.4	12.8	21.8	2.8	19.5	17.9	16.3	14.7	13.1	11.5
	57	19.7	2.5	19.7	19.7	18.6	17.0	15.3	13.6	17.3	2.7	17.3	17.3	16.1	14.5	12.9	11.3
1050	77	37.5	2.5	15.1	13.2	11.3	-	-	-	37.3	2.8	14.5	12.6	10.8	-	-	-
	72	33.7	2.5	18.2	16.3	14.4	12.5	-	-	32.7	2.8	17.2	15.4	13.6	11.7	-	-
	67	29.9	2.5	21.2	19.3	17.4	15.5	13.6	-	28.1	2.8	20.0	18.2	16.3	14.5	12.7	-
	62	25.2	2.5	23.0	21.1	19.2	17.3	15.4	13.5	22.8	2.8	21.4	19.5	17.7	15.8	14.0	12.2
	57	20.7	2.5	20.7	20.7	20.2	18.3	16.4	14.5	18.1	2.7	18.1	18.1	17.5	15.7	13.8	12.0
1200	77	39.4	2.5	16.4	14.3	12.2	-	-	-	39.1	2.8	15.8	13.7	11.6	-	-	-
	72	35.4	2.5	19.7	17.6	15.5	13.3	-	-	34.2	2.8	18.8	16.7	14.6	12.5	-	-
	67	31.4	2.5	23.0	20.9	18.8	16.6	14.5	-	29.4	2.8	21.8	19.7	17.6	15.5	13.5	-
	62	26.5	2.5	25.0	22.9	20.7	18.6	16.4	14.3	23.9	2.8	23.3	21.2	19.1	17.0	14.9	12.8
	57	21.7	2.5	21.7	21.7	21.7	19.6	17.4	15.3	18.9	2.7	18.9	18.9	18.9	16.8	14.7	12.6
1350	72	36.6	2.5	20.9	18.6	16.2	13.9	-	-	35.8	2.8	20.1	17.8	15.5	13.2	-	-
	67	32.5	2.5	24.3	22.0	19.7	17.4	15.1	-	30.7	2.8	23.3	21.0	18.7	16.4	14.0	-
	62	27.4	2.5	26.4	24.1	21.8	19.5	17.1	14.8	25.0	2.7	24.9	22.6	20.2	17.9	15.6	13.3
	57	22.5	2.5	22.5	22.5	20.2	17.8	15.5	-	19.8	2.7	19.8	19.8	19.8	17.5	15.2	12.8
1500	72	37.9	2.5	22.0	19.5	17.0	14.5	-	-	37.3	2.7	21.5	18.9	16.4	13.8	-	-
	67	33.6	2.5	25.6	23.1	20.6	18.2	15.7	-	32.1	2.7	24.8	22.3	19.7	17.2	14.6	-
	62	28.4	2.5	27.8	25.3	22.8	20.3	17.8	15.3	26.1	2.7	26.1	23.9	21.4	18.8	16.3	13.7
	57	23.2	2.5	23.2	23.2	23.2	20.7	18.3	15.8	20.7	2.7	20.7	20.7	20.7	18.2	15.6	13.1

1. These capacities are gross ratings. For net capacity, deduct air blower motor, MBh = 3.415 x kW. Refer to the appropriate Blower Performance Table for the kW of the supply air blower motor.
2. These ratings include the condenser fan motors (total 1 kW) and the compressor motors but not the supply air blower motor.



**ZR048 (4.0 Ton) Cooling**

Air on Evaporator Coil		Temperature of Air on Condenser Coil															
CFM	WB (°F)	Total Capacity <sup>1</sup> (MBh)	Total Input (kW) <sup>2</sup>	Sensible Capacity (MBh)						Total Capacity <sup>1</sup> (MBh)	Total Input (kW) <sup>2</sup>	Sensible Capacity (MBh)					
				Return Dry Bulb (°F)								Return Dry Bulb (°F)					
				90	85	80	75	70	65			90	85	80	75	70	65
				75°F						85°F							
1000	77	60.5	2.9	22.7	18.5	14.4	-	-	-	57.1	3.3	21.6	17.7	13.7	-	-	-
	72	55.0	2.9	29.9	25.8	21.7	17.6	-	-	51.9	3.3	28.6	24.6	20.6	16.6	-	-
	67	49.5	2.9	37.2	33.1	29.0	24.8	20.7	-	46.6	3.3	35.5	31.5	27.6	23.6	19.6	-
	62	44.3	2.9	44.3	39.0	34.3	30.2	26.0	21.9	41.6	3.3	41.6	38.9	33.6	29.6	25.6	21.7
1200	77	64.0	2.9	25.8	21.0	16.2	-	-	-	59.9	3.3	24.4	19.8	15.2	-	-	-
	72	58.1	2.9	34.0	29.1	24.3	19.5	-	-	54.4	3.3	32.1	27.5	22.8	18.2	-	-
	67	52.3	2.9	42.1	37.3	32.5	27.6	22.8	-	48.9	3.3	39.8	35.2	30.5	25.9	21.2	-
	62	46.8	2.9	46.8	43.3	38.5	33.6	28.8	24.0	43.7	3.3	43.7	41.9	37.2	32.6	27.9	23.3
1400	77	67.4	2.9	29.0	23.4	17.9	-	-	-	62.7	3.3	27.2	21.9	16.6	-	-	-
	72	61.3	2.9	38.0	32.5	26.9	21.4	-	-	57.0	3.3	35.7	30.4	25.1	19.8	-	-
	67	55.2	2.9	47.1	41.5	36.0	30.4	24.9	-	51.2	3.3	44.1	38.8	33.5	28.2	22.9	-
	62	49.3	2.9	49.3	47.6	42.6	37.1	31.6	26.0	45.7	3.3	45.7	44.8	40.8	35.5	30.2	24.9
1600	77	70.9	2.9	32.1	25.9	19.6	-	-	-	65.6	3.3	30.0	24.1	18.1	-	-	-
	72	64.4	2.9	42.1	35.8	29.6	23.3	-	-	59.5	3.3	39.2	33.2	27.3	21.3	-	-
	67	58.0	2.9	52.0	45.7	39.5	33.2	27.0	-	53.5	3.3	48.4	42.4	36.4	30.5	24.5	-
	62	51.9	2.9	51.9	51.9	46.8	40.6	34.3	28.1	47.8	3.3	47.8	47.8	44.4	38.5	32.5	26.5
1800	77	65.7	2.9	45.1	38.2	31.3	24.4	-	-	60.7	3.3	42.1	35.6	29.0	22.5	-	-
	72	59.1	2.9	56.0	48.7	41.8	34.9	28.0	-	54.5	3.3	51.9	45.3	38.8	32.3	25.7	-
	67	52.9	2.9	52.9	52.9	50.4	43.5	36.6	29.7	48.7	3.3	48.7	48.7	47.0	40.5	33.9	27.4
	62	51.1	2.8	51.1	51.1	50.7	43.8	36.9	30.1	47.8	3.3	47.8	47.8	47.4	40.8	34.3	27.8
2000	77	66.9	2.9	48.1	40.6	33.0	25.5	-	-	61.8	3.3	45.0	37.9	30.8	23.7	-	-
	72	60.2	2.8	60.0	51.7	44.1	36.6	29.1	-	55.5	3.3	55.4	48.3	41.1	34.0	26.9	-
	67	53.9	2.8	53.9	53.9	53.9	46.4	38.8	31.3	49.6	3.3	49.6	49.6	49.6	42.4	35.3	28.2
	62	52.0	2.8	52.0	52.0	52.0	44.5	37.0	29.5	48.6	3.3	48.6	48.6	48.6	41.5	34.4	27.3
				95°F						105°F							
1000	77	53.7	3.7	20.6	16.8	13.0	-	-	-	49.7	4.1	18.5	14.8	11.1	-	-	-
	72	48.7	3.7	27.2	23.4	19.6	15.7	-	-	44.8	4.2	25.1	21.4	17.7	13.9	-	-
	67	43.8	3.7	33.8	30.0	26.2	22.3	18.5	-	40.0	4.2	31.7	27.9	24.2	20.5	16.7	-
	62	39.0	3.7	39.0	38.8	32.9	29.1	25.3	21.4	35.6	4.1	35.6	35.5	29.9	26.2	22.5	18.7
1200	77	55.9	3.7	23.1	18.6	14.2	-	-	-	51.5	4.1	20.8	16.5	12.2	-	-	-
	72	50.7	3.7	30.3	25.8	21.4	16.9	-	-	46.5	4.1	28.0	23.7	19.4	15.0	-	-
	67	45.5	3.7	37.5	33.0	28.6	24.1	19.7	-	41.4	4.2	35.2	30.9	26.6	22.2	17.9	-
	62	40.5	3.7	40.5	40.4	36.0	31.5	27.1	22.6	36.9	4.1	36.9	36.9	32.9	28.5	24.2	19.9
1400	77	58.1	3.7	25.5	20.4	15.4	-	-	-	53.3	4.1	23.2	18.2	13.3	-	-	-
	72	52.7	3.7	33.3	28.2	23.2	18.1	-	-	48.1	4.1	31.0	26.0	21.1	16.2	-	-
	67	47.3	3.7	41.1	36.1	31.0	25.9	20.9	-	42.9	4.1	38.7	33.9	28.9	24.0	19.1	-
	62	42.1	3.7	42.1	42.0	39.0	33.9	28.9	23.8	38.3	4.1	38.3	38.2	35.8	30.9	25.9	21.0
1600	77	60.2	3.7	27.9	22.2	16.5	-	-	-	55.1	4.1	25.5	19.9	14.3	-	-	-
	72	54.6	3.7	36.3	30.7	25.0	19.3	-	-	49.8	4.1	33.9	28.3	22.8	17.3	-	-
	67	49.1	3.7	44.8	39.1	33.4	27.7	22.0	-	44.4	4.1	42.2	36.8	31.3	25.8	20.3	-
	62	43.7	3.7	43.7	43.7	42.0	36.3	30.7	25.0	39.6	4.1	39.6	39.6	38.7	33.2	27.7	22.2
1800	77	55.6	3.7	39.1	33.0	26.8	20.6	-	-	50.4	4.2	36.6	30.5	24.5	18.5	-	-
	72	49.9	3.7	47.8	42.0	35.8	29.6	23.4	-	45.0	4.2	43.9	39.7	33.6	27.6	21.5	-
	67	44.5	3.7	44.5	44.5	43.6	37.4	31.2	25.0	40.1	4.1	40.1	40.1	39.7	33.7	27.6	21.6
	62	44.5	3.7	44.5	44.5	44.1	37.9	31.7	25.5	40.5	4.1	40.5	40.5	40.1	34.0	28.0	21.9
2000	77	56.6	3.7	42.0	35.3	28.5	21.8	-	-	51.1	4.2	39.3	32.7	26.2	19.6	-	-
	72	50.8	3.7	50.8	44.9	38.2	31.4	24.7	-	45.6	4.2	45.6	42.5	35.9	29.3	22.8	-
	67	45.3	3.7	45.3	45.3	45.3	38.5	31.8	25.1	40.7	4.2	40.7	40.7	40.7	34.1	27.5	21.0
	62	45.3	3.7	45.3	45.3	45.3	38.5	31.8	25.1	41.0	4.2	41.0	41.0	41.0	34.5	27.9	21.3

**ZR048 (4.0 Ton) Cooling (Continued)**

Air on Evaporator Coil		Temperature of Air on Condenser Coil															
		Total Capacity <sup>1</sup> (MBh)	Total Input (kW) <sup>2</sup>	Sensible Capacity (MBh)						Total Capacity <sup>1</sup> (MBh)	Total Input (kW) <sup>2</sup>	Sensible Capacity (MBh)					
				Return Dry Bulb (°F)								Return Dry Bulb (°F)					
CFM	WB (°F)			90	85	80	75	70	65			90	85	80	75	70	65
115°F										125°F							
1000	77	45.6	4.6	16.4	12.9	9.2	-	-	-	41.6	5.1	13.2	10.9	7.4	-	-	-
	72	40.9	4.6	23.0	19.4	15.7	12.1	-	-	37.0	5.1	20.9	17.4	13.8	10.3	-	-
	67	36.2	4.6	29.6	25.9	22.2	18.6	14.9	-	32.4	5.1	27.5	23.8	20.2	16.7	13.2	-
	62	32.3	4.6	32.3	32.3	27.0	23.3	19.7	16.0	29.0	5.1	29.0	29.0	24.0	20.4	16.9	13.3
1200	77	47.1	4.6	18.6	14.4	10.2	-	-	-	42.7	5.1	16.4	12.3	8.2	-	-	-
	72	42.2	4.6	25.8	21.6	17.4	13.2	-	-	38.0	5.1	23.6	19.5	15.4	11.3	-	-
	67	37.4	4.6	33.0	28.8	24.6	20.3	16.1	-	33.3	5.1	30.7	26.6	22.5	18.4	14.3	-
	62	33.4	4.6	33.4	33.4	29.8	25.6	21.4	17.1	29.8	5.1	29.8	29.8	26.7	22.6	18.5	14.4
	57	34.0	4.6	34.0	33.9	29.7	25.5	21.3	17.1	30.8	5.1	30.8	30.6	26.2	22.1	18.0	13.9
1400	77	48.6	4.6	20.9	16.0	11.2	-	-	-	43.8	5.1	19.7	13.7	9.1	-	-	-
	72	43.6	4.6	28.6	23.8	19.0	14.2	-	-	39.0	5.1	26.3	21.6	17.0	12.3	-	-
	67	38.5	4.6	36.3	31.7	26.9	22.1	17.3	-	34.2	5.1	33.9	29.5	24.8	20.2	15.5	-
	62	34.4	4.6	34.4	34.4	32.6	27.8	23.0	18.2	30.5	5.1	30.5	30.5	29.4	24.8	20.1	15.4
	57	35.1	4.6	35.1	35.0	32.5	27.7	22.9	18.2	31.6	5.1	31.6	31.5	28.9	24.2	19.6	14.9
1600	77	50.0	4.6	23.1	17.5	12.1	-	-	-	44.9	5.1	22.9	15.2	10.0	-	-	-
	72	44.9	4.6	31.4	26.0	20.7	15.3	-	-	40.0	5.1	29.0	23.7	18.5	13.3	-	-
	67	39.7	4.6	39.7	34.6	29.2	23.9	18.5	-	35.0	5.1	35.0	32.3	27.1	21.9	16.7	-
	62	35.4	4.6	35.4	35.4	35.4	30.1	24.7	19.3	31.3	5.1	31.3	31.3	31.3	26.9	21.7	16.5
	57	36.1	4.6	36.1	36.1	35.3	30.0	24.6	19.2	32.4	5.1	32.4	32.4	31.6	26.4	21.2	16.0
1800	72	45.3	4.6	34.0	28.1	22.3	16.4	-	-	40.1	5.1	31.5	25.7	20.0	14.3	-	-
	67	40.1	4.6	40.1	37.3	31.4	25.5	19.7	-	35.1	5.1	35.1	35.0	29.3	23.5	17.8	-
	62	35.7	4.6	35.7	35.7	35.7	29.9	24.0	18.1	31.4	5.1	31.4	31.4	31.4	26.1	20.3	14.6
	57	36.5	4.6	36.5	36.5	36.1	30.2	24.3	18.4	32.5	5.1	32.5	32.5	32.1	26.3	20.6	14.8
2000	72	45.7	4.6	36.7	30.2	23.8	17.4	-	-	40.2	5.1	34.0	27.7	21.5	15.2	-	-
	67	40.4	4.6	40.4	40.1	33.7	27.2	20.8	-	35.2	5.1	35.2	35.2	31.4	25.1	18.9	-
	62	36.1	4.6	36.1	36.1	36.1	29.6	23.2	16.8	31.5	5.1	31.5	31.5	31.5	25.2	18.9	12.7
	57	36.8	4.6	36.8	36.8	36.8	30.4	23.9	17.5	32.6	5.1	32.6	32.6	32.6	26.3	20.0	13.7

1. These capacities are gross ratings. For net capacity, deduct air blower motor, MBh = 3.415 x kW. Refer to the appropriate Blower Performance Table for the kW of the supply air blower motor.
2. These ratings include the condenser fan motors (total 1 kW) and the compressor motors but not the supply air blower motor.

ZR048 (4.0 Ton) Reheat

Air on Evaporator Coil		Temperature of Air on Condenser Coil																
CFM	WB (°F)	Total Capacity <sup>1</sup> (MBh)	Total Input (kW) <sup>2</sup>	Sensible Capacity (MBh)						Total Capacity <sup>1</sup> (MBh)	Total Input (kW) <sup>2</sup>	Sensible Capacity (MBh)						
				Return Dry Bulb (°F)								Return Dry Bulb (°F)						
				90	85	80	75	70	65			90	85	80	75	70	65	
				45°F						55°F								
1000	77	55.9	2.2	22.7	20.7	18.7	-	-	-	47.1	2.4	19.4	17.4	15.4	-	-	-	
	72	45.3	2.1	23.1	21.1	19.1	17.1	-	-	40.3	2.3	20.9	19.0	17.0	15.1	-	-	
	67	34.8	2.0	23.4	21.4	19.4	17.4	15.4	-	33.4	2.3	22.5	20.6	18.6	16.6	14.7	-	
	62	29.0	2.0	25.4	23.4	21.4	19.4	17.4	15.4	26.7	2.2	23.9	22.0	20.0	18.1	16.1	14.1	
1200	77	62.4	2.2	25.6	23.4	21.1	-	-	-	53.3	2.4	22.0	19.8	17.6	-	-	-	
	72	50.6	2.1	26.0	23.7	21.4	19.2	-	-	45.6	2.3	23.8	21.6	19.4	17.2	-	-	
	67	38.7	2.0	26.3	24.0	21.8	19.5	17.2	-	37.8	2.3	25.6	23.4	21.2	19.0	16.8	-	
	62	32.3	2.0	28.6	26.3	24.1	21.8	19.5	17.3	30.3	2.2	27.2	25.0	22.8	20.6	18.4	16.2	
1400	77	69.0	2.2	28.5	26.0	23.5	-	-	-	59.6	2.4	24.6	22.2	19.7	-	-	-	
	72	55.8	2.1	28.9	26.3	23.8	21.3	-	-	50.9	2.4	26.6	24.2	21.7	19.3	-	-	
	67	42.6	2.0	29.2	26.7	24.1	21.6	19.1	-	42.2	2.3	28.7	26.2	23.7	21.3	18.8	-	
	62	35.6	2.0	31.8	29.2	26.7	24.2	21.6	19.1	33.8	2.3	30.5	28.0	25.5	23.1	20.6	18.2	
1600	77	75.6	2.2	31.4	28.6	25.8	-	-	-	65.8	2.4	27.2	24.5	21.8	-	-	-	
	72	61.1	2.1	31.8	29.0	26.2	23.4	-	-	56.2	2.4	29.5	26.8	24.1	21.4	-	-	
	67	46.5	2.0	32.1	29.3	26.5	23.7	20.9	-	46.6	2.3	31.7	29.0	26.3	23.6	20.9	-	
	62	38.9	2.0	34.9	32.2	29.4	26.6	23.8	21.0	37.3	2.3	33.7	31.0	28.3	25.6	22.9	20.2	
1800	77	81.3	2.0	31.3	31.3	31.3	28.5	25.7	22.9	30.4	2.3	30.4	30.4	30.4	27.7	25.0	22.3	
	72	68.7	2.2	35.8	32.7	29.6	26.5	-	-	61.1	2.4	32.2	29.3	26.3	23.4	-	-	
	67	52.7	2.1	36.3	33.2	30.1	27.0	23.9	-	50.7	2.4	34.7	31.7	28.8	25.8	22.9	-	
	62	43.9	2.1	39.4	36.4	33.3	30.2	27.1	24.0	40.6	2.3	36.9	33.9	31.0	28.0	25.1	22.1	
2000	77	95.3	2.1	35.3	35.3	35.3	32.2	29.1	26.0	33.0	2.3	33.0	33.0	33.0	30.1	27.1	24.2	
	72	76.4	2.2	39.7	36.3	32.9	29.5	-	-	66.0	2.5	35.0	31.8	28.6	25.4	-	-	
	67	58.9	2.1	40.5	37.1	33.7	30.3	26.9	-	54.7	2.4	37.7	34.5	31.3	28.0	24.8	-	
	62	49.0	2.1	43.9	40.5	37.2	33.8	30.4	27.0	43.8	2.3	40.1	36.8	33.6	30.4	27.2	24.0	
2000	57	39.4	2.1	39.4	39.4	39.4	36.0	32.6	29.2	35.7	2.3	35.7	35.7	35.7	32.5	29.3	26.1	
					65°F						75°F							
	1000	77	38.4	2.5	16.0	14.1	12.2	-	-	-	41.1	2.9	16.5	14.5	12.5	-	-	-
		72	35.2	2.5	18.8	16.9	15.0	13.1	-	-	37.3	2.9	19.9	17.9	15.9	14.0	-	-
67		32.0	2.5	21.6	19.7	17.8	15.9	14.0	-	33.5	2.9	23.3	21.3	19.3	17.4	15.4	-	
62		24.5	2.4	22.4	20.5	18.6	16.7	14.8	12.9	27.6	2.9	25.4	23.4	21.5	19.5	17.5	15.6	
1200	77	44.3	2.6	18.3	16.2	14.0	-	-	-	45.1	3.0	17.9	15.8	13.6	-	-	-	
	72	40.6	2.6	21.6	19.5	17.3	15.2	-	-	40.9	2.9	21.6	19.4	17.3	15.1	-	-	
	67	36.9	2.6	24.9	22.7	20.6	18.4	16.3	-	36.8	2.9	25.2	23.1	20.9	18.8	16.7	-	
	62	28.3	2.5	25.8	23.6	21.5	19.3	17.2	15.0	30.1	2.9	27.4	25.3	23.2	21.0	18.9	16.7	
1400	77	50.1	2.6	20.7	18.3	15.9	-	-	-	49.0	3.0	19.3	17.0	14.7	-	-	-	
	72	46.0	2.6	24.4	22.0	19.6	17.2	-	-	44.5	3.0	23.2	20.9	18.6	16.3	-	-	
	67	41.8	2.6	28.1	25.7	23.3	20.9	18.6	-	40.0	3.0	27.2	24.8	22.5	20.2	17.9	-	
	62	32.0	2.5	29.1	26.8	24.4	22.0	19.6	17.2	32.7	2.9	29.5	27.2	24.9	22.5	20.2	17.9	
1600	77	56.0	2.7	23.0	20.4	17.8	-	-	-	52.9	3.0	20.7	18.2	15.8	-	-	-	
	72	51.4	2.7	27.2	24.6	21.9	19.3	-	-	48.1	3.0	24.9	22.4	19.9	17.4	-	-	
	67	46.7	2.6	31.3	28.7	26.1	23.5	20.8	-	43.3	3.0	29.1	26.6	24.1	21.6	19.1	-	
	62	35.8	2.6	32.5	29.9	27.3	24.6	22.0	19.4	35.3	2.9	31.5	29.0	26.5	24.0	21.6	19.1	
1800	77	57	2.5	29.6	29.6	29.6	26.9	24.3	21.7	27.8	2.8	27.8	27.8	27.8	25.3	22.9	20.4	
	72	53.5	2.7	28.7	25.9	23.1	20.3	-	-	50.7	3.0	27.2	24.5	21.7	18.9	-	-	
	67	48.6	2.6	33.1	30.3	27.4	24.6	21.8	-	45.6	3.0	31.8	29.0	26.2	23.4	20.7	-	
	62	37.2	2.6	34.3	31.5	28.7	25.9	23.1	20.2	37.2	2.9	34.5	31.7	28.9	26.1	23.4	20.6	
2000	77	55.6	2.7	30.3	27.3	24.2	21.2	-	-	53.3	3.0	29.5	26.5	23.4	20.3	-	-	
	72	50.6	2.7	34.8	31.8	28.8	25.8	22.8	-	47.9	3.0	34.5	31.4	28.3	25.3	22.2	-	
	67	38.7	2.6	36.2	33.1	30.1	27.1	24.1	21.1	39.1	3.0	37.4	34.4	31.3	28.2	25.2	22.1	
	62	32.0	2.5	32.0	32.0	32.0	28.9	25.9	22.9	30.8	2.8	30.8	30.8	30.8	27.8	24.7	21.6	

**ZR048 (4.0 Ton) Reheat (Continued)**

Air on Evaporator Coil		Temperature of Air on Condenser Coil															
CFM	WB (°F)	Total Capacity <sup>1</sup> (MBh)	Total Input (kW) <sup>2</sup>	Sensible Capacity (MBh)						Total Capacity <sup>1</sup> (MBh)	Total Input (kW) <sup>2</sup>	Sensible Capacity (MBh)					
				Return Dry Bulb (°F)								Return Dry Bulb (°F)					
				90	85	80	75	70	65			90	85	80	75	70	65
				85°F						95°F							
1000	77	43.9	3.3	17.0	14.9	12.9	-	-	-	46.6	3.7	17.4	15.4	13.3	-	-	-
	72	39.5	3.3	20.9	18.9	16.9	14.9	-	-	41.6	3.7	22.0	19.9	17.9	15.8	-	-
	67	35.1	3.3	24.9	22.9	20.9	18.9	16.9	-	36.6	3.7	26.5	24.5	22.4	20.4	18.3	-
	62	30.6	3.3	28.4	26.4	24.3	22.3	20.3	18.3	33.7	3.7	31.3	29.3	27.2	25.2	23.1	21.0
1200	77	45.9	3.3	17.4	15.3	13.2	-	-	-	46.7	3.7	17.0	14.9	12.8	-	-	-
	72	41.3	3.3	21.5	19.4	17.2	15.1	-	-	41.6	3.7	21.5	19.3	17.2	15.1	-	-
	67	36.7	3.3	25.6	23.4	21.3	19.2	17.0	-	36.5	3.7	25.9	23.8	21.7	19.6	17.4	-
	62	32.0	3.3	29.1	27.0	24.8	22.7	20.6	18.5	33.9	3.7	30.7	28.6	26.5	24.4	22.3	20.2
	57	24.0	3.1	24.0	24.0	24.0	21.9	19.8	17.7	24.4	3.5	24.4	24.4	24.4	22.3	20.2	18.1
1400	77	47.8	3.3	17.9	15.7	13.5	-	-	-	46.7	3.7	16.6	14.4	12.2	-	-	-
	72	43.0	3.3	22.1	19.8	17.6	15.3	-	-	41.6	3.7	20.9	18.7	16.6	14.4	-	-
	67	38.2	3.3	26.2	24.0	21.7	19.5	17.2	-	36.5	3.7	25.3	23.1	20.9	18.8	16.6	-
	62	33.4	3.3	29.8	27.6	25.3	23.1	20.8	18.6	34.0	3.7	30.1	28.0	25.8	23.6	21.5	19.3
	57	25.1	3.1	25.1	25.1	25.1	22.8	20.6	18.4	24.4	3.5	24.4	24.4	24.4	22.2	20.1	17.9
1600	77	49.8	3.3	18.4	16.1	13.7	-	-	-	46.7	3.7	16.1	13.9	11.7	-	-	-
	72	44.8	3.3	22.6	20.3	17.9	15.6	-	-	41.5	3.7	20.4	18.2	15.9	13.7	-	-
	67	39.8	3.3	26.9	24.5	22.1	19.8	17.4	-	36.4	3.6	24.6	22.4	20.2	17.9	15.7	-
	62	34.7	3.3	30.5	28.2	25.8	23.5	21.1	18.7	34.2	3.7	29.6	27.3	25.1	22.9	20.6	18.4
	57	26.1	3.1	26.1	26.1	26.1	23.8	21.4	19.0	24.4	3.5	24.4	24.4	24.4	22.2	19.9	17.7
1800	72	47.9	3.3	25.7	23.0	20.2	17.5	-	-	45.1	3.7	24.2	21.5	18.8	16.1	-	-
	67	42.6	3.3	30.5	27.8	25.0	22.3	19.5	-	39.5	3.7	29.2	26.5	23.8	21.1	18.4	-
	62	37.1	3.3	34.6	31.9	29.2	26.4	23.7	20.9	37.1	3.7	34.8	32.1	29.4	26.7	24.0	21.3
	57	27.9	3.2	27.9	27.9	27.9	25.2	22.4	19.7	26.5	3.5	26.5	26.5	26.5	23.8	21.1	18.4
2000	72	51.0	3.4	28.8	25.7	22.6	19.4	-	-	48.7	3.7	28.1	24.9	21.7	18.6	-	-
	67	45.3	3.3	34.1	31.0	27.9	24.8	21.6	-	42.7	3.7	33.8	30.6	27.4	24.2	21.1	-
	62	39.5	3.3	38.7	35.6	32.5	29.4	26.3	23.1	40.0	3.7	40.0	36.9	33.7	30.5	27.3	24.2
	57	29.7	3.2	29.7	29.7	29.7	26.6	23.5	20.4	28.6	3.5	28.6	28.6	28.6	25.4	22.3	19.1

1. These capacities are gross ratings. For net capacity, deduct air blower motor, MBh = 3.415 x kW. Refer to the appropriate Blower Performance Table for the kW of the supply air blower motor.
2. These ratings include the condenser fan motors (total 1 kW) and the compressor motors but not the supply air blower motor.

**ZR060 (5.0 Ton) Cooling**

Air on Evaporator Coil		Temperature of Air on Condenser Coil																	
CFM	WB (°F)	Total Capacity <sup>1</sup> (MBh)	Total Input (kW) <sup>2</sup>	Sensible Capacity (MBh)						Total Capacity <sup>1</sup> (MBh)	Total Input (kW) <sup>2</sup>	Sensible Capacity (MBh)							
				Return Dry Bulb (°F)								Return Dry Bulb (°F)							
				90	85	80	75	70	65			90	85	80	75	70	65		
				<b>75°F</b>								<b>85°F</b>							
1250	77	69.5	3.7	26.9	22.4	17.9	-	-	-	66.6	4.2	26.7	22.1	17.5	-	-	-		
	72	63.9	3.6	35.1	30.6	26.1	21.7	-	-	61.1	4.2	34.8	30.2	25.6	21.0	-	-		
	67	58.4	3.6	43.3	38.8	34.3	29.9	25.4	-	55.6	4.2	42.8	38.2	33.6	29.0	24.4	-		
	62	53.1	3.6	53.1	45.4	41.0	36.6	32.1	27.6	50.5	4.1	50.5	46.1	40.8	36.2	31.6	26.9		
1500	77	75.4	3.7	31.5	26.1	20.6	-	-	-	71.7	4.2	30.7	25.2	19.8	-	-	-		
	72	69.4	3.7	40.9	35.5	30.0	24.5	-	-	65.8	4.2	39.8	34.3	28.8	23.4	-	-		
	67	63.4	3.7	50.3	44.9	39.4	33.9	28.4	-	59.9	4.2	48.9	43.4	37.9	32.4	27.0	-		
	62	57.7	3.6	57.7	52.5	47.0	41.6	36.1	30.6	54.4	4.1	54.4	51.5	46.0	40.5	35.1	29.6		
57	55.2	3.6	55.2	55.2	50.2	44.7	39.2	33.7	52.6	4.2	52.6	52.6	48.2	42.7	37.2	31.7	-		
1750	77	81.4	3.8	36.2	29.7	23.2	-	-	-	76.9	4.3	34.7	28.4	22.0	-	-	-		
	72	74.9	3.7	46.8	40.3	33.8	27.3	-	-	70.6	4.2	44.8	38.5	32.1	25.8	-	-		
	67	68.4	3.7	57.4	50.9	44.4	37.9	31.4	-	64.2	4.2	54.9	48.6	42.2	35.9	29.5	-		
	62	62.2	3.6	62.2	59.6	53.1	46.6	40.1	33.6	58.3	4.2	58.3	56.9	51.2	44.9	38.6	32.2		
57	59.6	3.6	59.6	59.6	56.6	50.0	43.5	37.0	56.4	4.2	56.4	56.4	53.7	47.3	41.0	34.6	-		
2000	77	87.3	3.8	40.9	33.3	25.8	-	-	-	82.1	4.3	38.7	31.5	24.3	-	-	-		
	72	80.4	3.8	52.7	45.2	37.6	30.1	-	-	75.3	4.3	49.8	42.6	35.4	28.2	-	-		
	67	73.4	3.7	64.5	57.0	49.4	41.9	34.4	-	68.6	4.2	61.0	53.8	46.5	39.3	32.1	-		
	62	66.8	3.7	66.8	66.8	59.1	51.6	44.0	36.5	62.3	4.2	62.3	62.3	56.5	49.3	42.0	34.8		
57	63.9	3.7	63.9	63.9	63.0	55.4	47.9	40.4	60.2	4.2	60.2	60.2	59.1	51.9	44.7	37.5	-		
2250	72	82.4	3.8	55.2	47.2	39.2	31.3	-	-	77.1	4.3	52.9	45.1	37.2	29.4	-	-		
	67	75.2	3.7	67.5	59.5	51.6	43.6	35.6	-	70.1	4.2	64.6	56.8	49.0	41.1	33.3	-		
	62	68.4	3.7	68.4	68.4	61.7	53.8	45.8	37.8	63.7	4.2	63.7	63.7	59.4	51.6	43.8	35.9		
	57	65.5	3.7	65.5	65.5	65.0	57.1	49.1	41.1	61.5	4.2	61.5	61.5	61.0	53.2	45.4	37.6		
2500	72	84.4	3.7	57.7	49.3	40.9	32.4	-	-	78.8	4.3	55.9	47.5	39.1	30.6	-	-		
	67	77.0	3.7	70.5	62.1	53.7	45.2	36.8	-	71.7	4.2	68.2	59.8	51.4	42.9	34.5	-		
	62	70.1	3.7	70.1	70.1	64.4	56.0	47.5	39.1	65.2	4.2	65.2	65.2	62.3	53.9	45.5	37.0		
	57	67.1	3.7	67.1	67.1	67.1	58.7	50.3	41.8	62.9	4.2	62.9	62.9	62.9	54.5	46.1	37.7		
				<b>95°F</b>								<b>105°F</b>							
1250	77	63.7	4.8	26.6	21.8	17.1	-	-	-	59.2	5.4	24.5	19.8	15.2	-	-	-		
	72	58.2	4.7	34.5	29.7	25.0	20.2	-	-	54.0	5.4	32.4	27.8	23.1	18.4	-	-		
	67	52.8	4.7	42.4	37.6	32.9	28.1	23.4	-	48.9	5.3	40.3	35.7	31.0	26.3	21.6	-		
	62	47.9	4.7	47.9	46.8	40.5	35.8	31.0	26.3	44.6	5.3	44.6	44.1	37.9	33.2	28.5	23.9		
1500	77	68.1	4.8	29.9	24.4	19.0	-	-	-	63.1	5.4	27.6	22.2	16.9	-	-	-		
	72	62.3	4.8	38.7	33.2	27.7	22.2	-	-	57.6	5.4	36.4	31.0	25.6	20.3	-	-		
	67	56.5	4.7	47.4	41.9	36.5	31.0	25.5	-	52.1	5.3	45.2	39.8	34.4	29.1	23.7	-		
	62	51.2	4.7	51.2	50.4	45.0	39.5	34.0	28.6	47.6	5.3	47.6	47.2	42.2	36.8	31.4	26.0		
57	49.9	4.7	49.9	49.9	46.2	40.7	35.3	29.8	46.7	5.3	46.7	46.7	42.8	37.5	32.1	26.7			
1750	77	72.5	4.8	33.2	27.0	20.8	-	-	-	67.1	5.4	30.7	24.6	18.5	-	-	-		
	72	66.3	4.8	42.8	36.6	30.4	24.3	-	-	61.2	5.4	40.4	34.3	28.2	22.1	-	-		
	67	60.1	4.7	52.4	46.3	40.1	33.9	27.7	-	55.3	5.3	50.1	44.0	37.9	31.8	25.7	-		
	62	54.5	4.7	54.5	54.1	49.4	43.2	37.0	30.9	50.6	5.3	50.6	50.4	46.4	40.3	34.2	28.1		
57	53.2	4.7	53.2	53.2	50.7	44.6	38.4	32.2	49.6	5.3	49.6	49.6	47.2	41.1	35.0	28.9			
2000	77	76.9	4.8	36.5	29.6	22.7	-	-	-	71.0	5.4	33.8	27.0	20.2	-	-	-		
	72	70.3	4.8	47.0	40.1	33.2	26.3	-	-	64.8	5.4	44.4	37.6	30.8	24.0	-	-		
	67	63.8	4.7	57.5	50.6	43.7	36.8	29.9	-	58.6	5.3	55.0	48.2	41.4	34.6	27.8	-		
	62	57.8	4.7	57.8	57.8	53.9	46.9	40.0	33.1	53.5	5.3	53.5	53.5	50.6	43.8	37.1	30.3		
57	56.4	4.7	56.4	56.4	55.3	48.4	41.5	34.6	52.5	5.3	52.5	52.5	51.5	44.7	37.9	31.1			
2250	72	71.8	4.8	50.5	42.9	35.2	27.6	-	-	66.0	5.4	47.7	40.2	32.7	25.2	-	-		
	67	65.1	4.7	61.7	54.0	46.4	38.7	31.0	-	59.7	5.3	57.7	51.4	43.9	36.4	28.9	-		
	62	59.0	4.7	59.0	59.0	57.0	49.4	41.7	34.1	54.5	5.3	54.5	54.5	53.1	45.5	38.0	30.5		
	57	57.6	4.7	57.6	57.6	57.0	49.4	41.7	34.1	53.5	5.3	53.5	53.5	53.0	45.5	37.9	30.4		
2500	72	73.3	4.8	54.1	45.7	37.3	28.8	-	-	67.1	5.4	51.0	42.8	34.6	26.3	-	-		
	67	66.5	4.8	65.9	57.5	49.0	40.6	32.2	-	60.7	5.3	60.4	54.6	46.4	38.2	30.0	-		
	62	60.2	4.7	60.2	60.2	60.2	51.8	43.4	35.0	55.5	5.3	55.5	55.5	55.5	47.3	39.0	30.8		
	57	58.8	4.7	58.8	58.8	58.8	50.3	41.9	33.5	54.5	5.3	54.5	54.5	54.5	46.2	38.0	29.8		

**ZR060 (5.0 Ton) Cooling (Continued)**

Air on Evaporator Coil		Temperature of Air on Condenser Coil															
CFM	WB (°F)	Total Capacity <sup>1</sup> (MBh)	Total Input (kW) <sup>2</sup>	Sensible Capacity (MBh)						Total Capacity <sup>1</sup> (MBh)	Total Input (kW) <sup>2</sup>	Sensible Capacity (MBh)					
				Return Dry Bulb (°F)								Return Dry Bulb (°F)					
				90	85	80	75	70	65			90	85	80	75	70	65
				<b>115°F</b>						<b>125°F</b>							
1250	77	54.7	6.1	22.5	17.8	13.2	-	-	-	50.3	6.7	19.5	15.9	11.3	-	-	-
	72	49.8	6.0	30.4	25.8	21.2	16.5	-	-	45.6	6.6	28.3	23.8	19.3	14.7	-	-
	67	44.9	5.9	38.3	33.7	29.1	24.5	19.9	-	41.0	6.5	36.3	31.7	27.2	22.7	18.1	-
	62	41.4	5.9	41.4	41.4	35.3	30.7	26.1	21.4	38.2	6.5	38.2	38.2	32.7	28.1	23.6	19.0
1500	77	58.2	6.1	25.4	20.1	14.7	-	-	-	53.3	6.7	23.1	17.9	12.6	-	-	-
	72	53.0	6.0	34.2	28.9	23.6	18.3	-	-	48.3	6.6	32.0	26.7	21.5	16.3	-	-
	67	47.7	5.9	43.0	37.7	32.4	27.1	21.8	-	43.4	6.5	40.8	35.6	30.4	25.2	20.0	-
	62	44.0	5.9	44.0	44.0	39.3	34.0	28.7	23.4	40.5	6.5	40.5	40.5	36.5	31.3	26.1	20.8
	57	43.5	5.9	43.5	43.5	39.5	34.2	28.9	23.6	40.3	6.5	40.3	40.3	36.1	30.9	25.7	20.5
1750	77	61.6	6.1	28.3	22.3	16.3	-	-	-	56.2	6.7	26.6	19.9	14.0	-	-	-
	72	56.1	6.0	38.0	32.0	26.0	20.0	-	-	51.0	6.6	35.6	29.7	23.8	17.9	-	-
	67	50.6	5.9	47.7	41.8	35.8	29.8	23.8	-	45.8	6.5	45.4	39.5	33.6	27.7	21.8	-
	62	46.6	5.9	46.6	46.6	43.4	37.4	31.4	25.4	42.7	6.5	42.7	42.7	40.4	34.5	28.6	22.7
	57	46.1	5.9	46.1	46.1	43.6	37.6	31.6	25.6	42.6	6.5	42.6	42.6	40.0	34.1	28.2	22.3
2000	77	65.1	6.1	31.2	24.5	17.8	-	-	-	59.2	6.7	30.2	21.9	15.3	-	-	-
	72	59.2	6.0	41.8	35.1	28.4	21.8	-	-	53.7	6.6	39.2	32.6	26.1	19.5	-	-
	67	53.4	5.9	52.5	45.8	39.1	32.4	25.7	-	48.2	6.5	48.2	43.4	36.8	30.2	23.6	-
	62	49.2	5.9	49.2	49.2	47.4	40.7	34.1	27.4	45.0	6.5	45.0	45.0	44.2	37.6	31.1	24.5
	57	48.7	5.9	48.7	48.7	47.6	40.9	34.2	27.6	44.8	6.5	44.8	44.8	43.8	37.2	30.6	24.0
2250	72	60.1	6.0	44.8	37.5	30.1	22.8	-	-	54.3	6.6	42.0	34.8	27.6	20.4	-	-
	67	54.2	5.9	53.7	48.8	41.4	34.1	26.7	-	48.7	6.5	48.7	46.2	39.0	31.8	24.6	-
	62	50.0	5.9	50.0	50.0	49.1	41.7	34.4	27.0	45.5	6.5	45.5	45.5	45.1	37.9	30.7	23.5
	57	49.4	5.9	49.4	49.4	48.9	41.5	34.2	26.8	45.3	6.5	45.3	45.3	44.8	37.6	30.4	23.2
2500	72	61.0	6.0	47.9	39.9	31.8	23.8	-	-	54.9	6.6	44.8	37.0	29.1	21.3	-	-
	67	55.0	5.9	55.0	51.8	43.8	35.8	27.7	-	49.3	6.5	49.3	49.0	41.1	33.3	25.5	-
	62	50.7	5.9	50.7	50.7	50.7	42.7	34.7	26.7	46.0	6.5	46.0	46.0	46.0	38.1	30.3	22.5
	57	50.1	5.9	50.1	50.1	50.1	42.1	34.1	26.1	45.8	6.5	45.8	45.8	45.8	38.0	30.2	22.4

1. These capacities are gross ratings. For net capacity, deduct air blower motor, MBh = 3.415 x kW. Refer to the appropriate Blower Performance Table for the kW of the supply air blower motor.
2. These ratings include the condenser fan motors (total 1 kW) and the compressor motors but not the supply air blower motor.

**ZR060 (5.0 Ton) Reheat**

Air on Evaporator Coil		Temperature of Air on Condenser Coil																	
CFM	WB (°F)	Total Capacity <sup>1</sup> (MBh)	Total Input (kW) <sup>2</sup>	Sensible Capacity (MBh)						Total Capacity <sup>1</sup> (MBh)	Total Input (kW) <sup>2</sup>	Sensible Capacity (MBh)							
				Return Dry Bulb (°F)								Return Dry Bulb (°F)							
				90	85	80	75	70	65			90	85	80	75	70	65		
				<b>45°F</b>								<b>55°F</b>							
1250	77	49.2	2.8	21.4	19.2	17.0	-	-	-	45.5	2.9	19.4	17.3	15.2	-	-	-		
	72	43.8	2.7	24.0	21.8	19.6	17.4	-	-	40.9	2.9	22.3	20.2	18.1	16.0	-	-		
	67	38.5	2.7	26.6	24.4	22.2	20.0	17.9	-	36.3	2.9	25.1	23.0	21.0	18.9	16.8	-		
	62	29.7	2.6	27.4	25.2	23.1	20.9	18.7	16.6	27.6	2.7	25.9	23.8	21.7	19.6	17.5	15.4		
1500	77	59.2	2.7	25.4	22.8	20.3	-	-	-	55.2	3.0	23.2	20.8	18.3	-	-	-		
	72	52.8	2.7	28.5	25.9	23.4	20.8	-	-	49.6	2.9	26.7	24.2	21.7	19.3	-	-		
	67	46.4	2.6	31.6	29.0	26.4	23.9	21.3	-	44.0	2.9	30.1	27.6	25.2	22.7	20.3	-		
	62	35.8	2.6	32.6	30.0	27.5	24.9	22.4	19.8	33.5	2.8	31.0	28.5	26.1	23.6	21.2	18.7		
57	30.8	2.5	30.8	30.8	28.7	26.1	23.6	21.0	29.2	2.7	29.2	29.2	27.8	25.4	22.9	20.5	-		
1750	77	69.2	2.7	29.4	26.5	23.5	-	-	-	64.9	3.0	27.0	24.2	21.4	-	-	-		
	72	61.7	2.7	33.0	30.1	27.1	24.2	-	-	58.3	3.0	31.0	28.2	25.4	22.6	-	-		
	67	54.2	2.6	36.6	33.6	30.7	27.7	24.8	-	51.8	2.9	35.1	32.2	29.4	26.6	23.8	-		
	62	41.8	2.6	37.8	34.8	31.9	28.9	26.0	23.0	39.4	2.8	36.1	33.3	30.5	27.6	24.8	22.0		
57	36.0	2.5	36.0	36.0	33.3	30.3	27.4	24.4	34.3	2.8	34.3	34.3	32.5	29.7	26.9	24.1	-		
2000	77	79.3	2.7	33.5	30.1	26.8	-	-	-	74.6	3.0	30.8	27.6	24.4	-	-	-		
	72	70.7	2.7	37.5	34.2	30.9	27.5	-	-	67.1	3.0	35.4	32.2	29.0	25.9	-	-		
	67	62.1	2.6	41.6	38.2	34.9	31.6	28.2	-	59.6	3.0	40.0	36.8	33.6	30.5	27.3	-		
	62	47.9	2.6	42.9	39.6	36.3	32.9	29.6	26.3	45.3	2.8	41.2	38.0	34.8	31.7	28.5	25.3		
57	41.2	2.5	41.2	41.2	37.8	34.5	31.2	27.8	39.5	2.8	39.5	39.5	37.2	34.0	30.8	27.6	-		
2250	72	76.8	2.7	43.2	39.4	35.6	31.7	-	-	71.5	3.0	39.3	35.7	32.1	28.6	-	-		
	67	67.5	2.6	48.0	44.1	40.3	36.5	32.6	-	63.5	3.0	44.4	40.8	37.2	33.7	30.1	-		
	62	52.0	2.6	49.6	45.7	41.9	38.0	34.2	30.3	48.3	2.8	45.7	42.1	38.6	35.0	31.4	27.9		
	57	44.8	2.5	44.8	44.8	43.4	39.5	35.7	31.8	42.1	2.8	42.1	42.1	41.0	37.4	33.8	30.3		
2500	72	82.9	2.7	49.0	44.6	40.3	35.9	-	-	76.0	3.0	43.1	39.2	35.2	31.3	-	-		
	67	72.9	2.6	54.4	50.0	45.7	41.3	37.0	-	67.5	3.0	48.7	44.8	40.8	36.9	32.9	-		
	62	56.1	2.6	56.2	51.8	47.5	43.1	38.7	34.4	51.3	2.8	50.2	46.2	42.3	38.3	34.4	30.4		
	57	48.4	2.5	48.4	48.4	48.9	44.5	40.2	35.8	44.7	2.8	44.7	44.7	44.7	40.8	36.9	32.9		
				<b>65°F</b>								<b>75°F</b>							
1250	77	41.8	3.1	17.4	15.4	13.4	-	-	-	41.6	3.5	17.1	15.2	13.2	-	-	-		
	72	37.9	3.1	20.6	18.6	16.6	14.6	-	-	38.2	3.5	20.3	18.3	16.4	14.4	-	-		
	67	34.0	3.1	23.7	21.7	19.7	17.7	15.7	-	34.8	3.5	23.5	21.5	19.6	17.6	15.6	-		
	62	25.5	2.8	24.4	22.3	20.3	18.3	16.3	14.3	27.5	3.4	25.0	23.0	21.0	19.1	17.1	15.1		
1500	77	51.1	3.2	21.0	18.7	16.3	-	-	-	49.4	3.6	20.2	17.9	15.6	-	-	-		
	72	46.4	3.2	24.8	22.5	20.1	17.8	-	-	45.3	3.6	24.0	21.7	19.4	17.1	-	-		
	67	41.7	3.2	28.6	26.3	23.9	21.6	19.2	-	41.3	3.6	27.7	25.4	23.1	20.8	18.5	-		
	62	31.3	2.9	29.4	27.1	24.7	22.3	20.0	17.6	32.6	3.4	29.5	27.2	24.9	22.6	20.3	18.0		
57	27.6	2.9	27.6	27.6	27.0	24.7	22.3	20.0	27.8	3.4	27.8	27.8	27.4	25.1	22.8	20.5	-		
1750	77	60.5	3.3	24.6	21.9	19.2	-	-	-	57.2	3.7	23.2	20.6	18.0	-	-	-		
	72	54.9	3.3	29.1	26.4	23.7	21.0	-	-	52.5	3.7	27.6	25.0	22.4	19.8	-	-		
	67	49.4	3.3	33.6	30.9	28.2	25.5	22.8	-	47.8	3.7	31.9	29.3	26.7	24.1	21.5	-		
	62	37.0	3.0	34.5	31.8	29.1	26.4	23.7	21.0	37.6	3.5	33.9	31.3	28.7	26.1	23.5	20.9		
57	32.7	3.0	32.7	32.7	31.8	29.1	26.4	23.7	32.2	3.5	32.2	32.2	31.6	29.0	26.4	23.8	-		
2000	77	69.9	3.4	28.2	25.1	22.1	-	-	-	65.0	3.8	26.2	23.3	20.4	-	-	-		
	72	63.5	3.4	33.3	30.3	27.2	24.2	-	-	59.6	3.8	31.2	28.3	25.4	22.4	-	-		
	67	57.0	3.3	38.5	35.4	32.4	29.3	26.3	-	54.3	3.8	36.1	33.2	30.3	27.4	24.5	-		
	62	42.7	3.1	39.5	36.5	33.4	30.4	27.3	24.3	42.7	3.6	38.3	35.4	32.5	29.6	26.7	23.8		
57	37.7	3.1	37.7	37.7	36.6	33.5	30.5	27.4	36.6	3.5	36.6	36.6	35.9	32.9	30.0	27.1	-		
2250	72	66.3	3.4	35.3	32.0	28.7	25.4	-	-	61.6	3.8	33.1	30.0	26.8	23.7	-	-		
	67	59.6	3.3	40.7	37.5	34.2	30.9	27.6	-	56.0	3.8	38.3	35.2	32.0	28.9	25.7	-		
	62	44.6	3.1	41.8	38.6	35.3	32.0	28.7	25.4	44.1	3.6	40.7	37.5	34.4	31.2	28.1	24.9		
	57	39.4	3.1	39.4	39.4	38.6	35.3	32.0	28.7	37.7	3.5	37.7	37.7	37.3	34.1	31.0	27.8		
2500	72	69.1	3.4	37.3	33.8	30.2	26.7	-	-	63.5	3.8	35.1	31.7	28.3	24.9	-	-		
	67	62.1	3.3	43.0	39.5	36.0	32.4	28.9	-	57.8	3.8	40.6	37.2	33.8	30.4	27.0	-		
	62	46.5	3.1	44.2	40.6	37.1	33.6	30.0	26.5	45.4	3.6	43.0	39.7	36.3	32.9	29.5	26.1		
	57	41.1	3.1	41.1	41.1	40.6	37.0	33.5	30.0	38.9	3.5	38.9	38.9	38.7	35.3	31.9	28.5		

**ZR060 (5.0 Ton) Reheat (Continued)**

Air on Evaporator Coil		Temperature of Air on Condenser Coil																	
CFM	WB (°F)	Total Capacity <sup>1</sup> (MBh)	Total Input (kW) <sup>2</sup>	Sensible Capacity (MBh)								Total Capacity <sup>1</sup> (MBh)	Total Input (kW) <sup>2</sup>	Sensible Capacity (MBh)					
				Return Dry Bulb (°F)										Return Dry Bulb (°F)					
				90	85	80	75	70	65	90	85			80	75	70	65		
				<b>85°F</b>								<b>95°F</b>							
1250	77	41.4	4.0	16.8	14.9	12.9	-	-	-	41.2	4.4	16.5	14.6	12.6	-	-	-		
	72	38.5	4.0	20.1	18.1	16.1	14.2	-	-	38.8	4.4	19.8	17.9	15.9	14.0	-	-		
	67	35.6	4.0	23.3	21.4	19.4	17.4	15.5	-	36.3	4.5	23.1	21.2	19.2	17.3	15.3	-		
	62	29.5	3.9	25.7	23.7	21.7	19.8	17.8	15.8	31.4	4.4	26.3	24.4	22.4	20.5	18.5	16.6		
1500	77	47.6	4.0	19.3	17.1	14.9	-	-	-	45.8	4.4	18.5	16.3	14.1	-	-	-		
	72	44.2	4.0	23.1	20.8	18.6	16.4	-	-	43.2	4.5	22.2	20.0	17.8	15.6	-	-		
	67	40.9	4.1	26.8	24.6	22.3	20.1	17.9	-	40.5	4.5	25.9	23.7	21.5	19.4	17.2	-		
	62	33.9	3.9	29.5	27.3	25.0	22.8	20.6	18.3	35.2	4.5	29.6	27.4	25.2	23.0	20.8	18.7		
	57	28.1	3.9	28.1	28.1	27.8	25.6	23.4	21.1	28.4	4.3	28.4	28.4	28.2	26.1	23.9	21.7		
1750	77	53.8	4.1	21.8	19.3	16.8	-	-	-	50.4	4.5	20.4	18.0	15.6	-	-	-		
	72	50.0	4.1	26.1	23.5	21.0	18.5	-	-	47.5	4.5	24.5	22.1	19.7	17.3	-	-		
	67	46.2	4.1	30.3	27.8	25.3	22.8	20.3	-	44.7	4.6	28.6	26.2	23.8	21.4	19.0	-		
	62	38.3	4.0	33.3	30.8	28.3	25.8	23.3	20.8	39.0	4.5	32.8	30.4	28.0	25.5	23.1	20.7		
	57	31.8	3.9	31.8	31.8	31.5	29.0	26.5	24.0	31.3	4.4	31.3	31.3	31.3	28.9	26.5	24.1		
2000	77	60.0	4.1	24.3	21.5	18.8	-	-	-	55.0	4.5	22.4	19.8	17.1	-	-	-		
	72	55.8	4.2	29.0	26.3	23.5	20.7	-	-	51.9	4.6	26.9	24.3	21.6	19.0	-	-		
	67	51.6	4.2	33.8	31.0	28.2	25.4	22.6	-	48.8	4.6	31.4	28.8	26.1	23.5	20.8	-		
	62	42.7	4.1	37.2	34.4	31.6	28.8	26.1	23.3	42.7	4.6	36.0	33.4	30.7	28.1	25.4	22.8		
	57	35.4	4.0	35.4	35.4	35.1	32.4	29.6	26.8	34.3	4.4	34.3	34.3	34.3	31.8	29.2	26.5		
2250	72	56.8	4.2	30.9	27.9	24.9	21.9	-	-	52.1	4.6	28.7	25.9	23.0	20.1	-	-		
	67	52.5	4.2	35.9	32.9	29.9	26.9	23.9	-	49.0	4.6	33.5	30.6	27.8	24.9	22.0	-		
	62	43.5	4.1	39.5	36.5	33.5	30.5	27.5	24.5	42.9	4.5	38.4	35.5	32.6	29.8	26.9	24.0		
	57	36.1	4.0	36.1	36.1	35.9	32.9	29.9	26.9	34.4	4.4	34.4	34.4	34.4	31.8	28.9	26.0		
2500	72	57.9	4.1	32.8	29.6	26.3	23.1	-	-	52.2	4.5	30.6	27.5	24.4	21.3	-	-		
	67	53.5	4.2	38.1	34.8	31.6	28.4	25.1	-	49.2	4.6	35.6	32.5	29.4	26.3	23.2	-		
	62	44.3	4.0	41.9	38.7	35.4	32.2	28.9	25.7	43.2	4.5	40.8	37.7	34.6	31.5	28.4	25.3		
	57	36.7	4.0	36.7	36.7	36.7	33.5	30.3	27.0	34.6	4.4	34.6	34.6	34.6	31.7	28.6	25.5		

1. These capacities are gross ratings. For net capacity, deduct air blower motor, MBh = 3.415 x kW. Refer to the appropriate Blower Performance Table for the kW of the supply air blower motor.
2. These ratings include the condenser fan motors (total 1 kW) and the compressor motors but not the supply air blower motor.



**XP036-060 Cooling Capacities**

**XP036 (3.0 Ton)**

Air on Evaporator Coil		Temperature of Air on Condenser Coil																	
CFM	WB (°F)	Total Capacity <sup>1</sup> (MBh)	Total Input (kW) <sup>2</sup>	Sensible Capacity (MBh)						Total Capacity <sup>1</sup> (MBh)	Total Input (kW) <sup>2</sup>	Sensible Capacity (MBh)							
				Return Dry Bulb (°F)								Return Dry Bulb (°F)							
				90	85	80	75	70	65			90	85	80	75	70	65		
		75°F									85°F								
750	77	43.4	2.1	20.2	17.0	13.8	-	-	-	41.3	2.4	18.4	15.3	12.2	-	-	-		
	72	40.8	2.1	25.0	21.8	18.6	15.4	-	-	38.5	2.4	23.2	20.2	17.1	14.0	-	-		
	67	38.2	2.1	29.9	26.7	23.5	20.3	17.1	-	35.6	2.4	28.1	25.0	21.9	18.9	15.8	-		
	62	32.1	2.1	32.1	34.4	29.0	25.8	22.6	19.4	32.0	2.4	32.0	32.0	27.1	24.1	21.0	17.9		
900	77	45.5	2.1	22.4	18.7	15.0	-	-	-	42.9	2.4	20.6	17.0	13.3	-	-	-		
	72	42.8	2.1	27.7	24.0	20.2	16.5	-	-	40.0	2.4	25.9	22.3	18.6	15.0	-	-		
	67	40.0	2.1	32.9	29.2	25.5	21.7	18.0	-	37.0	2.4	31.2	27.6	24.0	20.3	16.7	-		
	62	33.7	2.1	33.7	35.2	31.5	27.7	24.0	20.2	33.3	2.4	33.3	33.3	29.6	26.0	22.4	18.8		
	57	31.0	2.1	31.0	31.0	29.4	25.6	21.9	18.1	31.2	2.4	31.2	31.2	28.7	25.1	21.5	17.9		
1050	77	47.6	2.1	24.7	20.4	16.1	-	-	-	44.5	2.4	22.8	18.6	14.5	-	-	-		
	72	44.7	2.1	30.4	26.1	21.8	17.5	-	-	41.5	2.4	28.5	24.4	20.2	16.1	-	-		
	67	41.9	2.1	36.0	31.7	27.5	23.2	18.9	-	38.4	2.4	34.3	30.1	26.0	21.8	17.7	-		
	62	35.3	2.1	35.3	36.0	33.9	29.6	25.3	21.1	34.5	2.4	34.5	34.5	32.1	28.0	23.8	19.7		
	57	32.5	2.1	32.5	32.5	31.6	27.4	23.1	18.8	32.4	2.4	32.4	32.4	31.1	27.0	22.8	18.7		
1200	77	49.6	2.1	27.0	22.1	17.3	-	-	-	46.1	2.4	25.0	20.3	15.6	-	-	-		
	72	46.7	2.1	33.0	28.2	23.4	18.6	-	-	43.0	2.4	31.1	26.5	21.8	17.1	-	-		
	67	43.7	2.1	39.1	34.3	29.4	24.6	19.8	-	39.8	2.4	37.3	32.7	28.0	23.3	18.6	-		
	62	36.8	2.1	36.8	36.8	36.4	31.6	26.7	21.9	35.8	2.4	35.8	35.8	34.6	29.9	25.3	20.6		
	57	33.9	2.1	33.9	33.9	33.9	29.1	24.3	19.5	33.5	2.4	33.5	33.5	33.5	28.9	24.2	19.5		
1350	72	46.9	2.1	35.4	30.1	24.8	19.5	-	-	43.3	2.4	33.4	28.3	23.2	18.0	-	-		
	67	43.9	2.1	41.6	36.6	31.3	26.0	20.7	-	40.1	2.4	38.8	34.9	29.8	24.6	19.5	-		
	62	37.0	2.1	37.0	37.0	36.8	31.5	26.2	20.9	36.0	2.4	36.0	36.0	35.4	30.3	25.2	20.0		
	57	34.1	2.1	34.1	34.1	34.1	28.8	23.5	18.2	33.8	2.4	33.8	33.8	33.8	28.6	23.5	18.4		
1500	72	47.1	2.1	37.8	32.0	26.3	20.5	-	-	43.6	2.4	35.7	30.2	24.6	19.0	-	-		
	67	44.1	2.1	44.1	38.8	33.1	27.3	21.5	-	40.3	2.4	40.3	37.1	31.6	26.0	20.4	-		
	62	37.1	2.1	37.1	37.1	37.1	31.4	25.6	19.8	36.3	2.4	36.3	36.3	36.3	30.7	25.1	19.5		
	57	34.2	2.1	34.2	34.2	34.2	28.4	22.7	16.9	34.0	2.4	34.0	34.0	34.0	28.4	22.8	17.2		
		95°F									105°F								
750	77	39.2	2.8	16.5	13.6	10.7	-	-	-	35.6	3.1	14.8	12.4	9.5	-	-	-		
	72	36.1	2.7	21.4	18.5	15.5	12.6	-	-	32.9	3.1	20.2	17.2	14.3	11.4	-	-		
	67	33.0	2.7	26.3	23.3	20.4	17.5	14.5	-	30.2	3.1	25.5	22.1	19.1	16.2	13.3	-		
	62	31.9	2.6	31.9	29.6	25.3	22.4	19.4	16.5	28.4	3.0	28.4	27.3	23.2	20.3	17.3	14.4		
900	77	40.3	2.8	18.7	15.2	11.7	-	-	-	36.8	3.1	17.4	13.9	10.5	-	-	-		
	72	37.2	2.7	24.0	20.6	17.1	13.6	-	-	34.0	3.1	22.7	19.3	15.8	12.3	-	-		
	67	34.0	2.7	29.4	25.9	22.4	19.0	15.5	-	31.2	3.1	28.1	24.6	21.1	17.7	14.2	-		
	62	32.9	2.6	32.9	31.3	27.8	24.4	20.9	17.4	29.4	3.0	29.4	28.6	25.6	22.2	18.7	15.2		
	57	31.4	2.6	31.4	31.4	28.1	24.6	21.1	17.6	28.7	3.1	28.7	28.7	25.7	22.3	18.8	15.4		
1050	77	41.5	2.8	20.8	16.8	12.8	-	-	-	38.0	3.1	19.9	15.4	11.5	-	-	-		
	72	38.2	2.7	26.7	22.6	18.6	14.6	-	-	35.1	3.1	25.3	21.3	17.3	13.3	-	-		
	67	35.0	2.7	32.5	28.5	24.5	20.5	16.5	-	32.3	3.1	30.6	27.1	23.2	19.2	15.2	-		
	62	33.8	2.6	33.8	33.0	30.4	26.4	22.3	18.3	30.4	3.0	30.4	30.0	28.0	24.1	20.1	16.1		
	57	32.3	2.7	32.3	32.3	30.6	26.6	22.6	18.6	29.7	3.1	29.7	29.7	28.2	24.2	20.2	16.2		
1200	77	42.6	2.8	22.9	18.4	13.9	-	-	-	39.3	3.1	22.5	17.0	12.4	-	-	-		
	72	39.3	2.7	29.3	24.7	20.2	15.6	-	-	36.3	3.1	27.8	23.3	18.8	14.3	-	-		
	67	35.9	2.7	35.6	31.1	26.5	22.0	17.4	-	33.3	3.0	33.2	29.7	25.2	20.6	16.1	-		
	62	34.7	2.6	34.7	34.7	32.9	28.3	23.8	19.3	31.4	3.0	31.4	31.4	30.5	26.0	21.4	16.9		
	57	33.2	2.7	33.2	33.2	33.2	28.6	24.1	19.5	30.6	3.1	30.6	30.6	30.6	26.1	21.6	17.1		
1350	72	39.7	2.8	31.5	26.5	21.5	16.6	-	-	36.3	3.1	30.0	25.0	20.1	15.1	-	-		
	67	36.3	2.7	36.1	33.3	28.3	23.3	18.3	-	33.4	3.1	33.3	31.2	26.9	21.9	17.0	-		
	62	35.1	2.7	35.1	35.1	34.1	29.2	24.2	19.2	31.4	3.0	31.4	31.4	31.0	26.0	21.1	16.1		
	57	33.5	2.7	33.5	33.5	33.5	28.5	23.5	18.5	30.7	3.1	30.7	30.7	30.7	25.7	20.7	15.8		
1500	72	40.0	2.8	33.7	28.3	22.9	17.5	-	-	36.4	3.1	32.2	26.8	21.4	16.0	-	-		
	67	36.6	2.7	36.6	35.4	30.0	24.6	19.2	-	33.4	3.1	33.4	32.8	28.6	23.2	17.8	-		
	62	35.4	2.7	35.4	35.4	35.4	30.0	24.6	19.2	31.5	3.0	31.5	31.5	31.5	26.1	20.7	15.3		
	57	33.8	2.7	33.8	33.8	33.8	28.4	23.0	17.6	30.7	3.1	30.7	30.7	30.7	25.3	19.9	14.5		

**XP036 (3.0 Ton) (Continued)**

Air on Evaporator Coil		Temperature of Air on Condenser Coil															
CFM	WB (°F)	Total Capacity <sup>1</sup> (MBh)	Total Input (kW) <sup>2</sup>	Sensible Capacity (MBh)						Total Capacity <sup>1</sup> (MBh)	Total Input (kW) <sup>2</sup>	Sensible Capacity (MBh)					
				Return Dry Bulb (°F)								Return Dry Bulb (°F)					
				90	85	80	75	70	65			90	85	80	75	70	65
				115°F						125°F							
750	77	31.9	3.5	13.1	11.2	8.3	-	-	-	28.3	3.8	11.3	10.0	7.1	-	-	-
	72	29.6	3.5	18.9	16.0	13.1	10.1	-	-	26.4	3.8	17.7	14.8	11.9	8.9	-	-
	67	27.3	3.4	24.8	20.8	17.9	14.9	12.0	-	24.4	3.8	24.0	19.5	16.6	13.7	10.7	-
	62	25.0	3.5	25.0	25.0	21.1	18.1	15.2	12.3	21.5	3.9	21.5	21.5	19.0	16.0	13.1	10.2
900	77	33.2	3.5	16.1	12.7	9.2	-	-	-	29.7	3.8	14.8	11.4	7.9	-	-	-
	72	30.8	3.4	21.4	18.0	14.5	11.1	-	-	27.7	3.8	20.1	16.7	13.2	9.8	-	-
	67	28.4	3.4	26.7	23.3	19.8	16.4	12.9	-	25.7	3.8	25.4	22.0	18.5	15.1	11.7	-
	62	26.0	3.4	26.0	26.0	23.4	20.0	16.5	13.1	22.6	3.8	22.6	22.6	21.2	17.8	14.3	10.9
	57	26.0	3.5	26.0	26.0	23.4	20.0	16.5	13.1	23.3	3.9	23.3	23.3	21.1	17.7	14.2	10.8
1050	77	34.6	3.4	19.1	14.1	10.1	-	-	-	31.1	3.8	18.3	12.7	8.8	-	-	-
	72	32.1	3.4	23.9	19.9	16.0	12.0	-	-	29.0	3.8	22.5	18.6	14.6	10.7	-	-
	67	29.6	3.4	28.7	25.8	21.8	17.9	13.9	-	26.9	3.8	26.8	24.4	20.5	16.5	12.6	-
	62	27.0	3.4	27.0	27.0	25.7	21.8	17.8	13.8	23.6	3.8	23.6	23.6	23.4	19.5	15.5	11.6
	57	27.0	3.5	27.0	27.0	25.8	21.8	17.8	13.8	24.4	3.9	24.4	24.4	23.3	19.4	15.4	11.5
1200	77	35.9	3.4	22.1	15.5	11.0	-	-	-	32.5	3.7	21.8	14.1	9.6	-	-	-
	72	33.3	3.4	26.4	21.9	17.4	12.9	-	-	30.3	3.7	24.9	20.5	16.0	11.6	-	-
	67	30.7	3.4	30.7	28.3	23.8	19.3	14.8	-	28.1	3.7	28.1	26.9	22.4	18.0	13.5	-
	62	28.1	3.4	28.1	28.1	28.1	23.6	19.1	14.6	24.7	3.8	24.7	24.7	24.7	21.2	16.7	12.3
	57	28.1	3.4	28.1	28.1	28.1	23.6	19.1	14.6	25.5	3.8	25.5	25.5	25.5	21.1	16.6	12.2
1350	72	33.0	3.4	28.5	23.6	18.6	13.7	-	-	29.7	3.8	27.0	22.1	17.2	12.3	-	-
	67	30.4	3.4	30.4	29.2	25.5	20.5	15.6	-	27.5	3.8	27.5	27.2	24.1	19.1	14.2	-
	62	27.8	3.4	27.8	27.8	27.8	22.9	17.9	13.0	24.2	3.8	24.2	24.2	24.2	19.7	14.8	9.9
	57	27.8	3.5	27.8	27.8	27.8	22.9	17.9	13.0	25.0	3.8	25.0	25.0	25.0	20.1	15.2	10.2
1500	72	32.7	3.4	30.7	25.3	19.9	14.5	-	-	29.0	3.8	29.0	23.7	18.4	13.0	-	-
	67	30.1	3.4	30.1	30.1	27.1	21.7	16.3	-	26.9	3.8	26.9	26.9	25.7	20.3	14.9	-
	62	27.6	3.4	27.6	27.6	27.6	22.2	16.8	11.4	23.6	3.8	23.6	23.6	23.6	18.2	12.9	7.5
	57	27.6	3.5	27.6	27.6	27.6	22.2	16.8	11.4	24.5	3.9	24.5	24.5	24.5	19.1	13.7	8.3

1. These capacities are gross ratings. For net capacity, deduct air blower motor, MBh = 3.415 x kW. Refer to the appropriate Blower Performance Table for the kW of the supply air blower motor.
2. These ratings include the condenser fan motors (total 1 kW) and the compressor motors but not the supply air blower motor.

**XP048 (4.0 Ton)**

Air on Evaporator Coil		Temperature of Air on Condenser Coil															
CFM	WB (°F)	Total Capacity <sup>1</sup> (MBh)	Total Input (kW) <sup>2</sup>	Sensible Capacity (MBh)						Total Capacity <sup>1</sup> (MBh)	Total Input (kW) <sup>2</sup>	Sensible Capacity (MBh)					
				Return Dry Bulb (°F)								Return Dry Bulb (°F)					
				90	85	80	75	70	65			90	85	80	75	70	65
		75°F						85°F									
1000	77	60.0	2.8	26.9	22.4	18.0	-	-	-	54.8	3.2	22.8	18.7	14.6	-	-	-
	72	55.2	2.8	33.0	28.6	24.2	19.8	-	-	50.4	3.2	29.4	25.4	21.3	17.2	-	-
	67	50.3	2.8	39.2	34.9	30.5	26.1	21.7	-	46.0	3.2	36.1	32.0	27.9	23.8	19.8	-
	62	45.1	2.8	45.1	43.9	37.8	33.4	29.0	24.6	40.8	3.2	40.8	39.6	33.4	29.3	25.2	21.1
1200	77	61.8	2.8	29.3	24.4	19.5	-	-	-	57.0	3.2	25.6	20.9	16.2	-	-	-
	72	56.8	2.8	35.9	31.0	26.1	21.3	-	-	52.5	3.2	33.0	28.3	23.6	18.8	-	-
	67	51.7	2.8	42.6	37.7	32.8	27.9	23.0	-	47.9	3.2	40.4	35.7	30.9	26.2	21.5	-
	62	46.5	2.8	46.5	45.6	40.7	35.9	31.0	26.1	42.5	3.2	42.5	41.7	37.0	32.3	27.5	22.8
1400	77	63.6	2.8	31.6	26.4	21.0	-	-	-	59.3	3.2	28.5	23.1	17.8	-	-	-
	72	58.4	2.8	38.8	33.4	28.0	22.7	-	-	54.6	3.2	36.6	31.2	25.9	20.5	-	-
	67	53.2	2.8	46.0	40.5	35.1	29.7	24.4	-	49.8	3.2	44.7	39.3	34.0	28.6	23.2	-
	62	47.8	2.8	47.8	47.4	43.7	38.3	32.9	27.5	44.2	3.2	44.2	43.8	40.6	35.2	29.9	24.5
1600	77	65.4	2.8	34.0	28.3	22.5	-	-	-	61.6	3.2	31.4	25.4	19.3	-	-	-
	72	60.0	2.8	41.7	35.8	29.9	24.1	-	-	56.6	3.2	40.2	34.2	28.2	22.1	-	-
	67	54.7	2.8	49.3	43.3	37.4	31.5	25.7	-	51.7	3.2	49.0	43.0	37.0	31.0	24.9	-
	62	49.2	2.8	49.2	49.2	46.6	40.8	34.9	29.0	45.9	3.2	45.9	45.9	44.2	38.2	32.2	26.1
1800	77	61.4	2.8	45.7	39.0	32.3	25.6	-	-	57.1	3.2	43.0	36.4	29.7	23.1	-	-
	72	56.0	2.8	53.3	47.2	40.5	33.8	27.1	-	52.1	3.2	50.8	45.7	39.1	32.4	25.8	-
	67	50.3	2.8	50.3	50.3	49.0	42.3	35.6	28.9	46.3	3.2	46.3	46.3	45.4	38.8	32.2	25.5
	62	50.6	2.8	50.6	50.6	50.6	43.9	37.2	30.5	46.0	3.2	46.0	46.0	46.0	39.4	32.7	26.1
2000	77	62.8	2.8	49.8	42.3	34.7	27.2	-	-	57.5	3.2	45.8	38.5	31.3	24.1	-	-
	72	57.2	2.8	57.2	51.1	43.6	36.1	28.5	-	52.5	3.2	52.5	48.4	41.1	33.9	26.7	-
	67	51.4	2.8	51.4	51.4	51.4	43.9	36.4	28.8	46.6	3.2	46.6	46.6	46.6	39.4	32.1	24.9
	62	51.7	2.8	51.7	51.7	51.7	44.2	36.7	29.2	46.3	3.2	46.3	46.3	46.3	39.1	31.9	24.7
		95°F						105°F									
1000	77	49.5	3.6	18.7	15.0	11.2	-	-	-	45.8	3.9	17.2	14.4	10.7	-	-	-
	72	45.6	3.6	25.8	22.1	18.3	14.5	-	-	42.3	4.0	24.8	21.1	17.4	13.7	-	-
	67	41.7	3.6	33.0	29.1	25.4	21.6	17.8	-	38.7	4.0	32.4	27.9	24.2	20.5	16.8	-
	62	36.5	3.6	36.5	35.4	29.0	25.2	21.5	17.7	34.2	4.0	34.2	33.7	27.7	24.0	20.3	16.6
1200	77	52.3	3.6	22.0	17.5	12.9	-	-	-	48.0	4.0	21.0	16.6	12.1	-	-	-
	72	48.2	3.6	30.1	25.6	21.0	16.4	-	-	44.3	4.0	28.7	24.2	19.7	15.3	-	-
	67	44.1	3.6	38.2	33.7	29.1	24.5	19.9	-	40.6	4.0	36.4	31.9	27.4	22.9	18.5	-
	62	38.6	3.6	38.6	37.8	33.3	28.7	24.1	19.5	35.9	4.0	35.9	35.5	31.4	26.9	22.4	18.0
1400	77	55.0	3.6	25.4	19.9	14.5	-	-	-	50.3	4.0	24.9	18.8	13.5	-	-	-
	72	50.7	3.6	34.4	29.1	23.7	18.3	-	-	46.4	4.0	32.6	27.3	22.1	16.8	-	-
	67	46.4	3.6	43.5	38.2	32.8	27.4	22.1	-	42.5	4.0	40.4	35.9	30.6	25.4	20.1	-
	62	40.6	3.6	40.6	40.3	37.5	32.2	26.8	21.4	37.6	4.0	37.6	37.4	35.1	29.8	24.6	19.3
1600	77	57.8	3.6	28.7	22.4	16.2	-	-	-	52.5	4.0	28.7	21.0	14.9	-	-	-
	72	53.3	3.6	38.7	32.6	26.4	20.2	-	-	48.4	4.0	36.5	30.5	24.4	18.3	-	-
	67	48.7	3.6	48.7	42.7	36.6	30.4	24.2	-	44.4	4.0	44.4	39.9	33.9	27.8	21.8	-
	62	42.7	3.6	42.7	42.7	41.8	35.6	29.4	23.3	39.2	4.0	39.2	39.2	38.8	32.7	26.7	20.6
1800	77	52.7	3.6	40.3	33.7	27.1	20.6	-	-	48.0	4.0	38.1	31.5	24.9	18.3	-	-
	72	48.2	3.6	48.2	44.2	37.6	31.1	24.5	-	43.9	4.0	43.9	41.2	34.6	28.0	21.4	-
	67	42.2	3.6	42.2	42.2	41.8	35.2	28.7	22.1	38.8	4.0	38.8	38.8	38.6	32.0	25.4	18.8
	62	41.4	3.6	41.4	41.4	41.4	34.8	28.3	21.7	38.5	4.0	38.5	38.5	38.5	31.9	25.3	18.7
2000	72	52.2	3.6	41.8	34.8	27.9	21.0	-	-	47.5	4.0	39.7	32.6	25.4	18.3	-	-
	67	47.7	3.6	47.7	45.6	38.7	31.8	24.9	-	43.5	4.0	43.5	42.4	35.3	28.1	21.0	-
	62	41.8	3.6	41.8	41.8	41.8	34.9	27.9	21.0	38.5	4.0	38.5	38.5	38.5	31.3	24.2	17.0
	57	40.9	3.6	40.9	40.9	40.9	34.0	27.1	20.2	38.1	4.0	38.1	38.1	38.1	30.9	23.8	16.7

**XP048 (4.0 Ton) (Continued)**

Air on Evaporator Coil		Temperature of Air on Condenser Coil															
CFM	WB (°F)	Total Capacity <sup>1</sup> (MBh)	Total Input (kW) <sup>2</sup>	Sensible Capacity (MBh)						Total Capacity <sup>1</sup> (MBh)	Total Input (kW) <sup>2</sup>	Sensible Capacity (MBh)					
				Return Dry Bulb (°F)								Return Dry Bulb (°F)					
				90	85	80	75	70	65			90	85	80	75	70	65
				115°F						125°F							
1000	77	42.1	4.3	15.8	13.7	10.1	-	-	-	38.5	4.7	14.4	13.1	9.6	-	-	-
	72	38.9	4.3	23.8	20.2	16.6	13.0	-	-	35.6	4.7	22.7	19.2	15.7	12.2	-	-
	67	35.7	4.4	31.7	26.6	23.0	19.4	15.8	-	32.7	4.7	31.1	25.3	21.8	18.3	14.8	-
	62	31.9	4.3	31.9	31.9	26.4	22.8	19.2	15.6	29.6	4.7	29.6	29.6	25.1	21.6	18.0	14.5
1200	77	43.8	4.4	20.1	15.7	11.3	-	-	-	39.6	4.7	19.1	14.8	10.5	-	-	-
	72	40.5	4.4	27.3	22.9	18.5	14.1	-	-	36.6	4.8	25.8	21.6	17.3	13.0	-	-
	67	37.1	4.4	34.5	30.1	25.7	21.3	17.0	-	33.7	4.8	32.6	28.3	24.0	19.8	15.5	-
	62	33.2	4.4	33.2	33.2	29.5	25.1	20.8	16.4	30.5	4.8	30.5	30.5	27.6	23.3	19.1	14.8
	57	33.3	4.4	33.3	33.3	29.6	25.2	20.8	16.5	31.0	4.8	31.0	31.0	27.7	23.5	19.2	14.9
1400	77	45.5	4.4	24.3	17.7	12.5	-	-	-	40.7	4.8	23.8	16.5	11.5	-	-	-
	72	42.0	4.4	30.8	25.6	20.5	15.3	-	-	37.7	4.8	29.0	23.9	18.9	13.8	-	-
	67	38.5	4.4	37.2	33.6	28.5	23.3	18.1	-	34.6	4.9	34.1	31.3	26.3	21.2	16.2	-
	62	34.5	4.4	34.5	34.5	32.6	27.5	22.3	17.2	31.4	4.9	31.4	31.4	30.2	25.1	20.1	15.1
	57	34.6	4.4	34.6	34.6	32.7	27.6	22.4	17.3	32.0	4.8	32.0	32.0	30.3	25.3	20.2	15.2
1600	77	47.2	4.4	28.6	19.6	13.7	-	-	-	41.9	4.9	28.5	18.3	12.5	-	-	-
	72	43.6	4.4	34.3	28.4	22.4	16.5	-	-	38.7	4.9	32.1	26.3	20.5	14.7	-	-
	67	40.0	4.5	40.0	37.1	31.2	25.2	19.3	-	35.6	4.9	35.6	34.3	28.5	22.7	16.9	-
	62	35.8	4.5	35.8	35.8	35.8	29.8	23.9	18.0	32.3	4.9	32.3	32.3	32.3	26.9	21.1	15.3
	57	35.8	4.4	35.8	35.8	35.8	29.9	24.0	18.1	32.9	4.9	32.9	32.9	32.9	27.1	21.3	15.5
1800	72	43.2	4.4	36.0	29.3	22.7	16.0	-	-	38.4	4.9	33.8	27.2	20.5	13.8	-	-
	67	39.6	4.5	39.6	38.2	31.5	24.9	18.2	-	35.3	4.9	35.3	35.2	28.5	21.8	15.1	-
	62	35.5	4.5	35.5	35.5	35.5	28.8	22.2	15.5	32.1	4.9	32.1	32.1	32.1	25.6	18.9	12.2
	57	35.5	4.4	35.5	35.5	35.5	28.9	22.3	15.6	32.6	4.9	32.6	32.6	32.6	25.9	19.2	12.6
2000	72	42.8	4.4	37.7	30.3	22.9	15.6	-	-	38.2	4.9	35.6	28.0	20.4	12.9	-	-
	67	39.3	4.5	39.3	39.2	31.9	24.5	17.1	-	35.1	4.9	35.1	35.1	28.4	20.9	13.3	-
	62	35.1	4.4	35.1	35.1	35.1	27.8	20.4	13.0	31.8	4.9	31.8	31.8	31.8	24.2	16.7	9.1
	57	35.2	4.4	35.2	35.2	35.2	27.9	20.5	13.1	32.4	4.9	32.4	32.4	32.4	24.8	17.2	9.6

1. These capacities are gross ratings. For net capacity, deduct air blower motor, MBh = 3.415 x kW. Refer to the appropriate Blower Performance Table for the kW of the supply air blower motor.
2. These ratings include the condenser fan motors (total 1 kW) and the compressor motors but not the supply air blower motor.

**XP060 (5.0 Ton)**

Air on Evaporator Coil		Temperature of Air on Condenser Coil															
CFM	WB (°F)	Total Capacity <sup>1</sup> (MBh)	Total Input (kW) <sup>2</sup>	Sensible Capacity (MBh)						Total Capacity <sup>1</sup> (MBh)	Total Input (kW) <sup>2</sup>	Sensible Capacity (MBh)					
				Return Dry Bulb (°F)								Return Dry Bulb (°F)					
				90	85	80	75	70	65			90	85	80	75	70	65
		<b>75°F</b>								<b>85°F</b>							
1250	77	69.7	3.8	25.8	21.7	17.7	-	-	-	67.7	4.3	26.6	21.9	17.2	-	-	-
	72	64.2	3.7	34.2	30.1	26.0	22.0	-	-	62.6	4.3	35.2	30.6	25.9	21.2	-	-
	67	58.7	3.7	42.6	38.5	34.4	30.3	26.3	-	57.5	4.2	43.9	39.2	34.5	29.9	25.2	-
	62	52.8	3.6	52.8	47.5	41.2	37.1	33.1	29.0	52.0	4.2	52.0	49.4	42.1	37.4	32.7	28.0
1500	77	74.1	3.8	30.6	25.3	20.0	-	-	-	70.7	4.3	30.5	24.9	19.2	-	-	-
	72	68.3	3.8	40.1	34.8	29.5	24.2	-	-	65.4	4.3	40.2	34.5	28.8	23.1	-	-
	67	62.4	3.7	49.6	44.3	39.0	33.7	28.4	-	60.1	4.2	49.9	44.2	38.5	32.8	27.1	-
	62	56.2	3.7	56.2	52.6	46.8	41.5	36.2	30.9	54.4	4.2	54.4	52.6	46.9	41.2	35.5	29.9
	57	54.6	3.7	54.6	54.6	49.3	44.0	38.7	33.4	53.5	4.2	53.5	53.5	48.1	42.4	36.7	31.0
1750	77	78.6	3.9	35.4	28.9	22.3	-	-	-	73.8	4.4	34.5	27.8	21.1	-	-	-
	72	72.3	3.8	46.0	39.5	33.0	26.5	-	-	68.2	4.3	45.2	38.5	31.8	25.1	-	-
	67	66.1	3.7	56.7	50.1	43.6	37.1	30.6	-	62.7	4.2	55.9	49.2	42.5	35.8	29.1	-
	62	59.6	3.7	59.6	57.8	52.3	45.8	39.3	32.7	56.8	4.2	56.8	55.9	51.8	45.1	38.4	31.7
	57	57.9	3.7	57.9	57.9	55.1	48.6	42.1	35.5	55.8	4.2	55.8	55.8	53.0	46.3	39.6	32.9
2000	77	83.0	3.9	40.2	32.4	24.7	-	-	-	76.9	4.4	38.5	30.8	23.1	-	-	-
	72	76.4	3.8	51.9	44.2	36.4	28.7	-	-	71.1	4.3	50.2	42.5	34.8	27.1	-	-
	67	69.9	3.7	63.7	56.0	48.2	40.5	32.7	-	65.3	4.2	61.8	54.1	46.4	38.7	31.0	-
	62	62.9	3.7	62.9	62.9	57.8	50.1	42.4	34.6	59.1	4.2	59.1	59.1	56.6	48.9	41.2	33.5
	57	61.2	3.7	61.2	61.2	60.9	53.2	45.4	37.7	58.1	4.2	58.1	58.1	58.0	50.3	42.5	34.8
2250	72	77.0	3.8	54.6	46.4	38.3	30.2	-	-	71.7	4.3	52.8	44.7	36.6	28.5	-	-
	67	70.4	3.8	67.3	58.8	50.7	42.5	34.4	-	65.9	4.3	64.1	57.0	48.9	40.8	32.7	-
	62	63.4	3.7	63.4	63.4	60.9	52.7	44.6	36.4	59.6	4.2	59.6	59.6	58.4	50.3	42.1	34.0
	57	61.7	3.7	61.7	61.7	61.5	53.4	45.2	37.1	58.6	4.2	58.6	58.6	58.5	50.4	42.3	34.2
2500	72	77.6	3.8	57.2	48.7	40.2	31.6	-	-	72.3	4.3	55.5	47.0	38.5	30.0	-	-
	67	70.9	3.8	70.9	61.7	53.1	44.6	36.0	-	66.4	4.3	66.4	59.9	51.4	42.9	34.4	-
	62	63.9	3.7	63.9	63.9	63.9	55.3	46.8	38.2	60.1	4.2	60.1	60.1	60.1	51.6	43.1	34.6
	57	62.1	3.7	62.1	62.1	62.1	53.6	45.0	36.5	59.1	4.2	59.1	59.1	59.1	50.6	42.1	33.6
		<b>95°F</b>								<b>105°F</b>							
1250	77	65.6	4.8	27.3	22.0	16.7	-	-	-	61.6	5.4	25.0	20.8	15.6	-	-	-
	72	60.9	4.8	36.3	31.0	25.7	20.4	-	-	56.8	5.4	34.5	29.3	24.2	19.0	-	-
	67	56.3	4.7	45.3	40.0	34.7	29.4	24.1	-	52.0	5.3	44.1	37.9	32.7	27.6	22.4	-
	62	51.3	4.7	51.3	51.3	43.0	37.7	32.4	27.1	48.0	5.3	48.0	48.0	39.8	34.6	29.5	24.3
1500	77	67.3	4.8	30.5	24.4	18.3	-	-	-	63.1	5.4	29.1	23.1	17.1	-	-	-
	72	62.5	4.8	40.3	34.3	28.2	22.1	-	-	58.2	5.4	38.5	32.5	26.6	20.6	-	-
	67	57.7	4.7	50.2	44.1	38.0	31.9	25.8	-	53.3	5.3	47.9	41.9	36.0	30.0	24.0	-
	62	52.6	4.7	52.6	52.6	47.1	41.0	34.9	28.8	49.2	5.3	49.2	49.2	43.7	37.8	31.8	25.8
	57	52.4	4.7	52.4	52.4	46.8	40.8	34.7	28.6	49.1	5.3	49.1	49.1	43.6	37.7	31.7	25.8
1750	77	69.0	4.9	33.7	26.8	19.9	-	-	-	64.7	5.4	33.2	25.4	18.7	-	-	-
	72	64.1	4.8	44.4	37.5	30.6	23.7	-	-	59.6	5.4	42.5	35.7	28.9	22.2	-	-
	67	59.2	4.7	55.1	48.2	41.3	34.4	27.5	-	54.6	5.3	51.7	46.0	39.2	32.5	25.7	-
	62	54.0	4.7	54.0	54.0	51.2	44.3	37.4	30.6	50.4	5.3	50.4	50.4	47.7	40.9	34.1	27.4
	57	53.7	4.7	53.7	53.7	50.9	44.1	37.2	30.3	50.3	5.3	50.3	50.3	47.6	40.8	34.1	27.3
2000	77	70.8	4.9	36.9	29.2	21.5	-	-	-	66.2	5.5	37.3	27.8	20.2	-	-	-
	72	65.8	4.8	48.4	40.8	33.1	25.4	-	-	61.1	5.4	46.4	38.9	31.3	23.8	-	-
	67	60.7	4.7	60.0	52.3	44.6	37.0	29.3	-	55.9	5.3	55.5	50.0	42.4	34.9	27.3	-
	62	55.3	4.7	55.3	55.3	55.3	47.6	40.0	32.3	51.6	5.3	51.6	51.6	51.6	44.0	36.5	29.0
	57	55.1	4.7	55.1	55.1	55.0	47.3	39.7	32.0	51.5	5.3	51.5	51.5	51.5	43.9	36.4	28.9
2250	72	66.4	4.8	51.1	43.0	35.0	26.9	-	-	61.7	5.4	49.6	41.5	33.4	25.3	-	-
	67	61.3	4.7	60.9	55.2	47.2	39.1	31.0	-	56.5	5.3	56.3	52.6	45.3	37.2	29.1	-
	62	55.9	4.7	55.9	55.9	55.9	47.8	39.7	31.6	52.1	5.3	52.1	52.1	52.1	44.1	36.0	27.9
	57	55.6	4.7	55.6	55.6	55.6	47.5	39.4	31.4	52.1	5.3	52.1	52.1	52.1	44.0	35.9	27.8
2500	72	67.0	4.8	53.8	45.3	36.8	28.4	-	-	62.4	5.4	52.7	44.1	35.5	26.9	-	-
	67	61.9	4.7	61.9	58.2	49.7	41.2	32.7	-	57.1	5.3	57.1	55.3	48.1	39.5	30.9	-
	62	56.4	4.7	56.4	56.4	56.4	47.9	39.4	31.0	52.7	5.3	52.7	52.7	52.7	44.1	35.5	26.9
	57	56.1	4.7	56.1	56.1	56.1	47.7	39.2	30.7	52.6	5.3	52.6	52.6	52.6	44.0	35.4	26.8

**XP060 (5.0 Ton) (Continued)**

Air on Evaporator Coil		Temperature of Air on Condenser Coil															
CFM	WB (°F)	Total Capacity <sup>1</sup> (MBh)	Total Input (kW) <sup>2</sup>	Sensible Capacity (MBh)						Total Capacity <sup>1</sup> (MBh)	Total Input (kW) <sup>2</sup>	Sensible Capacity (MBh)					
				Return Dry Bulb (°F)								Return Dry Bulb (°F)					
				90	85	80	75	70	65			90	85	80	75	70	65
				<b>115°F</b>						<b>125°F</b>							
1250	77	57.6	6.0	22.6	19.5	14.5	-	-	-	53.6	6.6	20.0	18.3	13.4	-	-	-
	72	52.7	5.9	32.7	27.7	22.6	17.6	-	-	48.5	6.5	31.0	26.0	21.1	16.2	-	-
	67	47.7	5.9	42.9	35.8	30.8	25.7	20.7	-	43.5	6.5	41.7	33.8	28.8	23.9	19.0	-
	62	44.7	5.9	44.7	44.7	36.6	31.6	26.5	21.5	41.4	6.4	41.4	41.4	33.4	28.5	23.6	18.7
1500	77	59.0	6.0	27.6	21.8	16.0	-	-	-	54.8	6.6	26.2	20.5	14.8	-	-	-
	72	53.9	6.0	36.6	30.8	25.0	19.1	-	-	49.6	6.5	34.8	29.1	23.4	17.7	-	-
	67	48.8	5.9	45.6	39.8	33.9	28.1	22.3	-	44.4	6.5	43.3	37.6	31.9	26.2	20.5	-
	62	45.8	5.9	45.8	45.8	40.4	34.5	28.7	22.9	42.3	6.5	42.3	42.3	37.0	31.3	25.6	19.9
	57	45.8	5.9	45.8	45.8	40.4	34.6	28.8	22.9	42.6	6.4	42.6	42.6	37.2	31.5	25.8	20.1
1750	77	60.3	6.0	32.7	24.1	17.5	-	-	-	56.0	6.6	32.4	22.7	16.2	-	-	-
	72	55.1	6.0	40.5	33.9	27.3	20.7	-	-	50.6	6.6	38.6	32.1	25.6	19.1	-	-
	67	50.0	5.9	48.3	43.7	37.1	30.5	23.8	-	45.3	6.5	45.0	41.5	35.0	28.5	22.0	-
	62	46.8	5.9	46.8	46.8	44.1	37.5	30.9	24.2	43.2	6.5	43.2	43.2	40.5	34.1	27.6	21.1
	57	46.9	5.9	46.9	46.9	44.2	37.6	30.9	24.3	43.5	6.5	43.5	43.5	40.8	34.3	27.8	21.3
2000	77	61.7	6.0	37.8	26.4	18.9	-	-	-	57.1	6.6	38.6	24.9	17.7	-	-	-
	72	56.4	6.0	44.4	37.0	29.6	22.2	-	-	51.7	6.6	42.4	35.1	27.9	20.6	-	-
	67	51.1	5.9	51.1	47.7	40.2	32.8	25.4	-	46.2	6.5	46.2	45.3	38.1	30.8	23.5	-
	62	47.8	5.9	47.8	47.8	47.8	40.4	33.0	25.6	44.1	6.5	44.1	44.1	44.1	36.8	29.6	22.3
	57	47.9	5.9	47.9	47.9	47.9	40.5	33.1	25.7	44.4	6.5	44.4	44.4	44.4	37.1	29.8	22.6
2250	72	57.1	6.0	48.1	40.0	31.9	23.8	-	-	52.4	6.6	46.5	38.5	30.4	22.3	-	-
	67	51.7	5.9	51.7	50.0	43.4	35.3	27.2	-	46.9	6.5	46.9	46.9	41.5	33.4	25.3	-
	62	48.4	5.9	48.4	48.4	48.4	40.4	32.3	24.2	44.7	6.5	44.7	44.7	44.7	36.6	28.6	20.5
	57	48.5	5.9	48.5	48.5	48.5	40.5	32.4	24.3	45.0	6.5	45.0	45.0	45.0	36.9	28.8	20.8
2500	72	57.7	6.0	51.7	43.0	34.2	25.5	-	-	53.1	6.6	50.6	41.8	32.9	24.0	-	-
	67	52.3	5.9	52.3	52.3	46.5	37.8	29.0	-	47.5	6.5	47.5	47.5	44.9	36.0	27.2	-
	62	49.0	5.9	49.0	49.0	49.0	40.3	31.5	22.8	45.3	6.5	45.3	45.3	45.3	36.4	27.6	18.7
	57	49.1	5.9	49.1	49.1	49.1	40.4	31.6	22.9	45.6	6.5	45.6	45.6	45.6	36.7	27.8	19.0

1. These capacities are gross ratings. For net capacity, deduct air blower motor, MBh = 3.415 x kW. Refer to the appropriate Blower Performance Table for the kW of the supply air blower motor.
2. These ratings include the condenser fan motors (total 1 kW) and the compressor motors but not the supply air blower motor.

## XP036-060 Heating Capacities

Size (Tons)	Model	Air Over Evaporator Coil		Capacity <sup>1</sup> & kW	Outdoor Temperature (°F @ 72% RH)							
		CFM	DB (°F)		-10	0	10	20	30	40	50	60
036 (3 0)	XP	900	55	MBH	8.8	13.0	17.3	21.5	25.7	29.9	34.1	38.3
			70	KW	1.6	1.6	1.7	1.7	1.8	1.9	1.9	2.0
				MBH	5.5	9.8	14.0	18.2	22.4	26.6	30.8	35.0
			80	KW	1.9	2.0	2.1	2.1	2.2	2.2	2.3	2.4
				MBH	5.1	9.3	13.5	17.7	21.9	26.2	30.4	34.6
			1200	55	KW	2.2	2.2	2.3	2.4	2.4	2.5	2.6
		MBH			10.3	14.5	18.7	22.9	27.1	31.3	35.5	39.8
		70		KW	1.2	1.3	1.4	1.4	1.5	1.6	1.6	1.7
				MBH	7.0	11.2	15.4	19.6	23.8	28.0	32.2	36.4
		80		KW	1.6	1.7	1.7	1.8	1.9	1.9	2.0	2.1
				MBH	6.5	10.8	15.0	19.2	23.4	27.6	31.8	36.0
		1500	55	KW	1.8	1.9	2.0	2.0	2.1	2.2	2.2	2.3
MBH	9.5			13.7	17.9	22.1	26.3	30.5	34.8	39.0		
70	KW		0.5	0.6	0.7	0.7	0.8	0.9	0.9	1.0		
	MBH		6.2	10.4	14.6	18.8	23.0	27.3	31.5	35.7		
80	KW		0.9	1.0	1.0	1.1	1.2	1.2	1.3	1.4		
	MBH		5.8	10.0	14.2	18.4	22.6	26.8	31.0	35.2		
048 (4 0)	XP	1200	55	KW	1.2	1.2	1.3	1.4	1.4	1.5	1.5	1.6
				MBH	11.8	17.1	22.5	27.9	33.3	38.6	44.0	49.4
			70	KW	2.7	2.7	2.8	2.8	2.9	2.9	3.0	3.0
				MBH	9.1	14.5	19.9	25.2	30.6	36.0	41.3	46.7
			80	KW	3.2	3.2	3.3	3.3	3.4	3.4	3.5	3.5
				MBH	8.6	14.0	19.4	24.7	30.1	35.5	40.8	46.2
060 (5 0)	XP	1600	55	KW	3.7	3.7	3.8	3.8	3.9	3.9	4.0	4.0
				MBH	13.5	18.9	24.2	29.6	35.0	40.3	45.7	51.1
			70	KW	2.3	2.3	2.4	2.4	2.5	2.5	2.6	2.6
				MBH	10.8	16.2	21.6	26.9	32.3	37.7	43.0	48.4
			80	KW	2.8	2.8	2.9	2.9	2.9	3.0	3.0	3.1
				MBH	10.3	15.7	21.1	26.4	31.8	37.2	42.6	47.9
060 (5 0)	XP	2000	55	KW	3.3	3.3	3.4	3.4	3.5	3.5	3.6	3.6
				MBH	12.1	17.5	22.9	28.3	33.6	39.0	44.4	49.7
			70	KW	1.5	1.6	1.6	1.6	1.7	1.7	1.8	1.8
				MBH	9.5	14.9	20.2	25.6	31.0	36.3	41.7	47.1
			80	KW	2.0	2.0	2.1	2.1	2.2	2.2	2.3	2.3
				MBH	9.0	14.4	19.7	25.1	30.5	35.8	41.2	46.6
060 (5 0)	XP	2500	55	KW	2.5	2.6	2.6	2.7	2.7	2.7	2.8	2.8
				MBH	18.1	24.6	31.1	37.7	44.2	50.8	57.3	63.8
			70	KW	3.5	3.6	3.7	3.9	4.0	4.1	4.2	4.4
				MBH	17.5	24.0	30.6	37.1	43.6	50.2	56.7	63.3
			80	KW	4.4	4.5	4.6	4.8	4.9	5.0	5.1	5.3
				MBH	17.5	24.0	30.5	37.1	43.6	50.2	56.7	63.2
060 (5 0)	XP	2000	55	KW	4.9	5.0	5.2	5.3	5.4	5.5	5.7	5.8
				MBH	20.8	27.4	33.9	40.4	47.0	53.5	60.0	66.6
			70	KW	3.7	3.8	3.9	4.0	4.2	4.3	4.4	4.6
				MBH	20.2	26.8	33.3	39.9	46.4	52.9	59.5	66.0
			80	KW	4.6	4.7	4.8	4.9	5.1	5.2	5.3	5.5
				MBH	20.2	26.8	33.3	39.8	46.4	52.9	59.4	66.0
060 (5 0)	XP	2500	55	KW	5.1	5.2	5.3	5.5	5.6	5.7	5.9	6.0
				MBH	23.1	29.6	36.2	42.7	49.2	55.8	62.3	68.9
			70	KW	3.9	4.0	4.1	4.3	4.4	4.5	4.6	4.8
				MBH	22.5	29.1	35.6	42.1	48.7	55.2	61.7	68.3
			80	KW	4.8	4.9	5.0	5.2	5.3	5.4	5.5	5.7
				MBH	22.5	29.0	35.6	42.1	48.6	55.2	61.7	68.3
80	KW	5.3	5.4	5.5	5.7	5.8	5.9	6.1	6.2			
	MBH	22.5	29.0	35.6	42.1	48.6	55.2	61.7	68.3			

1. These capacities do not include the supply air blower motor heat. For net capacity, add motor heat,  
 MBh = 3.415 x kW.

## Airflow Performance

### ZF036-072 Side Duct Application

#### ZF036 (3 Ton Belt Drive) Side Duct

Air Flow (CFM)	Available External Static Pressure - IWG <sup>1</sup>																			
	0.2		0.4		0.6		0.8		1.0		1.2		1.4		1.6		1.8		2.0	
	RPM	BHP	RPM	BHP	RPM	BHP	RPM	BHP	RPM	BHP	RPM	BHP	RPM	BHP	RPM	BHP	RPM	BHP	RPM	BHP
	Field Supplied Drive				Standard Drive Option								High Static Drive Option							
800	634	0.34	735	0.39	828	0.45	914	0.52	995	0.59	1070	0.67	1140	0.75	1207	0.83	1270	0.92	1332	1.00
1000	659	0.39	760	0.45	853	0.51	939	0.57	1019	0.65	1094	0.72	1165	0.80	1232	0.89	1295	0.97	1356	1.06
1200	685	0.47	786	0.52	879	0.58	965	0.65	1045	0.72	1120	0.80	1191	0.88	1258	0.96	1321	1.05	1382	1.13
1400	716	0.57	816	0.62	909	0.68	995	0.75	1076	0.82	1151	0.90	1221	0.98	1288	1.06	1352	1.15	1413	1.23
1600	752	0.69	852	0.75	945	0.81	1032	0.88	1112	0.95	1187	1.03	1258	1.11	1324	1.19	1388	1.27	1449	1.36
																				FS <sup>4</sup>

1. Blower performance includes gas heat exchangers and 1" filters. See STATIC RESISTANCE table for additional applications.
2. See RPM SELECTION table to determine desired motor sheave setting and to determine the maximum continuous BHP.
3. kW = BHP x 0.932.
4. Field Supplied Drive.

#### ZF048 (4 Ton Belt Drive) Side Duct

Air Flow (CFM)	Available External Static Pressure - IWG <sup>1</sup>																			
	0.2		0.4		0.6		0.8		1.0		1.2		1.4		1.6		1.8		2.0	
	RPM	BHP	RPM	BHP	RPM	BHP	RPM	BHP	RPM	BHP	RPM	BHP	RPM	BHP	RPM	BHP	RPM	BHP	RPM	BHP
	Field Supplied Drive				Standard Drive Option								High Static Drive Option							
1000	703	0.39	786	0.47	866	0.54	942	0.62	1016	0.71	1087	0.79	1155	0.88	1221	0.98	1284	1.07	1345	1.17
1200	733	0.44	817	0.52	896	0.60	973	0.68	1047	0.76	1118	0.85	1186	0.94	1252	1.03	1315	1.12	1376	1.22
1400	770	0.52	853	0.60	933	0.67	1010	0.76	1083	0.84	1154	0.93	1222	1.02	1288	1.11	1352	1.20	1413	1.30
1600	811	0.64	895	0.71	974	0.79	1051	0.87	1125	0.96	1196	1.04	1264	1.13	1330	1.23	1393	1.32	1454	1.42
1800	857	0.80	940	0.87	1020	0.95	1097	1.03	1171	1.11	1242	1.20	1310	1.29	1375	1.38	1439	1.48	1500	1.58
2000	907	1.00	990	1.07	1070	1.15	1146	1.23	1220	1.31	1291	1.40	1359	1.49	1425	1.58	1488	1.68	1550	1.77
																				FS <sup>4</sup>

1. Blower performance includes gas heat exchangers and 1" filters. See STATIC RESISTANCE table for additional applications.
2. See RPM SELECTION table to determine desired motor sheave setting and to determine the maximum continuous BHP.
3. kW = BHP x 0.932.
4. Field Supplied Drive.

#### ZF060 (5 Ton Belt Drive) Side Duct

Air Flow (CFM)	Available External Static Pressure - IWG <sup>1</sup>																			
	0.2		0.4		0.6		0.8		1.0		1.2		1.4		1.6		1.8		2.0	
	RPM	BHP	RPM	BHP	RPM	BHP	RPM	BHP	RPM	BHP	RPM	BHP	RPM	BHP	RPM	BHP	RPM	BHP	RPM	BHP
	Field Supplied Drive				Standard Drive Option								High Static Drive Option							
1200	733	0.44	817	0.52	896	0.60	973	0.68	1047	0.76	1118	0.85	1186	0.94	1252	1.03	1315	1.12	1376	1.22
1400	770	0.52	853	0.60	933	0.67	1010	0.76	1083	0.84	1154	0.93	1222	1.02	1288	1.11	1352	1.20	1413	1.30
1600	811	0.64	895	0.71	974	0.79	1051	0.87	1125	0.96	1196	1.04	1264	1.13	1330	1.23	1393	1.32	1454	1.42
1800	857	0.80	940	0.87	1020	0.95	1097	1.03	1171	1.11	1242	1.20	1310	1.29	1375	1.38	1439	1.48	1500	1.58
2000	907	1.00	990	1.07	1070	1.15	1146	1.23	1220	1.31	1291	1.40	1359	1.49	1425	1.58	1488	1.68	1550	1.77
2200	960	1.24	1043	1.31	1123	1.39	1199	1.47	1273	1.55	1344	1.64	1412	1.73	1478	1.82	1541	1.92	1602	2.01
2400	1015	1.51	1099	1.59	1178	1.66	1255	1.74	1329	1.83	1400	1.92	1468	2.01	1534	2.10	1597	2.19	1658	2.29
2600	1074	1.83	1157	1.90	1237	1.98	1314	2.06	1387	2.14	1458	2.23	-	-	-	-	-	-	-	-

1. Blower performance includes gas heat exchangers and 1" filters. See STATIC RESISTANCE table for additional applications.
2. See RPM SELECTION table to determine desired motor sheave setting and to determine the maximum continuous BHP.
3. kW = BHP x 0.932.



**ZF072 (6 Ton Belt Drive) - Side Duct**

Air Flow (CFM)	Available External Static Pressure - IWG <sup>1</sup>																			
	0.2		0.4		0.6		0.8		1.0		1.2		1.4		1.6		1.8		2.0	
	RPM	BHP	RPM	BHP	RPM	BHP	RPM	BHP	RPM	BHP	RPM	BHP	RPM	BHP	RPM	BHP	RPM	BHP	RPM	BHP
	Field Supplied Drive				Standard Drive Option						High Static Drive Option									
1600	811	0.64	895	0.71	974	0.79	1051	0.87	1125	0.96	1196	1.04	1264	1.13	1330	1.23	1393	1.32	1454	1.42
1800	857	0.80	940	0.87	1020	0.95	1097	1.03	1171	1.11	1242	1.20	1310	1.29	1375	1.38	1439	1.48	1500	1.58
2000	907	1.00	990	1.07	1070	1.15	1146	1.23	1220	1.31	1291	1.40	1359	1.49	1425	1.58	1488	1.68	1550	1.77
2200	960	1.24	1043	1.31	1123	1.39	1199	1.47	1273	1.55	1344	1.64	1412	1.73	1478	1.82	1541	1.92	1602	2.01
2400	1015	1.51	1099	1.59	1178	1.66	1255	1.74	1329	1.83	1400	1.92	1468	2.01	1534	2.10	1597	2.19	1658	2.29
2600	1074	1.83	1157	1.90	1237	1.98	1314	2.06	1387	2.14	1458	2.23	1526	2.32	1592	2.41	1656	2.51	1717	2.61
2800	1135	2.18	1218	2.25	1298	2.33	1375	2.41	1448	2.49	1519	2.58	1587	2.67	1653	2.76	1717	2.86	1778	2.96
3000	1198	2.56	1281	2.64	1361	2.71	1438	2.79	1511	2.88	1582	2.96	1651	3.05	1716	3.15	1780	3.24	-	-
															Field Supplied Drive					

1. Blower performance includes gas heat exchangers and 1" filters. See STATIC RESISTANCE table for additional applications.
2. See RPM SELECTION table to determine desired motor sheave setting and to determine the maximum continuous BHP.
3. kW = BHP x 0.932.

**ZF036 - 072 (3-6 Ton Direct Drive) Side Duct**

UNIT TONNAGE	MOTOR <sup>1</sup> SPEED	AVAILABLE EXTERNAL STATIC PRESSURE - IWG <sup>2</sup>																	
		0.2		0.3		0.4		0.5		0.6		0.7		0.8		0.9		1.0	
		CFM	WATTS	CFM	WATTS	CFM	WATTS	CFM	WATTS	CFM	WATTS	CFM	WATTS	CFM	WATTS	CFM	WATTS	CFM	WATTS
3 <sup>3</sup>	HI	1574	320	1530	335	1488	349	1451	363	1411	376	1374	390	1331	403	1292	417	1249	430
	MED/HI	1480	263	1433	276	1389	290	1347	303	1303	316	1257	329	1208	343	1153	358	1080	374
	MED	1332	208	1286	221	1241	234	1195	246	1146	258	1097	272	1031	288	962	303	919	313
	MED/LOW	1227	171	1178	183	1129	195	1076	207	1021	220	953	235	891	248	-	-	-	-
4 <sup>3</sup>	LOW	1075	130	992	134	930	145	858	158	-	-	-	-	-	-	-	-	-	-
	HI	-	-	2067	696	2027	714	1991	734	1953	749	1910	764	1860	769	1770	743	1621	685
	MED/HI	1913	539	1877	557	1839	571	1798	585	1764	602	1721	619	1677	638	1621	653	1545	639
	MED	1722	408	1682	426	1634	438	1597	455	1554	472	1506	490	1450	505	1404	521	1370	536
5 <sup>3</sup>	MED/LOW	1621	362	1580	380	1532	391	1502	406	1461	423	1411	440	1359	455	1324	469	1278	485
	LOW	1332	223	1290	237	1232	247	-	-	-	-	-	-	-	-	-	-	-	-
	HI	2245	883	2247	931	2236	950	2211	964	2171	979	2114	971	2034	940	1948	898	1855	854
	MED/HI	2135	771	2116	784	2108	808	2078	826	2041	844	2004	859	1955	861	1886	843	1792	806
6 <sup>3</sup>	MED	2010	637	1989	656	1975	675	1938	696	1900	715	1867	730	1822	740	1784	756	1716	748
	MED/LOW	1748	413	1704	432	1669	451	1631	468	1589	479	1551	497	1513	513	1465	523	-	-
	LOW	1562	327	1529	339	1491	356	-	-	-	-	-	-	-	-	-	-	-	-
	HI	2256	883	2258	931	2247	950	2223	964	2182	979	2125	971	2044	940	1958	898	1864	854
6 <sup>3</sup>	MED/HI	2145	771	2127	784	2119	808	2089	826	2051	844	2014	859	1965	861	1896	843	1801	806
	MED	2020	637	1999	656	1985	675	1947	696	1910	715	1876	730	1832	740	1793	756	-	-
	MED/LOW	-	-	-	-	-	-	-	-	-	-	-	-	-	-	-	-	-	-
	LOW	-	-	-	-	-	-	-	-	-	-	-	-	-	-	-	-	-	-

1. Factory set on medium speed tap.
2. Includes allowances for a wet evaporator coil, 1" filters, and the heat exchangers. Refer to STATIC RESISTANCES Table for resistance values.
3. Side Duct application (230 Volts)

**ZR036-060 Side Duct Application**

**ZR036 (3 Ton Belt Drive) Side Duct**

Air Flow (CFM)	Available External Static Pressure - IWG <sup>1</sup>																			
	0.2		0.4		0.6		0.8		1.0		1.2		1.4		1.6		1.8		2.0	
	RPM	BHP	RPM	BHP	RPM	BHP	RPM	BHP	RPM	BHP	RPM	BHP	RPM	BHP	RPM	BHP	RPM	BHP	RPM	BHP
	Field Supplied Drive				Standard Drive Option								High Static Drive Option							
800	634	0.34	735	0.39	828	0.45	914	0.52	995	0.59	1070	0.67	1140	0.75	1207	0.83	1270	0.92	1332	1.00
1000	659	0.39	760	0.45	853	0.51	939	0.57	1019	0.65	1094	0.72	1165	0.80	1232	0.89	1295	0.97	1356	1.06
1200	685	0.47	786	0.52	879	0.58	965	0.65	1045	0.72	1120	0.80	1191	0.88	1258	0.96	1321	1.05	1382	1.13
1400	716	0.57	816	0.62	909	0.68	995	0.75	1076	0.82	1151	0.90	1221	0.98	1288	1.06	1352	1.15	1413	1.23
1600	752	0.69	852	0.75	945	0.81	1032	0.88	1112	0.95	1187	1.03	1258	1.11	1324	1.19	1388	1.27	1449	1.36
																				FS <sup>4</sup>

1. Blower performance includes gas heat exchangers and 1" filters. See STATIC RESISTANCE table for additional applications.
2. See RPM SELECTION table to determine desired motor sheave setting and to determine the maximum continuous BHP.
3. kW = BHP x 0.932.
4. Field Supplied Drive.

**ZR048 (4 Ton Belt Drive) Side Duct**

Air Flow (CFM)	Available External Static Pressure - IWG <sup>1</sup>																			
	0.2		0.4		0.6		0.8		1.0		1.2		1.4		1.6		1.8		2.0	
	RPM	BHP	RPM	BHP	RPM	BHP	RPM	BHP	RPM	BHP	RPM	BHP	RPM	BHP	RPM	BHP	RPM	BHP	RPM	BHP
	Field Supplied Drive				Standard Drive Option								High Static Drive Option							
1000	703	0.39	786	0.47	866	0.54	942	0.62	1016	0.71	1087	0.79	1155	0.88	1221	0.98	1284	1.07	1345	1.17
1200	733	0.44	817	0.52	896	0.60	973	0.68	1047	0.76	1118	0.85	1186	0.94	1252	1.03	1315	1.12	1376	1.22
1400	770	0.52	853	0.60	933	0.67	1010	0.76	1083	0.84	1154	0.93	1222	1.02	1288	1.11	1352	1.20	1413	1.30
1600	811	0.64	895	0.71	974	0.79	1051	0.87	1125	0.96	1196	1.04	1264	1.13	1330	1.23	1393	1.32	1454	1.42
1800	857	0.80	940	0.87	1020	0.95	1097	1.03	1171	1.11	1242	1.20	1310	1.29	1375	1.38	1439	1.48	1500	1.58
2000	907	1.00	990	1.07	1070	1.15	1146	1.23	1220	1.31	1291	1.40	1359	1.49	1425	1.58	1488	1.68	1550	1.77
																				FS <sup>4</sup>

1. Blower performance includes gas heat exchangers and 1" filters. See STATIC RESISTANCE table for additional applications.
2. See RPM SELECTION table to determine desired motor sheave setting and to determine the maximum continuous BHP.
3. kW = BHP x 0.932.
4. Field Supplied Drive.

**ZR060 (5 Ton Belt Drive) Side Duct**

Air Flow (CFM)	Available External Static Pressure - IWG <sup>1</sup>																			
	0.2		0.4		0.6		0.8		1.0		1.2		1.4		1.6		1.8		2.0	
	RPM	BHP	RPM	BHP	RPM	BHP	RPM	BHP	RPM	BHP	RPM	BHP	RPM	BHP	RPM	BHP	RPM	BHP	RPM	BHP
	Field Supplied Drive				Standard Drive Option								High Static Drive Option							
1200	733	0.44	817	0.52	896	0.60	973	0.68	1047	0.76	1118	0.85	1186	0.94	1252	1.03	1315	1.12	1376	1.22
1400	770	0.52	853	0.60	933	0.67	1010	0.76	1083	0.84	1154	0.93	1222	1.02	1288	1.11	1352	1.20	1413	1.30
1600	811	0.64	895	0.71	974	0.79	1051	0.87	1125	0.96	1196	1.04	1264	1.13	1330	1.23	1393	1.32	1454	1.42
1800	857	0.80	940	0.87	1020	0.95	1097	1.03	1171	1.11	1242	1.20	1310	1.29	1375	1.38	1439	1.48	1500	1.58
2000	907	1.00	990	1.07	1070	1.15	1146	1.23	1220	1.31	1291	1.40	1359	1.49	1425	1.58	1488	1.68	1550	1.77
2200	960	1.24	1043	1.31	1123	1.39	1199	1.47	1273	1.55	1344	1.64	1412	1.73	1478	1.82	1541	1.92	1602	2.01
2400	1015	1.51	1099	1.59	1178	1.66	1255	1.74	1329	1.83	1400	1.92	1468	2.01	1534	2.10	1597	2.19	1658	2.29
2600	1074	1.83	1157	1.90	1237	1.98	1314	2.06	1387	2.14	1458	2.23	-	-	-	-	-	-	-	-

1. Blower performance includes gas heat exchangers and 1" filters. See STATIC RESISTANCE table for additional applications.
2. See RPM SELECTION table to determine desired motor sheave setting and to determine the maximum continuous BHP.
3. kW = BHP x 0.932.

**ZR036 - 060 (3-5 Ton Direct Drive) Side Duct**

UNIT TONNAGE	MOTOR <sup>1</sup> SPEED	AVAILABLE EXTERNAL STATIC PRESSURE - IWG <sup>2</sup>																	
		0.2		0.3		0.4		0.5		0.6		0.7		0.8		0.9		1.0	
		CFM	WATTS	CFM	WATTS	CFM	WATTS	CFM	WATTS	CFM	WATTS	CFM	WATTS	CFM	WATTS	CFM	WATTS	CFM	WATTS
3 <sup>3</sup>	HI	1574	320	1530	335	1488	349	1451	363	1411	376	1374	390	1331	403	1292	417	1249	430
	MED/HI	1480	263	1433	276	1389	290	1347	303	1303	316	1257	329	1208	343	1153	358	1080	374
	MED	1332	208	1286	221	1241	234	1195	246	1146	258	1097	272	1031	288	962	303	919	313
	MED/LOW	1227	171	1178	183	1129	195	1076	207	1021	220	953	235	891	248	-	-	-	-
	LOW	1075	130	992	134	930	145	858	158	-	-	-	-	-	-	-	-	-	-
4 <sup>3</sup>	HI	-	-	2067	696	2027	714	1991	734	1953	749	1910	764	1860	769	1770	743	1621	685
	MED/HI	1913	539	1877	557	1839	571	1798	585	1764	602	1721	619	1677	638	1621	653	1545	639
	MED	1722	408	1682	426	1634	438	1597	455	1554	472	1506	490	1450	505	1404	521	1370	536
	MED/LOW	1621	362	1580	380	1532	391	1502	406	1461	423	1411	440	1359	455	1324	469	1278	485
	LOW	1332	223	1290	237	1232	247	-	-	-	-	-	-	-	-	-	-	-	-
5 <sup>3</sup>	HI	2245	883	2247	931	2236	950	2211	964	2171	979	2114	971	2034	940	1948	898	1855	854
	MED/HI	2135	771	2116	784	2108	808	2078	826	2041	844	2004	859	1955	861	1886	843	1792	806
	MED	2010	637	1989	656	1975	675	1938	696	1900	715	1867	730	1822	740	1784	756	1716	748
	MED/LOW	1748	413	1704	432	1669	451	1631	468	1589	479	1551	497	1513	513	1465	523	-	-
	LOW	1562	327	1529	339	1491	356	-	-	-	-	-	-	-	-	-	-	-	-

1. Factory set on medium speed tap.
2. Includes allowances for a wet evaporator coil, 1" filters, and the heat exchangers. Refer to STATIC RESISTANCES Table for resistance values.
3. Side Duct application (230 Volts)

**ZF036-072 Bottom Duct Application**

**ZF036 (3 Ton Belt Drive) Bottom Duct**

Air Flow (CFM)	Available External Static Pressure - IWG <sup>1</sup>																			
	0.2		0.4		0.6		0.8		1.0		1.2		1.4		1.6		1.8		2.0	
	RPM	BHP	RPM	BHP	RPM	BHP	RPM	BHP	RPM	BHP	RPM	BHP	RPM	BHP	RPM	BHP	RPM	BHP	RPM	BHP
	Field Supplied Drive				Standard Drive Option				High Static Drive Option											
800	613	0.35	724	0.40	826	0.46	920	0.53	1007	0.60	1089	0.67	1165	0.75	1237	0.83	1306	0.91	1372	1.00
1000	640	0.40	751	0.46	853	0.52	947	0.58	1034	0.65	1116	0.73	1192	0.80	1264	0.89	1333	0.97	1399	1.05
1200	669	0.48	779	0.53	881	0.59	975	0.65	1063	0.73	1144	0.80	1220	0.88	1293	0.96	1361	1.04	1427	1.13
1400	702	0.57	812	0.63	914	0.69	1009	0.75	1096	0.82	1177	0.90	1254	0.98	1326	1.06	1394	1.14	1460	1.22
1600	741	0.70	852	0.75	954	0.81	1048	0.88	1135	0.95	1217	1.02	1293	1.10	1365	1.18	1434	1.26	1500	1.35
	Field Supplied Drive																			

1. Blower performance includes gas heat exchangers and 1" filters. See STATIC RESISTANCE table for additional applications.
2. See RPM SELECTION table to determine desired motor sheave setting and to determine the maximum continuous BHP.
3. kW = BHP x 0.932.

**ZF048 (4 Ton Belt Drive) Bottom Duct**

Air Flow (CFM)	Available External Static Pressure - IWG <sup>1</sup>																			
	0.2		0.4		0.6		0.8		1.0		1.2		1.4		1.6		1.8		2.0	
	RPM	BHP	RPM	BHP	RPM	BHP	RPM	BHP	RPM	BHP	RPM	BHP	RPM	BHP	RPM	BHP	RPM	BHP	RPM	BHP
	Field Supplied Drive				Standard Drive Option								High Static Drive Option							
1000	688	0.40	779	0.47	866	0.55	949	0.63	1029	0.71	1107	0.80	1181	0.88	1253	0.97	1322	1.07	1388	1.16
1200	722	0.45	812	0.53	899	0.60	983	0.68	1063	0.76	1140	0.85	1215	0.93	1286	1.03	1355	1.12	1422	1.21
1400	761	0.53	852	0.60	939	0.68	1022	0.76	1103	0.84	1180	0.92	1254	1.01	1326	1.10	1395	1.20	1462	1.29
1600	807	0.65	897	0.72	984	0.79	1068	0.87	1148	0.95	1225	1.04	1300	1.13	1371	1.22	1440	1.31	1507	1.40
1800	856	0.80	947	0.87	1034	0.95	1118	1.02	1198	1.11	1275	1.19	1349	1.28	1421	1.37	1490	1.46	1557	1.56
2000	910	0.99	1001	1.06	1088	1.14	1172	1.22	1252	1.30	1329	1.39	1403	1.47	1475	1.56	1544	1.66	1611	1.75
	Field Supplied Drive																			

1. Blower performance includes gas heat exchangers and 1" filters. See STATIC RESISTANCE table for additional applications.
2. See RPM SELECTION table to determine desired motor sheave setting and to determine the maximum continuous BHP.
3. kW = BHP x 0.932.

**ZF060 (5 Ton Belt Drive) Bottom Duct**

Air Flow (CFM)	Available External Static Pressure - IWG <sup>1</sup>																			
	0.2		0.4		0.6		0.8		1.0		1.2		1.4		1.6		1.8		2.0	
	RPM	BHP	RPM	BHP	RPM	BHP	RPM	BHP	RPM	BHP	RPM	BHP	RPM	BHP	RPM	BHP	RPM	BHP	RPM	BHP
	Field Supplied Drive						Standard Drive Option						High Static Drive Option							
1200	722	0.45	812	0.53	899	0.60	983	0.68	1063	0.76	1140	0.85	1215	0.93	1286	1.03	1355	1.12	1422	1.21
1400	761	0.53	852	0.60	939	0.68	1022	0.76	1103	0.84	1180	0.92	1254	1.01	1326	1.10	1395	1.20	1462	1.29
1600	807	0.65	897	0.72	984	0.79	1068	0.87	1148	0.95	1225	1.04	1300	1.13	1371	1.22	1440	1.31	1507	1.40
1800	856	0.80	947	0.87	1034	0.95	1118	1.02	1198	1.11	1275	1.19	1349	1.28	1421	1.37	1490	1.46	1557	1.56
2000	910	0.99	1001	1.06	1088	1.14	1172	1.22	1252	1.30	1329	1.39	1403	1.47	1475	1.56	1544	1.66	1611	1.75
2200	968	1.23	1059	1.30	1146	1.37	1229	1.45	1309	1.53	1387	1.62	1461	1.71	1533	1.80	1602	1.89	1668	1.99
2400	1029	1.50	1119	1.57	1206	1.65	1290	1.72	1370	1.81	1448	1.89	1522	1.98	1593	2.07	1663	2.16	1729	2.26
2600	1093	1.81	1183	1.88	1270	1.95	1354	2.03	1434	2.11	1511	2.20	1586	2.29	-	-	-	-	-	-
																				Field Supplied Drive

1. Blower performance includes gas heat exchangers and 1" filters. See STATIC RESISTANCE table for additional applications.
2. See RPM SELECTION table to determine desired motor sheave setting and to determine the maximum continuous BHP.
3. kW = BHP x 0.932.

**ZF072 (6 Ton Belt Drive) Bottom Duct**

Air Flow (CFM)	Available External Static Pressure - IWG <sup>1</sup>																			
	0.2		0.4		0.6		0.8		1.0		1.2		1.4		1.6		1.8		2.0	
	RPM	BHP	RPM	BHP	RPM	BHP	RPM	BHP	RPM	BHP	RPM	BHP	RPM	BHP	RPM	BHP	RPM	BHP	RPM	BHP
	Field Supplied Drive				Standard Drive Option						High Static Drive Option									
1600	807	0.65	897	0.72	984	0.79	1068	0.87	1148	0.95	1225	1.04	1300	1.13	1371	1.22	1440	1.31	1507	1.40
1800	856	0.80	947	0.87	1034	0.95	1118	1.02	1198	1.11	1275	1.19	1349	1.28	1421	1.37	1490	1.46	1557	1.56
2000	910	0.99	1001	1.06	1088	1.14	1172	1.22	1252	1.30	1329	1.39	1403	1.47	1475	1.56	1544	1.66	1611	1.75
2200	968	1.23	1059	1.30	1146	1.37	1229	1.45	1309	1.53	1387	1.62	1461	1.71	1533	1.80	1602	1.89	1668	1.99
2400	1029	1.50	1119	1.57	1206	1.65	1290	1.72	1370	1.81	1448	1.89	1522	1.98	1593	2.07	1663	2.16	1729	2.26
2600	1093	1.81	1183	1.88	1270	1.95	1354	2.03	1434	2.11	1511	2.20	1586	2.29	1657	2.38	1726	2.47	1793	2.57
2800	1159	2.15	1250	2.22	1337	2.29	1420	2.37	1500	2.46	1578	2.54	1652	2.63	1724	2.72	1793	2.81	-	-
3000	1228	2.52	1318	2.59	1405	2.67	1489	2.75	1569	2.83	1646	2.91	1721	3.00	1792	3.09	-	-	-	-
																				Field Supplied Drive

1. Blower performance includes gas heat exchangers and 1" filters. See STATIC RESISTANCE table for additional applications.
2. See RPM SELECTION table to determine desired motor sheave setting and to determine the maximum continuous BHP.
3. kW = BHP x 0.932.

**ZF036 - 072 (3-6 Ton Direct Drive) Bottom Duct**

UNIT TONNAGE	MOTOR <sup>1</sup> SPEED	AVAILABLE EXTERNAL STATIC PRESSURE - IWG <sup>2</sup>																	
		0.2		0.3		0.4		0.5		0.6		0.7		0.8		0.9		1.0	
		CFM	WATTS	CFM	WATTS	CFM	WATTS	CFM	WATTS	CFM	WATTS	CFM	WATTS	CFM	WATTS	CFM	WATTS	CFM	WATTS
3 <sup>3</sup>	HI	1520	320	1478	335	1438	349	1401	363	1363	376	1327	390	1286	403	1248	417	1207	430
	MED/HI	1430	263	1384	276	1342	290	1302	303	1259	316	1215	329	1168	343	1114	358	1044	374
	MED	1287	208	1242	221	1199	234	1155	246	1108	258	1060	272	997	288	930	303	889	313
	MED/LOW	1185	171	1138	183	1091	195	1041	207	987	220	921	235	862	248	-	-	-	-
4 <sup>3</sup>	LOW	1040	130	959	134	900	145	-	-	-	-	-	-	-	-	-	-	-	-
	HI	-	-	1995	696	1957	714	1922	734	1885	749	1844	764	1795	769	1709	743	1566	685
	MED/HI	1846	539	1812	557	1776	571	1736	585	1704	602	1662	619	1619	638	1566	653	1492	639
	MED	1662	408	1624	426	1577	438	1542	455	1501	472	1454	490	1400	505	1356	521	1323	536
5 <sup>3</sup>	MED/LOW	1566	362	1526	380	1480	391	1450	406	1411	423	1363	440	1312	455	1279	469	1235	485
	LOW	1287	223	1246	237	1190	247	-	-	-	-	-	-	-	-	-	-	-	-
	HI	2166	883	2169	931	2158	950	2134	964	2095	979	2040	971	1963	940	1881	898	1791	854
	MED/HI	2060	771	2042	784	2035	808	2006	826	1970	844	1934	859	1888	861	1821	843	1730	806
6 <sup>3</sup>	MED	1940	637	1920	656	1907	675	1870	696	1834	715	1802	730	1759	740	1722	756	1657	748
	MED/LOW	1688	413	1645	432	1611	451	1575	468	1534	479	1498	497	1461	513	-	-	-	-
	LOW	1509	327	1477	339	-	-	-	-	-	-	-	-	-	-	-	-	-	-
	HI	2177	883	2179	931	2169	950	2145	964	2106	979	2051	971	1973	940	1890	898	1800	854
6 <sup>3</sup>	MED/HI	2071	771	2053	784	2045	808	2016	826	1980	844	1944	859	1897	861	1830	843	-	-
	MED	1950	637	1929	656	1916	675	1880	696	1844	715	1811	730	1768	740	-	-	-	-
	MED/LOW	-	-	-	-	-	-	-	-	-	-	-	-	-	-	-	-	-	-
	LOW	-	-	-	-	-	-	-	-	-	-	-	-	-	-	-	-	-	-

1. Factory set on medium speed tap.
2. Includes allowances for a wet evaporator coil, 1" filters, and the heat exchangers. Refer to STATIC RESISTANCES Table for resistance values.
3. Bottom Duct application (230 Volts)

**ZR036-060 Bottom Duct Application**

**ZR036 (3 Ton Belt Drive) Bottom Duct**

Air Flow (CFM)	Available External Static Pressure - IWG <sup>1</sup>																			
	0.2		0.4		0.6		0.8		1.0		1.2		1.4		1.6		1.8		2.0	
	RPM	BHP	RPM	BHP	RPM	BHP	RPM	BHP	RPM	BHP	RPM	BHP	RPM	BHP	RPM	BHP	RPM	BHP	RPM	BHP
	Field Supplied Drive				Standard Drive Option						High Static Drive Option									
800	613	0.35	724	0.40	826	0.46	920	0.53	1007	0.60	1089	0.67	1165	0.75	1237	0.83	1306	0.91	1372	1.00
1000	640	0.40	751	0.46	853	0.52	947	0.58	1034	0.65	1116	0.73	1192	0.80	1264	0.89	1333	0.97	1399	1.05
1200	669	0.48	779	0.53	881	0.59	975	0.65	1063	0.73	1144	0.80	1220	0.88	1293	0.96	1361	1.04	1427	1.13
1400	702	0.57	812	0.63	914	0.69	1009	0.75	1096	0.82	1177	0.90	1254	0.98	1326	1.06	1394	1.14	1460	1.22
1600	741	0.70	852	0.75	954	0.81	1048	0.88	1135	0.95	1217	1.02	1293	1.10	1365	1.18	1434	1.26	1500	1.35
	Field Supplied Drive																			

1. Blower performance includes gas heat exchangers and 1" filters. See STATIC RESISTANCE table for additional applications.
2. See RPM SELECTION table to determine desired motor sheave setting and to determine the maximum continuous BHP.
3. kW = BHP x 0.932.

**ZR048 (4 Ton Belt Drive) Bottom Duct**

Air Flow (CFM)	Available External Static Pressure - IWG <sup>1</sup>																			
	0.2		0.4		0.6		0.8		1.0		1.2		1.4		1.6		1.8		2.0	
	RPM	BHP	RPM	BHP	RPM	BHP	RPM	BHP	RPM	BHP	RPM	BHP	RPM	BHP	RPM	BHP	RPM	BHP	RPM	BHP
	Field Supplied Drive				Standard Drive Option						High Static Drive Option									
1000	688	0.40	779	0.47	866	0.55	949	0.63	1029	0.71	1107	0.80	1181	0.88	1253	0.97	1322	1.07	1388	1.16
1200	722	0.45	812	0.53	899	0.60	983	0.68	1063	0.76	1140	0.85	1215	0.93	1286	1.03	1355	1.12	1422	1.21
1400	761	0.53	852	0.60	939	0.68	1022	0.76	1103	0.84	1180	0.92	1254	1.01	1326	1.10	1395	1.20	1462	1.29
1600	807	0.65	897	0.72	984	0.79	1068	0.87	1148	0.95	1225	1.04	1300	1.13	1371	1.22	1440	1.31	1507	1.40
1800	856	0.80	947	0.87	1034	0.95	1118	1.02	1198	1.11	1275	1.19	1349	1.28	1421	1.37	1490	1.46	1557	1.56
2000	910	0.99	1001	1.06	1088	1.14	1172	1.22	1252	1.30	1329	1.39	1403	1.47	1475	1.56	1544	1.66	1611	1.75
	Field Supplied Drive																			

1. Blower performance includes gas heat exchangers and 1" filters. See STATIC RESISTANCE table for additional applications.
2. See RPM SELECTION table to determine desired motor sheave setting and to determine the maximum continuous BHP.
3. kW = BHP x 0.932.

**ZR060 (5 Ton Belt Drive) Bottom Duct**

Air Flow (CFM)	Available External Static Pressure - IWG <sup>1</sup>																			
	0.2		0.4		0.6		0.8		1.0		1.2		1.4		1.6		1.8		2.0	
	RPM	BHP	RPM	BHP	RPM	BHP	RPM	BHP	RPM	BHP	RPM	BHP	RPM	BHP	RPM	BHP	RPM	BHP	RPM	BHP
	Field Supplied Drive				Standard Drive Option						High Static Drive Option									
1200	722	0.45	812	0.53	899	0.60	983	0.68	1063	0.76	1140	0.85	1215	0.93	1286	1.03	1355	1.12	1422	1.21
1400	761	0.53	852	0.60	939	0.68	1022	0.76	1103	0.84	1180	0.92	1254	1.01	1326	1.10	1395	1.20	1462	1.29
1600	807	0.65	897	0.72	984	0.79	1068	0.87	1148	0.95	1225	1.04	1300	1.13	1371	1.22	1440	1.31	1507	1.40
1800	856	0.80	947	0.87	1034	0.95	1118	1.02	1198	1.11	1275	1.19	1349	1.28	1421	1.37	1490	1.46	1557	1.56
2000	910	0.99	1001	1.06	1088	1.14	1172	1.22	1252	1.30	1329	1.39	1403	1.47	1475	1.56	1544	1.66	1611	1.75
2200	968	1.23	1059	1.30	1146	1.37	1229	1.45	1309	1.53	1387	1.62	1461	1.71	1533	1.80	1602	1.89	1668	1.99
2400	1029	1.50	1119	1.57	1206	1.65	1290	1.72	1370	1.81	1448	1.89	1522	1.98	1593	2.07	1663	2.16	1729	2.26
2600	1093	1.81	1183	1.88	1270	1.95	1354	2.03	1434	2.11	1511	2.20	1586	2.29	-	-	-	-	-	-
	Field Supplied Drive																			

1. Blower performance includes gas heat exchangers and 1" filters. See STATIC RESISTANCE table for additional applications.
2. See RPM SELECTION table to determine desired motor sheave setting and to determine the maximum continuous BHP.
3. kW = BHP x 0.932.

**ZR036 - 060 (3-5 Ton Direct Drive) Bottom Duct**

UNIT TONNAGE	MOTOR <sup>1</sup> SPEED	AVAILABLE EXTERNAL STATIC PRESSURE - IWG <sup>2</sup>																	
		0.2		0.3		0.4		0.5		0.6		0.7		0.8		0.9		1.0	
		CFM	WATTS	CFM	WATTS	CFM	WATTS	CFM	WATTS	CFM	WATTS	CFM	WATTS	CFM	WATTS	CFM	WATTS	CFM	WATTS
3 <sup>3</sup>	HI	1520	320	1478	335	1438	349	1401	363	1363	376	1327	390	1286	403	1248	417	1207	430
	MED/HI	1430	263	1384	276	1342	290	1302	303	1259	316	1215	329	1168	343	1114	358	1044	374
	MED	1287	208	1242	221	1199	234	1155	246	1108	258	1060	272	997	288	930	303	889	313
	MED/LOW	1185	171	1138	183	1091	195	1041	207	987	220	921	235	862	248	-	-	-	-
	LOW	1040	130	959	134	900	145	-	-	-	-	-	-	-	-	-	-	-	-
4 <sup>3</sup>	HI	-	-	1995	696	1957	714	1922	734	1885	749	1844	764	1795	769	1709	743	1566	685
	MED/HI	1846	539	1812	557	1776	571	1736	585	1704	602	1662	619	1619	638	1566	653	1492	639
	MED	1662	408	1624	426	1577	438	1542	455	1501	472	1454	490	1400	505	1356	521	1323	536
	MED/LOW	1566	362	1526	380	1480	391	1450	406	1411	423	1363	440	1312	455	1279	469	1235	485
	LOW	1287	223	1246	237	1190	247	-	-	-	-	-	-	-	-	-	-	-	-
5 <sup>3</sup>	HI	2166	883	2169	931	2158	950	2134	964	2095	979	2040	971	1963	940	1881	898	1791	854
	MED/HI	2060	771	2042	784	2035	808	2006	826	1970	844	1934	859	1888	861	1821	843	1730	806
	MED	1940	637	1920	656	1907	675	1870	696	1834	715	1802	730	1759	740	1722	756	1657	748
	MED/LOW	1688	413	1645	432	1611	451	1575	468	1534	479	1498	497	1461	513	-	-	-	-
	LOW	1509	327	1477	339	-	-	-	-	-	-	-	-	-	-	-	-	-	-

1. Factory set on medium speed tap.
2. Includes allowances for a wet evaporator coil, 1" filters, and the heat exchangers. Refer to STATIC RESISTANCES Table for resistance values.
3. Bottom Duct application (230 Volts)

**XP036-060 Side Duct Application**

**XP036 (3 Ton Belt Drive) Side Duct**

Air Flow (CFM)	Available External Static Pressure - IWG <sup>1</sup>																			
	0.2		0.4		0.6		0.8		1.0		1.2		1.4		1.6		1.8		2.0	
	RPM	BHP	RPM	BHP	RPM	BHP	RPM	BHP	RPM	BHP	RPM	BHP	RPM	BHP	RPM	BHP	RPM	BHP	RPM	BHP
	Field Supplied Drive				Standard Drive Option				High Static Drive Option											
800	678	0.37	761	0.44	840	0.52	917	0.60	991	0.69	1062	0.77	1130	0.87	1195	0.96	1259	1.06	1320	1.17
1000	699	0.42	782	0.49	862	0.56	939	0.64	1012	0.73	1083	0.82	1151	0.91	1217	1.01	1280	1.11	1341	1.21
1200	727	0.45	810	0.52	889	0.60	966	0.68	1040	0.76	1110	0.85	1179	0.95	1244	1.04	1308	1.14	1369	1.24
1400	759	0.51	842	0.58	922	0.65	998	0.73	1072	0.82	1143	0.91	1211	1.00	1276	1.10	1340	1.20	1401	1.30
1600	795	0.60	878	0.67	958	0.74	1035	0.82	1108	0.91	1179	1.00	1247	1.09	1313	1.19	1376	1.28	1438	1.39
	FS <sup>4</sup>																			

1. Blower performance includes 1" filters. See STATIC RESISTANCE table for additional applications.
2. See RPM SELECTION table to determine desired motor sheave setting and to determine the maximum continuous BHP.
3. kW = BHP x 0.932.
4. Field Supplied Drive.

**XP048 (4 Ton Belt Drive) Side Duct**

Air Flow (CFM)	Available External Static Pressure - IWG <sup>1</sup>																			
	0.2		0.4		0.6		0.8		1.0		1.2		1.4		1.6		1.8		2.0	
	RPM	BHP	RPM	BHP	RPM	BHP	RPM	BHP	RPM	BHP	RPM	BHP	RPM	BHP	RPM	BHP	RPM	BHP	RPM	BHP
	Field Supplied Drive				Standard Drive Option				High Static Drive Option											
1000	699	0.42	782	0.49	862	0.56	939	0.64	1012	0.73	1083	0.82	1151	0.91	1217	1.01	1280	1.11	1341	1.21
1200	727	0.45	810	0.52	889	0.60	966	0.68	1040	0.76	1110	0.85	1179	0.95	1244	1.04	1308	1.14	1369	1.24
1400	759	0.51	842	0.58	922	0.65	998	0.73	1072	0.82	1143	0.91	1211	1.00	1276	1.10	1340	1.20	1401	1.30
1600	795	0.60	878	0.67	958	0.74	1035	0.82	1108	0.91	1179	1.00	1247	1.09	1313	1.19	1376	1.28	1438	1.39
1800	836	0.72	919	0.79	999	0.87	1075	0.95	1149	1.03	1220	1.12	1288	1.22	1353	1.31	1417	1.41	1478	1.51
2000	880	0.89	963	0.96	1042	1.04	1119	1.12	1193	1.20	1263	1.29	1331	1.39	1397	1.48	1460	1.58	1522	1.68

1. Blower performance includes 1" filters. See STATIC RESISTANCE table for additional applications.
2. See RPM SELECTION table to determine desired motor sheave setting and to determine the maximum continuous BHP.
3. kW = BHP x 0.932.

**XP060 (5 Ton Belt Drive) Side Duct**

Air Flow (CFM)	Available External Static Pressure - IWG <sup>1</sup>																			
	0.2		0.4		0.6		0.8		1.0		1.2		1.4		1.6		1.8		2.0	
	RPM	BHP	RPM	BHP	RPM	BHP	RPM	BHP	RPM	BHP	RPM	BHP	RPM	BHP	RPM	BHP	RPM	BHP	RPM	BHP
	Field Supplied Drive						Standard Drive Option						High Static Drive Option							
1200	727	0.45	810	0.52	889	0.60	966	0.68	1040	0.76	1110	0.85	1179	0.95	1244	1.04	1308	1.14	1369	1.24
1400	759	0.51	842	0.58	922	0.65	998	0.73	1072	0.82	1143	0.91	1211	1.00	1276	1.10	1340	1.20	1401	1.30
1600	795	0.60	878	0.67	958	0.74	1035	0.82	1108	0.91	1179	1.00	1247	1.09	1313	1.19	1376	1.28	1438	1.39
1800	836	0.72	919	0.79	999	0.87	1075	0.95	1149	1.03	1220	1.12	1288	1.22	1353	1.31	1417	1.41	1478	1.51
2000	880	0.89	963	0.96	1042	1.04	1119	1.12	1193	1.20	1263	1.29	1331	1.39	1397	1.48	1460	1.58	1522	1.68
2200	926	1.10	1009	1.17	1089	1.25	1166	1.33	1239	1.41	1310	1.50	1378	1.60	1444	1.69	1507	1.79	1568	1.89
2400	976	1.35	1059	1.42	1138	1.50	1215	1.58	1289	1.66	1359	1.75	1428	1.85	1493	1.94	1557	2.04	1618	2.14
2600	1028	1.64	1111	1.71	1190	1.78	1267	1.87	1340	1.95	1411	2.04	1479	2.13	1545	2.23	1608	2.33	-	-

1. Blower performance includes 1" filters. See STATIC RESISTANCE table for additional applications.
2. See RPM SELECTION table to determine desired motor sheave setting and to determine the maximum continuous BHP.
3. kW = BHP x 0.932.

**XP036 - 060 (3-5 Ton Direct Drive) Side Duct**

UNIT TONNAGE	MOTOR <sup>1</sup> SPEED	AVAILABLE EXTERNAL STATIC PRESSURE - IWG <sup>2</sup>																	
		0.2		0.3		0.4		0.5		0.6		0.7		0.8		0.9		1.0	
		CFM	WATTS	CFM	WATTS	CFM	WATTS	CFM	WATTS	CFM	WATTS	CFM	WATTS	CFM	WATTS	CFM	WATTS	CFM	WATTS
3 <sup>3</sup>	HI	1528	320	1485	335	1445	349	1409	363	1370	376	1334	390	1292	403	1254	417	1213	430
	MED/HI	1437	263	1391	276	1349	290	1308	303	1265	316	1220	329	1173	343	1119	358	1048	374
	MED	1293	208	1248	221	1205	234	1160	246	1113	258	1065	272	1001	288	934	303	892	313
	MED/LOW	1191	171	1144	183	1096	195	1045	207	991	220	925	235	865	248	-	-	-	-
	LOW	1044	130	963	134	903	145	833	158	-	-	-	-	-	-	-	-	-	-
4 <sup>3</sup>	HI	-	-	2007	696	1968	714	1933	734	1896	749	1855	764	1806	769	1719	743	1574	685
	MED/HI	1857	539	1822	557	1786	571	1746	585	1713	602	1671	619	1628	638	1574	653	1500	639
	MED	1672	408	1633	426	1586	438	1550	455	1509	472	1462	490	1408	505	1363	521	1330	536
	MED/LOW	1574	362	1534	380	1487	391	1458	406	1418	423	1370	440	1319	455	1285	469	1241	485
	LOW	1293	223	1252	237	1196	247	-	-	-	-	-	-	-	-	-	-	-	-
5 <sup>3</sup>	HI	2245	883	2247	931	2236	950	2211	964	2171	979	2114	971	2034	940	1948	898	1855	854
	MED/HI	2135	771	2116	784	2108	808	2078	826	2041	844	2004	859	1955	861	1886	843	1792	806
	MED	2010	637	1989	656	1975	675	1938	696	1900	715	1867	730	1822	740	1784	756	1716	748
	MED/LOW	1748	413	1704	432	1669	451	1631	468	1589	479	1551	497	1513	513	1465	523	-	-
	LOW	1562	327	1529	339	1491	356	-	-	-	-	-	-	-	-	-	-	-	-

1. Factory set on medium speed tap.
2. Includes allowances for a wet evaporator coil and 1" filters. Refer to STATIC RESISTANCES Table for resistance values.
3. Side Duct application (230 Volts)

**XP036-060 Bottom Duct Application**

**XP036 (3 Ton Belt Drive) Bottom Duct**

Air Flow (CFM)	Available External Static Pressure - IWG <sup>1</sup>																			
	0.2		0.4		0.6		0.8		1.0		1.2		1.4		1.6		1.8		2.0	
	RPM	BHP	RPM	BHP	RPM	BHP	RPM	BHP	RPM	BHP	RPM	BHP	RPM	BHP	RPM	BHP	RPM	BHP	RPM	BHP
	Field Supplied Drive						Standard Drive Option						High Static Drive Option							
800	661	0.39	751	0.45	838	0.53	922	0.61	1002	0.69	1079	0.78	1153	0.87	1225	0.96	1294	1.06	1361	1.16
1000	685	0.43	775	0.50	862	0.57	945	0.65	1025	0.73	1103	0.82	1177	0.91	1248	1.00	1317	1.10	1384	1.20
1200	714	0.46	805	0.53	892	0.60	975	0.68	1055	0.76	1132	0.85	1207	0.94	1278	1.04	1347	1.13	1414	1.23
1400	749	0.52	840	0.58	927	0.66	1010	0.74	1090	0.82	1167	0.91	1242	1.00	1313	1.09	1382	1.19	1449	1.29
1600	789	0.60	880	0.67	967	0.74	1050	0.82	1130	0.91	1207	0.99	1282	1.08	1353	1.18	1422	1.27	1489	1.37
	Field Supplied Drive																			

1. Blower performance includes 1" filters. See STATIC RESISTANCE table for additional applications.
2. See RPM SELECTION table to determine desired motor sheave setting and to determine the maximum continuous BHP.
3. kW = BHP x 0.932.

**XP048 (4 Ton Belt Drive) Bottom Duct**

Air Flow (CFM)	Available External Static Pressure - IWG <sup>1</sup>																			
	0.2		0.4		0.6		0.8		1.0		1.2		1.4		1.6		1.8		2.0	
	RPM	BHP	RPM	BHP	RPM	BHP	RPM	BHP	RPM	BHP	RPM	BHP	RPM	BHP	RPM	BHP	RPM	BHP	RPM	BHP
	Field Supplied Drive						Standard Drive Option						High Static Drive Option							
1000	685	0.43	775	0.50	862	0.57	945	0.65	1025	0.73	1103	0.82	1177	0.91	1248	1.00	1317	1.10	1384	1.20
1200	714	0.46	805	0.53	892	0.60	975	0.68	1055	0.76	1132	0.85	1207	0.94	1278	1.04	1347	1.13	1414	1.23
1400	749	0.52	840	0.58	927	0.66	1010	0.74	1090	0.82	1167	0.91	1242	1.00	1313	1.09	1382	1.19	1449	1.29
1600	789	0.60	880	0.67	967	0.74	1050	0.82	1130	0.91	1207	0.99	1282	1.08	1353	1.18	1422	1.27	1489	1.37
1800	833	0.73	924	0.80	1011	0.87	1094	0.95	1174	1.03	1251	1.12	1326	1.21	1397	1.30	1466	1.40	1533	1.50
2000	881	0.89	971	0.96	1058	1.03	1142	1.11	1222	1.20	1299	1.28	1373	1.37	1445	1.47	1514	1.57	1580	1.66
																				FS <sup>4</sup>

1. Blower performance includes 1" filters. See STATIC RESISTANCE table for additional applications.
2. See RPM SELECTION table to determine desired motor sheave setting and to determine the maximum continuous BHP.
3. kW = BHP x 0.932.
4. Field Supplied Drive.

**XP060 (5 Ton Belt Drive) Bottom Duct**

Air Flow (CFM)	Available External Static Pressure - IWG <sup>1</sup>																			
	0.2		0.4		0.6		0.8		1.0		1.2		1.4		1.6		1.8		2.0	
	RPM	BHP	RPM	BHP	RPM	BHP	RPM	BHP	RPM	BHP	RPM	BHP	RPM	BHP	RPM	BHP	RPM	BHP	RPM	BHP
	Field Supplied Drive						Standard Drive Option						High Static Drive Option							
1200	714	0.46	805	0.53	892	0.60	975	0.68	1055	0.76	1132	0.85	1207	0.94	1278	1.04	1347	1.13	1414	1.23
1400	749	0.52	840	0.58	927	0.66	1010	0.74	1090	0.82	1167	0.91	1242	1.00	1313	1.09	1382	1.19	1449	1.29
1600	789	0.60	880	0.67	967	0.74	1050	0.82	1130	0.91	1207	0.99	1282	1.08	1353	1.18	1422	1.27	1489	1.37
1800	833	0.73	924	0.80	1011	0.87	1094	0.95	1174	1.03	1251	1.12	1326	1.21	1397	1.30	1466	1.40	1533	1.50
2000	881	0.89	971	0.96	1058	1.03	1142	1.11	1222	1.20	1299	1.28	1373	1.37	1445	1.47	1514	1.57	1580	1.66
2200	932	1.10	1022	1.17	1109	1.24	1193	1.32	1273	1.40	1350	1.49	1424	1.58	1496	1.67	1565	1.77	1631	1.87
2400	986	1.34	1076	1.41	1163	1.48	1246	1.56	1327	1.64	1404	1.73	1478	1.82	1550	1.92	1619	2.01	1685	2.11
2600	1042	1.62	1132	1.69	1219	1.76	1303	1.84	1383	1.92	1460	2.01	1534	2.10	1606	2.20	1675	2.29	-	-
																				Field Supplied Drive

1. Blower performance includes 1" filters. See STATIC RESISTANCE table for additional applications.
2. See RPM SELECTION table to determine desired motor sheave setting and to determine the maximum continuous BHP.
3. kW = BHP x 0.932.

**XP036 - 060 (3-5 Ton Direct Drive) Bottom Duct**

UNIT TONNAGE	MOTOR <sup>1</sup> SPEED	AVAILABLE EXTERNAL STATIC PRESSURE - IWG <sup>2</sup>																	
		0.2		0.3		0.4		0.5		0.6		0.7		0.8		0.9		1.0	
		CFM	WATTS	CFM	WATTS	CFM	WATTS	CFM	WATTS	CFM	WATTS	CFM	WATTS	CFM	WATTS	CFM	WATTS	CFM	WATTS
3 <sup>3</sup>	HI	1476	320	1435	335	1396	349	1361	363	1324	376	1289	390	1249	403	1212	417	1172	430
	MED/HI	1388	263	1344	276	1303	290	1264	303	1222	316	1179	329	1134	343	1082	358	1013	374
	MED	1250	208	1206	221	1164	234	1121	246	1076	258	1029	272	968	288	903	303	863	313
	MED/LOW	1151	171	1105	183	1060	195	1010	207	958	220	895	235	-	-	-	-	-	-
4 <sup>3</sup>	LOW	1009	130	932	134	874	145	-	-	-	-	-	-	-	-	-	-	-	-
	HI	1975	636	1937	696	1900	714	1866	734	1831	749	1791	764	1743	769	1660	743	1520	685
	MED/HI	1793	539	1759	557	1724	571	1685	585	1654	602	1613	619	1572	638	1520	653	1449	639
	MED	1614	408	1577	426	1532	438	1497	455	1458	472	1412	490	1360	505	1317	521	1285	536
5 <sup>3</sup>	MED/LOW	1520	362	1481	380	1437	391	1408	406	1370	423	1324	440	1274	455	1242	469	1199	485
	LOW	1250	223	1210	237	1156	247	-	-	-	-	-	-	-	-	-	-	-	-
	HI	2166	883	2169	931	2158	950	2134	964	2095	979	2040	971	1963	940	1881	898	1791	854
	MED/HI	2060	771	2042	784	2035	808	2006	826	1970	844	1934	859	1888	861	1821	843	1730	806
5 <sup>3</sup>	MED	1940	637	1920	656	1907	675	1870	696	1834	715	1802	730	1759	740	1722	756	1657	748
	MED/LOW	1688	413	1645	432	1611	451	1575	468	1534	479	1498	497	1461	513	-	-	-	-
	LOW	1509	327	1477	339	-	-	-	-	-	-	-	-	-	-	-	-	-	-

1. Factory set on medium speed tap.
2. Includes allowances for a wet evaporator coil and 1" filters. Refer to STATIC RESISTANCES Table for resistance values.
3. Bottom Duct application (230 Volts)



## Belt Drive RPM Selection

Size (Tons)	Model	HP	Max BHP	Motor Sheave	Blower Sheave	5 Turns Open	4 Turns Open	3 Turns Open	2 Turns Open	1 Turn Open	Fully Closed
036 (3)	ZF/ZR	1.5	1.73	1VL44	AK64	805	865	920	980	1035	1095
		1.5	1.73	1VP56	AK66	1115	1170	1225	1280	1335	1390
048 (4)	ZF/ZR	1.5	1.73	1VL44	AK56	930	995	1060	1130	1195	1260
		1.5	1.73	1VP56	AK61	1210	1270	1330	1390	1455	1515
060 (5)	ZF/ZR	1.5	1.73	1VL44	AK56	930	995	1060	1130	1195	1260
		2	2.3	1VP56	AK56	1325	1395	1460	1525	1590	1660
072 (6)	ZF	1.5	1.73	1VL44	AK56	930	995	1060	1130	1195	1260
		3	3.45	1VP56	AK56	1325	1395	1460	1525	1590	1660
036 (3)	XP	1.5	1.73	1VL44	AK64	805	865	920	980	1035	1095
		1.5	1.73	1VP56	AK66	1115	1170	1225	1280	1335	1390
048 (4)	XP	1.5	1.73	1VL44	AK56	930	995	1060	1130	1195	1260
		1.5	1.73	1VP56	AK61	1210	1270	1330	1390	1455	1515
060 (5)	XP	1.5	1.73	1VL44	AK56	930	995	1060	1130	1195	1260
		2	2.3	1VP56	AK56	1325	1395	1460	1525	1590	1660

## Additional Static Resistance

Size (Tons)	CFM	Cooling Only <sup>1</sup>	Economizer <sup>2 3</sup>	Electric Heat kW <sup>2</sup>	
				7 - 15	20 - 30
036 (3.0) 048 (4.0) 060 (5.0) 072 (6.0)	1000	0.08	0.07	0.04	0.06
	1200	0.10	0.08	0.05	0.07
	1400	0.12	0.09	0.06	0.08
	1600	0.14	0.11	0.07	0.09
	1800	0.16	0.13	0.08	0.11
	2000	0.18	0.15	0.10	0.13
	2200	0.20	0.17	0.12	0.15
	2400	0.23	0.20	0.14	0.17
	2600	0.26	0.23	0.16	0.20
	2800	0.29	0.26	0.19	0.23
3000	0.32	0.30	0.22	0.26	

1. Add these values to the available static resistance in the respective Blower Performance Tables (ZF, ZR Only).
2. Deduct these values from the available external static pressure shown in the respective Blower Performance Tables.
3. The pressure drop through the economizer is greater for 100% outdoor air than for 100% return air. If the resistance of the return air duct is less than 0.25 IWG, the unit will deliver less CFM during full economizer operation.

**Drive Selection**

1. Determine side or bottom supply air duct application.
2. Determine desired airflow.
3. Calculate or measure the amount of external static pressure.
4. Using the operating point determined from steps 1, 2 & 3, locate this point on the appropriate supply air blower performance table. (Linear interpolation may be necessary.)
5. Noting the RPM and BHP from step 4, locate the appropriate motor and/or drive on the RPM selection table.
6. Review the BHP compared to the motor options available. Select the appropriate motor and/or drive.
7. Review the RPM range for the motor options available. Select the appropriate drive if multiple drives are available for the chosen motor.
8. Determine turns open to obtain the desired operation point.

**Example**

1. 2200 CFM
2. 1.6 iwg
3. Using the supply air blower performance table below, the following data point was located: 1478 RPM & 1.82 BHP.
4. Using the RPM selection table below, Size X and Model Y is found.
5. 1.82 BHP exceeds the maximum continuous BHP rating of the 1.5 HP motor. The 2 HP motor is required.
6. 1478 RPM is within the range of the 2 HP drive.
7. Using the 2 HP motor and drive, 2.5 turns open will achieve 1478 RPM.

**Example Supply Air Blower Performance**

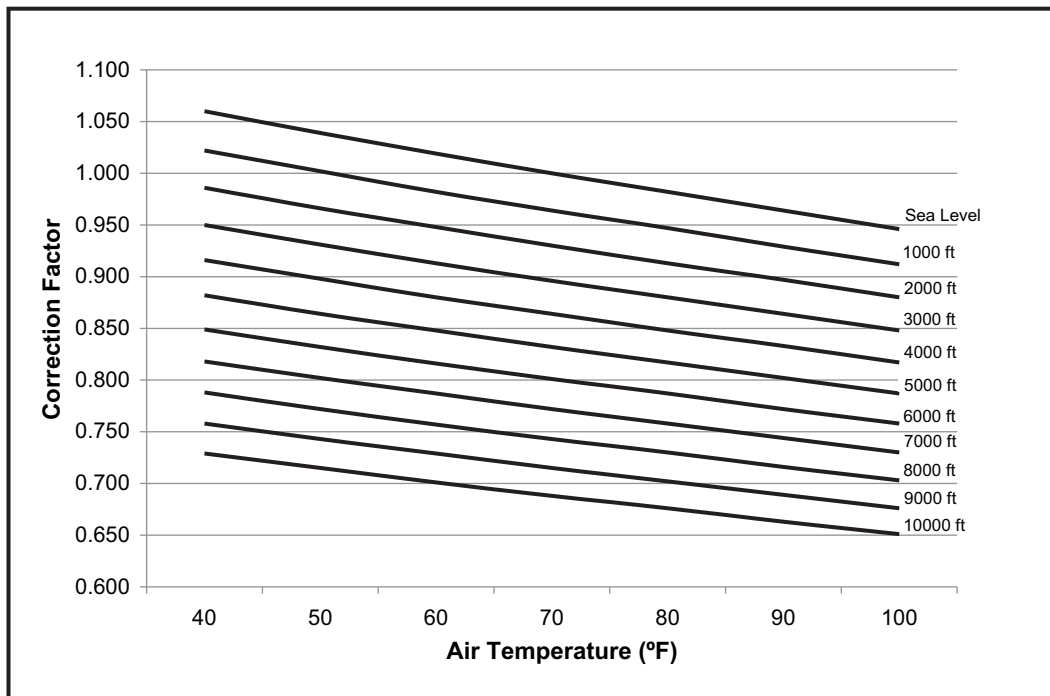
Air Flow (CFM)	Available External Static Pressure - IWG																			
	0.2		0.4		0.6		0.8		1.0		1.2		1.4		1.6		1.8		2.0	
	RPM	BHP	RPM	BHP	RPM	BHP	RPM	BHP	RPM	BHP	RPM	BHP	RPM	BHP	RPM	BHP	RPM	BHP	RPM	BHP
	Field Supplied Drive		Standard Drive Option						High Static Drive Option											
2000	907	1.00	990	1.07	1070	1.15	1146	1.23	1220	1.31	1291	1.40	1359	1.49	1425	1.58	1488	1.68	1550	1.77
2200	960	1.24	1043	1.31	1123	1.39	1199	1.47	1273	1.55	1344	1.64	1412	1.73	1478	1.82	1541	1.92	1602	2.01
2400	1015	1.51	1099	1.59	1178	1.66	1255	1.74	1329	1.83	1400	1.92	1468	2.01	1534	2.10	1597	2.19	1658	2.29
2600	1074	1.83	1157	1.90	1237	1.98	1314	2.06	1387	2.14	1458	2.23	-	-	-	-	-	-	-	-

**Table X: RPM Selection**

Size (Tons)	Model	HP	Max BHP	Motor Sheave	Blower Sheave	5 Turns Open	4 Turns Open	3 Turns Open	2 Turns Open	1 Turn Open	Fully Closed
X	Y	1.5	1.73	1VL44	AK56	930	995	1060	1130	1195	1260
		2	2.3	1VP56	AK56	1325	1395	1460	1525	1590	1660

### Altitude/Temperature Correction Factors

Air Temp.	Altitude (Ft.)										
	0	1000	2000	3000	4000	5000	6000	7000	8000	9000	10000
40	1.060	1.022	0.986	0.950	0.916	0.882	0.849	0.818	0.788	0.758	0.729
50	1.039	1.002	0.966	0.931	0.898	0.864	0.832	0.802	0.772	0.743	0.715
60	1.019	0.982	0.948	0.913	0.880	0.848	0.816	0.787	0.757	0.729	0.701
70	1.000	0.964	0.930	0.896	0.864	0.832	0.801	0.772	0.743	0.715	0.688
80	0.982	0.947	0.913	0.880	0.848	0.817	0.787	0.758	0.730	0.702	0.676
90	0.964	0.929	0.897	0.864	0.833	0.802	0.772	0.744	0.716	0.689	0.663
100	0.946	0.912	0.880	0.848	0.817	0.787	0.758	0.730	0.703	0.676	0.651



**Electric Heat Minimum Supply Air**

Size (Tons)	Voltage	Minimum Supply Air (CFM)					
		Heater kW					
		5	7	10	15	20	30
036 (3.0)	208/230-1-60	900	900	900	900	900	-
	208/230-3-60	900	900	900	900	900	-
	460-3-60	-	900	900	900	900	-
	600-3-60	-	-	900	900	900	-
048 (4.0)	208/230-1-60	1200	1200	1200	1200	1200	-
	208/230-3-60	1200	1200	1200	1200	1200	-
	460-3-60	-	1200	1200	1200	1200	-
	600-3-60	-	-	1200	1200	1200	-
060 (5.0)	208/230-1-60	1500	1500	1500	1500	1500	1500
	208/230-3-60	1500	1500	1500	1500	1500	1500
	460-3-60	-	1500	1500	1500	1500	1500
	600-3-60	-	-	1500	1500	1500	1500
072 (6.0)	208/230-3-60	1500	1500	1500	1500	1500	1500
	460-3-60	-	1500	1500	1500	1500	1500
	600-3-60	-	-	1500	1500	1500	1500

**Indoor Blower Specifications (Belt Drive)**

Size (Tons)	Motor					Motor Sheave			Blower Sheave			Belt
	HP	RPM	Eff.	SF	Frame	Datum Dia. (in.)	Bore (in.)	Model	Datum Dia. (in.)	Bore (in.)	Model	
036 (3.0)	1-1/2	1725	0.8	1.15	56	2.8 - 3.8	7/8	1VL44	6.0	1	AK64	A37
	1-1/2	1725	0.8	1.15	56	4.0 - 5.0	7/8	1VP56	6.2	1	AK66	A39
048 (4.0)	1-1/2	1725	0.8	1.15	56	2.8 - 3.8	7/8	1VL44	5.2	1	AK56	A36
	1-1/2	1725	0.8	1.15	56	4.0 - 5.0	7/8	1VP56	5.7	1	AK61	A38
060 (5.0)	1-1/2	1725	0.8	1.15	56	2.8 - 3.8	7/8	1VL44	5.2	1	AK56	A36
	2	1725	0.8	1.15	56	4.0 - 5.0	7/8	1VP56	5.2	1	AK56	A38
072 (6.0)	1-1/2	1725	0.8	1.15	56	2.8 - 3.8	7/8	1VL44	5.2	1	AK56	A36
	3	1725	0.8	1.15	56	4.0 - 5.0	7/8	1VP56	5.2	1	AK56	A38

**Power Exhaust Specifications**

Model	Voltage	Motor			Motor			Fuse Size	CFM @ 0.1 ESP
		HP	RPM <sup>1</sup>	QTY	LRA	FLA	MCA		
2PE04703025	208/230-1-60	1/2	1725	1	23.7	4.4	5.5	8	1350
2PE04703046	460-1-60	1/2	1725	1	4.1	1.7	2.1	5	1350

1. Motors are multi-tapped and factory wired for high speed.

**Electric Heat Multipliers**

Nominal	Voltage		kW Capacity Multipliers <sup>1</sup>
	Applied		
240	208		0.75
	230		0.92
480	460		0.92
600	575		0.92

1. Electric heaters are rated at nominal voltage. Use this table to determine the electric heat capacity for heaters applied at lower voltages.

## Sound Performance

### ZF/ZR/XP Indoor Sound Power Levels

Size (Tons)	CFM	ESP (IWG)	Blower		Sound Power, dB (10 <sup>-12</sup> ) Watts								
					Sound Rating <sup>1</sup> dB (A)	Octave Band Centerline Frequency (Hz)							
			RPM	BHP		63	125	250	500	1000	2000	4000	8000
036 (3.0)	1200	0.2	630	0.41	63	82	77	59	50	43	42	40	45
048 (4.0)	1600	0.2	791	0.54	72	95	84	58	54	46	44	45	44
060 (5.0)	2000	0.2	840	0.67	62	84	71	58	53	50	49	49	49
072 (6.0)	2200	0.3	920	1.45	76	61	71	68	67	72	66	61	54

1. These values have been accessed using a model of sound propagation from a point source into the hemispheric/free field. The dBA values provided are to be used for reference only. Calculation of dBA values cover matters of system design and the fan manufacture has no way of knowing the details of each system. This constitutes an exception to any specification or guarantee requiring a dBA value of sound data in any other form than sound power level ratings.

### ZF/ZR Outdoor Sound Power Levels

Size (Tons)	Sound Rating <sup>1</sup> dB (A)	Octave Band Centerline Frequency (Hz)							
		63	125	250	500	1000	2000	4000	8000
036 (3.0)	81	87.5	86.0	81.0	77.0	75.0	69.5	65.5	70.5
048 (4.0)	80	84.5	81.0	80.0	78.0	75.0	70.0	67.0	70.5
060 (5.0)	82	86.5	87.5	81.5	77.5	75.0	71.5	68.0	70.5

1. Rated in accordance with ARI 270 standard.

### XP Outdoor Sound Power Levels

Size (Tons)	Sound Rating <sup>1</sup> dB (A)	Octave Band Centerline Frequency (Hz)							
		63	125	250	500	1000	2000	4000	8000
036 (3.0)	76	83.5	84.5	76.5	72.0	68.0	66.0	60.0	56.0
048 (4.0)	80	85.0	83.0	81.0	77.5	75.5	71.5	67.5	61.5
060 (5.0)	80	86.0	84.0	81.0	77.0	75.5	71.0	66.5	60.5

1. Rated in accordance with ARI 270 standard.

## Electrical Data

### Without Powered Convenience Outlet

#### ZF036-060 (Belt Drive)

Size (Tons)	Volt	Compressors (each)			OD Fan Motors (each)	Supply Blower Motor	Pwr Conv Outlet	Electric Heat Option				MCA <sup>1</sup> (Amps)	Max Fuse <sup>2</sup> / Breaker <sup>3</sup> Size (Amps)
		RLA	LRA	MCC	FLA	FLA	FLA	Model	kW	Stages	Amps		
036 (3.0)	208-1-60	14.7	74.0	23.0	2.3	7.6	0.0	None	-	-	-	28.3	35
								E05	4.0	1	19.2	33.5	40
								E07	5.6	1	26.9	43.2	45
								E10	8.0	1	38.5	57.6	60
								E15	11.9	2	57.2	81.0	90
								E20	15.9	2	76.4	105.1	110
	230-1-60	14.7	74.0	23.0	2.3	7.6	0.0	None	-	-	-	28.3	35
								E05	5.3	1	22.1	37.1	40
								E07	7.5	1	31.3	48.6	50
								E10	10.6	1	44.2	64.7	70
								E15	15.9	2	66.3	92.3	100
								E20	21.2	2	88.3	119.9	125
	208-3-60	9.1	68.0	14.2	2.3	5.2	0.0	None	-	-	-	18.9	25
								E05	4.0	1	11.1	20.4	25
								E07	5.6	1	15.5	25.9	30
								E10	8.0	1	22.2	34.3	35
								E15	11.9	2	33.0	47.8	50
								E20	15.9	2	44.1	61.7	70
	230-3-60	9.1	68.0	14.2	2.3	5.2	0.0	None	-	-	-	18.9	25
								E05	5.3	1	12.7	22.4	25
								E07	7.5	1	18.0	29.1	30
								E10	10.6	1	25.5	38.4	40
								E15	15.9	2	38.2	54.3	60
								E20	21.2	2	51.0	70.2	80
460-3-60	4.5	34.0	7.0	1.3	2.6	0.0	None	-	-	-	9.5	15	
							E07	6.8	1	8.2	13.5	15	
							E10	10.1	1	12.1	18.4	20	
							E15	13.6	2	16.4	23.7	25	
							E20	19.5	2	23.5	32.6	35	
							None	-	-	-	7.8	15	
575-3-60	3.8	28.0	6.0	1.3	2.0	0.0	E10	10.6	1	10.2	15.2	20	
							E15	15.9	1	15.3	21.6	25	
							E20	21.2	2	20.4	28.0	30	
							None	-	-	-	-	-	

## ZF036-060 (Belt Drive) (Continued)

Size (Tons)	Volt	Compressors (each)			OD Fan Motors (each)	Supply Blower Motor	Pwr Conv Outlet	Electric Heat Option				MCA <sup>1</sup> (Amps)	Max Fuse <sup>2</sup> / Breaker <sup>3</sup> Size (Amps)	
		RLA	LRA	MCC	FLA	FLA	FLA	Model	kW	Stages	Amps			
048 (4.0)	208-1-60	20.5	115.0	32.0	2	3	7.6	0.0	None	-	-	-	35.5	45
									E05	4.0	1	19.2	35.5	45
									E07	5.6	1	26.9	43.2	50
									E10	8.0	1	38.5	57.6	60
									E15	11.9	2	57.2	81.0	90
									E20	15.9	2	76.4	105.1	110
	230-1-60	20.5	115.0	32.0	2	3	7.6	0.0	None	-	-	-	35.5	45
									E05	5.3	1	22.1	37.1	45
									E07	7.5	1	31.3	48.6	50
									E10	10.6	1	44.2	64.7	70
									E15	15.9	2	66.3	92.3	100
									E20	21.2	2	88.3	119.9	125
	208-3-60	16.0	120.0	25.0	2	3	5.2	0.0	None	-	-	-	27.5	35
									E05	4.0	1	11.1	27.5	35
									E07	5.6	1	15.5	27.5	35
									E10	8.0	1	22.2	34.3	40
									E15	11.9	2	33.0	47.8	50
									E20	15.9	2	44.1	61.7	70
	230-3-60	16.0	120.0	25.0	2	3	5.2	0.0	None	-	-	-	27.5	35
									E05	5.3	1	12.7	27.5	35
									E07	7.5	1	18.0	29.1	35
									E10	10.6	1	25.5	38.4	40
									E15	15.9	2	38.2	54.3	60
									E20	21.2	2	51.0	70.2	80
	460-3-60	7.7	50.0	12.0	1	3	2.6	0.0	None	-	-	-	13.5	20
									E07	6.8	1	8.2	13.5	20
									E10	10.1	1	12.1	18.4	20
									E15	13.6	2	16.4	23.7	25
E20									19.5	2	23.5	32.6	35	
None									-	-	-	11.0	15	
575-3-60	6.4	40.0	10.0	1	3	2.0	0.0	E10	10.6	1	10.2	15.2	20	
								E15	15.9	1	15.3	21.6	25	
								E20	21.2	2	20.4	28.0	30	
								None	-	-	-	11.0	15	

ZF036-060 (Belt Drive) (Continued)

Size (Tons)	Volt	Compressors (each)			OD Fan Motors (each)	Supply Blower Motor	Pwr Conv Outlet	Electric Heat Option				MCA <sup>1</sup> (Amps)	Max Fuse <sup>2</sup> / Breaker <sup>3</sup> Size (Amps)
		RLA	LRA	MCC	FLA	FLA	FLA	Model	kW	Stages	Amps		
060 (5.0)	208-1-60	26.2	150.0	41.0	2 3	7.6	0.0	None	-	-	-	42.7	60
								E05	4.0	1	19.2	42.7	60
								E07	5.6	1	26.9	43.2	60
								E10	8.0	1	38.5	57.6	60
								E15	11.9	2	57.2	81.0	90
								E20	15.9	2	76.4	105.1	110
	230-1-60	26.2	150.0	41.0	2 3	7.6	0.0	None	-	-	-	42.7	60
								E05	5.3	1	22.1	42.7	60
								E07	7.5	1	31.3	48.6	60
								E10	10.6	1	44.2	64.7	70
								E15	15.9	2	66.3	92.3	100
								E20	21.2	2	88.3	119.9	125
	208-3-60	17.6	120.0	27.5	2 3	5.2	0.0	None	-	-	-	29.5	40
								E05	4.0	1	11.1	29.5	40
								E07	5.6	1	15.5	29.5	40
								E10	8.0	1	22.2	34.3	45
								E15	11.9	2	33.0	47.8	50
								E20	15.9	2	44.1	61.7	70
	230-3-60	17.6	120.0	27.5	2 3	5.2	0.0	None	-	-	-	29.5	40
								E05	5.3	1	12.7	29.5	40
								E07	7.5	1	18.0	29.5	40
								E10	10.6	1	25.5	38.4	45
								E15	15.9	2	38.2	54.3	60
								E20	21.2	2	51.0	70.2	80
460-3-60	8.3	70 0	13.0	1 3	2.6	0.0	None	-	-	-	14.3	20	
							E07	6.8	1	8.2	14.3	20	
							E10	10.1	1	12.1	18.4	20	
							E15	13.6	2	16.4	23.7	25	
							E20	19.5	2	23.5	32.6	35	
							E30	28.8	2	34.6	46.6	50	
575-3-60	7.4	53 0	11.5	1 3	2.0	0.0	None	-	-	-	12.3	15	
							E10	10.6	1	10.2	15.2	20	
							E15	15.9	1	15.3	21.6	25	
							E20	21.2	2	20.4	28.0	30	
							E30	30.4	2	29.3	39.1	40	

1. Minimum Circuit Ampacity.
2. Dual Element, Time Delay Type.
3. HACR type per NEC.



**ZF072 (Belt Drive) Cooling With/Without Electric Heat**

Size (Tons)	Volt	Compressors (each)			OD Fan Motors (each)	Supply Blower Motor	Pwr Conv Outlet	Electric Heat Option				MCA <sup>1</sup> (Amps)	Max Fuse <sup>2</sup> / Breaker <sup>3</sup> Size (Amps)
		RLA	LRA	MCC	FLA	FLA	FLA	Model	kW	Stages	Amps		
072 (6.0)	208-3-60	19.0	123.0	29.7	5 3	5.2	0.0	None	-	-	-	34.3	45
								E05	4.0	1	11.1	34.3	45
								E07	5.6	1	15.5	34.3	45
								E10	8.0	1	22.2	34.3	45
								E15	11.9	2	33.0	47.8	50
								E20	15.9	2	44.1	61.7	70
	230-3-60	19.0	123.0	29.7	5 3	5.2	0.0	None	-	-	-	34.3	45
								E05	5.3	1	12.7	34.3	45
								E07	7.5	1	18.0	34.3	45
								E10	10.6	1	25.5	38.4	50
								E15	15.9	2	38.2	54.3	60
								E20	21.2	2	51.0	70.2	80
	460-3-60	9.7	62.0	15.2	5 3	2.6	0.0	None	-	-	-	17.4	25
								E07	6.8	1	8.2	17.4	25
								E10	10.1	1	12.1	18.4	25
								E15	13.6	2	16.4	23.7	25
								E20	19.5	2	23.5	32.6	35
								E30	28.8	2	34.6	46.6	50
	575-3-60	7.4	50.0	11.6	5 3	2.0	0.0	None	-	-	-	13.4	15
								E10	10.6	1	10.2	15.2	20
								E15	15.9	1	15.3	21.6	25
								E20	21.2	2	20.4	28.0	30
								E30	30.4	2	29.3	39.1	40

1. Minimum Circuit Ampacity.
2. Dual Element, Time Delay Type.
3. HACR type per NEC.

**ZF072 (Belt Drive) Cooling With Gas Heat**

Size (Tons)	Volt	Compressors (each)			OD Fan Motors (each)	Supply Blower Motor	Pwr Conv Outlet	MCA <sup>1</sup> (Amps)	Max Fuse <sup>2</sup> / Breaker <sup>3</sup> Size (Amps)								
		RLA	LRA	MCC	FLA	FLA	FLA										
072 (6.0)	208-3-60	19.0	123.0	29.7	2 3	5.2	0.0	31.3	40.0								
	230-3-60																
	460-3-60									9.7	62.0	15.2	1 3	2.6	0.0	16.0	25.0
	575-3-60									7.4	50.0	11.6	1 3	2.0	0.0	12.3	15.0

1. Minimum Circuit Ampacity.
2. Dual Element, Time Delay Type.
3. HACR type per NEC.

ZF036-060 (Belt Drive High Static)

Size (Tons)	Volt	Compressors (each)			OD Fan Motors (each)	Supply Blower Motor	Pwr Conv Outlet	Electric Heat Option				MCA <sup>1</sup> (Amps)	Max Fuse <sup>2</sup> / Breaker <sup>3</sup> Size (Amps)
		RLA	LRA	MCC	FLA	FLA	FLA	Model	kW	Stages	Amps		
036 (3.0)	208-1-60	14.7	74.0	23.0	2.3	7.6	0.0	None	-	-	-	28.3	35
								E05	4.0	1	19.2	33.5	40
								E07	5.6	1	26.9	43.2	45
								E10	8.0	1	38.5	57.6	60
								E15	11.9	2	57.2	81.0	90
								E20	15.9	2	76.4	105.1	110
	230-1-60	14.7	74.0	23.0	2.3	7.6	0.0	None	-	-	-	28.3	35
								E05	5.3	1	22.1	37.1	40
								E07	7.5	1	31.3	48.6	50
								E10	10.6	1	44.2	64.7	70
								E15	15.9	2	66.3	92.3	100
								E20	21.2	2	88.3	119.9	125
	208-3-60	9.1	68.0	14.2	2.3	5.2	0.0	None	-	-	-	18.9	25
								E05	4.0	1	11.1	20.4	25
								E07	5.6	1	15.5	25.9	30
								E10	8.0	1	22.2	34.3	35
								E15	11.9	2	33.0	47.8	50
								E20	15.9	2	44.1	61.7	70
	230-3-60	9.1	68.0	14.2	2.3	5.2	0.0	None	-	-	-	18.9	25
								E05	5.3	1	12.7	22.4	25
								E07	7.5	1	18.0	29.1	30
								E10	10.6	1	25.5	38.4	40
								E15	15.9	2	38.2	54.3	60
								E20	21.2	2	51.0	70.2	80
460-3-60	4.5	34.0	7.0	1.3	2.6	0.0	None	-	-	-	9.5	15	
							E07	6.8	1	8.2	13.5	15	
							E10	10.1	1	12.1	18.4	20	
							E15	13.6	2	16.4	23.7	25	
							E20	19.5	2	23.5	32.6	35	
							None	-	-	-	7.8	15	
575-3-60	3.8	28.0	6.0	1.3	2.0	0.0	None	-	-	-	7.8	15	
							E10	10.6	1	10.2	15.2	20	
							E15	15.9	1	15.3	21.6	25	
							E20	21.2	2	20.4	28.0	30	
							None	-	-	-	35.5	45	
							E05	4.0	1	19.2	35.5	45	
048 (4.0)	208-1-60	20.5	115.0	32.0	2.3	7.6	0.0	None	-	-	-	35.5	45
								E05	4.0	1	19.2	35.5	45
								E07	5.6	1	26.9	43.2	50
								E10	8.0	1	38.5	57.6	60
								E15	11.9	2	57.2	81.0	90
								E20	15.9	2	76.4	105.1	110
	230-1-60	20.5	115.0	32.0	2.3	7.6	0.0	None	-	-	-	35.5	45
								E05	5.3	1	22.1	37.1	45
								E07	7.5	1	31.3	48.6	50
								E10	10.6	1	44.2	64.7	70
								E15	15.9	2	66.3	92.3	100
								E20	21.2	2	88.3	119.9	125
	208-3-60	16.0	120.0	25.0	2.3	5.2	0.0	None	-	-	-	27.5	35
								E05	4.0	1	11.1	27.5	35
								E07	5.6	1	15.5	27.5	35
								E10	8.0	1	22.2	34.3	40
								E15	11.9	2	33.0	47.8	50
								E20	15.9	2	44.1	61.7	70
	230-3-60	16.0	120.0	25.0	2.3	5.2	0.0	None	-	-	-	27.5	35
								E05	5.3	1	12.7	27.5	35
								E07	7.5	1	18.0	29.1	35
								E10	10.6	1	25.5	38.4	40
								E15	15.9	2	38.2	54.3	60
								E20	21.2	2	51.0	70.2	80
460-3-60	7.7	50.0	12.0	1.3	2.6	0.0	None	-	-	-	13.5	20	
							E07	6.8	1	8.2	13.5	20	
							E10	10.1	1	12.1	18.4	20	
							E15	13.6	2	16.4	23.7	25	
							E20	19.5	2	23.5	32.6	35	
							None	-	-	-	11.0	15	
575-3-60	6.4	40.0	10.0	1.3	2.0	0.0	None	-	-	-	11.0	15	
							E10	10.6	1	10.2	15.2	20	
							E15	15.9	1	15.3	21.6	25	
							E20	21.2	2	20.4	28.0	30	
							None	-	-	-	35.5	45	
							E05	4.0	1	19.2	35.5	45	

## ZF036-060 (Belt Drive High Static) (Continued)

Size (Tons)	Volt	Compressors (each)			OD Fan Motors (each)	Supply Blower Motor	Pwr Conv Outlet	Electric Heat Option				MCA <sup>1</sup> (Amps)	Max Fuse <sup>2</sup> / Breaker <sup>3</sup> Size (Amps)
		RLA	LRA	MCC	FLA	FLA	FLA	Model	kW	Stages	Amps		
060 (5.0)	208-3-60	17.6	120.0	27.5	2 3	8.2	0.0	None	-	-	-	32.5	40
								E05	4.0	1	11.1	32.5	40
								E07	5.6	1	15.5	32.5	40
								E10	8.0	1	22.2	38.0	50
								E15	11.9	2	33.0	51.5	60
								E20	15.9	2	44.1	65.4	70
	230-3-60	17.6	120.0	27.5	2 3	8.2	0.0	None	-	-	-	32.5	40
								E05	5.3	1	12.7	32.5	40
								E07	7.5	1	18.0	32.8	40
								E10	10.6	1	25.5	42.1	50
								E15	15.9	2	38.2	58.1	60
								E20	21.2	2	51.0	74.0	80
	460-3-60	8.3	70.0	13.0	1 3	4.1	0.0	None	-	-	-	15.8	20
								E07	6.8	1	8.2	15.8	20
								E10	10.1	1	12.1	20.3	25
								E15	13.6	2	16.4	25.6	30
								E20	19.5	2	23.5	34.4	35
								E30	28.8	2	34.6	48.4	50
	575-3-60	7.4	53.0	11.5	1 3	3.6	0.0	None	-	-	-	13.9	20
								E10	10.6	1	10.2	17.2	20
								E15	15.9	1	15.3	23.6	25
								E20	21.2	2	20.4	30.0	30
								E30	30.4	2	29.3	41.1	45

1. Minimum Circuit Ampacity.
2. Dual Element, Time Delay Type.
3. HACR type per NEC.

**ZF072 (Belt Drive High Static) Cooling With/Without Electric Heat**

Size (Tons)	Volt	Compressors (each)			OD Fan Motors (each)	Supply Blower Motor	Pwr Conv Outlet	Electric Heat Option				MCA <sup>1</sup> (Amps)	Max Fuse <sup>2</sup> / Breaker <sup>3</sup> Size (Amps)
		RLA	LRA	MCC	FLA	FLA	FLA	Model	kW	Stages	Amps		
072 (6.0)	208-3-60	19.0	123.0	29.7	5 3	10.9	0.0	None	-	-	-	40.0	50
								E05	4.0	1	11.1	40.0	50
								E07	5.6	1	15.5	40.0	50
								E10	8.0	1	22.2	41.4	50
								E15	11.9	2	33.0	54.9	60
								E20	15.9	2	44.1	68.8	70
	230-3-60	19.0	123.0	29.7	5 3	10.9	0.0	None	-	-	-	40.0	50
								E05	5.3	1	12.7	40.0	50
								E07	7.5	1	18.0	40.0	50
								E10	10.6	1	25.5	45.5	50
								E15	15.9	2	38.2	61.4	70
								E20	21.2	2	51.0	77.4	80
	460-3-60	9.7	62.0	15.2	5 3	5.3	0.0	None	-	-	-	20.1	25
								E07	6.8	1	8.2	20.1	25
								E10	10.1	1	12.1	21.8	25
								E15	13.6	2	16.4	27.1	30
								E20	19.5	2	23.5	35.9	40
								E30	28.8	2	34.6	49.9	50
	575-3-60	7.4	50.0	11.6	5 3	4.1	0.0	None	-	-	-	15.5	20
								E10	10.6	1	10.2	17.9	20
E15								15.9	1	15.3	24.2	25	
E20								21.2	2	20.4	30.6	35	
E30								30.4	2	29.3	41.7	45	

1. Minimum Circuit Ampacity.
2. Dual Element, Time Delay Type.
3. HACR type per NEC.

**ZF072 (Belt Drive High Static) Cooling With Gas Heat**

Size (Tons)	Volt	Compressors (each)			OD Fan Motors (each)	Supply Blower Motor	Pwr Conv Outlet	MCA <sup>1</sup> (Amps)	Max Fuse <sup>2</sup> / Breaker <sup>3</sup> Size (Amps)								
		RLA	LRA	MCC	FLA	FLA	FLA										
072 (6.0)	208-3-60	19.0	123.0	29.7	2 3	10.9	0.0	37.0	50.0								
	230-3-60																
	460-3-60									9.7	62.0	15.2	1 3	5.3	0.0	18.7	25.0
	575-3-60									7.4	50.0	11.6	1 3	4.1	0.0	14.4	20.0

1. Minimum Circuit Ampacity.
2. Dual Element, Time Delay Type.
3. HACR type per NEC.

ZF036-060 (Direct Drive)

Size (Tons)	Volt	Compressors (each)			OD Fan Motors (each)	Supply Blower Motor	Pwr Conv Outlet	Electric Heat Option				MCA <sup>1</sup> (Amps)	Max Fuse <sup>2</sup> / Breaker <sup>3</sup> Size (Amps)
		RLA	LRA	MCC	FLA	FLA	FLA	Model	kW	Stages	Amps		
036 (3.0)	208-1-60	14.7	74.0	23.0	2.3	6.0	0.0	None	-	-	-	26.7	35
								E05	4.0	1	19.2	31.5	40
								E07	5.6	1	26.9	41.2	45
								E10	8.0	1	38.5	55.6	60
								E15	11.9	2	57.2	79.0	80
								E20	15.9	2	76.4	103.1	110
	230-1-60	14.7	74.0	23.0	2.3	6.0	0.0	None	-	-	-	26.7	35
								E05	5.3	1	22.1	35.1	40
								E07	7.5	1	31.3	46.6	50
								E10	10.6	1	44.2	62.7	70
								E15	15.9	2	66.3	90.3	100
								E20	21.2	2	88.3	117.9	125
	208-3-60	9.1	68.0	14.2	2.3	6.0	0.0	None	-	-	-	19.7	25
								E05	4.0	1	11.1	21.4	25
								E07	5.6	1	15.5	26.9	30
								E10	8.0	1	22.2	35.3	40
								E15	11.9	2	33.0	48.8	50
								E20	15.9	2	44.1	62.7	70
	230-3-60	9.1	68.0	14.2	2.3	6.0	0.0	None	-	-	-	19.7	25
								E05	5.3	1	12.7	23.4	25
								E07	7.5	1	18.0	30.1	35
								E10	10.6	1	25.5	39.4	40
								E15	15.9	2	38.2	55.3	60
								E20	21.2	2	51.0	71.2	80
048 (4.0)	208-1-60	20.5	115.0	32.0	2.3	7.6	0.0	None	-	-	-	35.5	45
								E05	4.0	1	19.2	35.5	45
								E07	5.6	1	26.9	43.2	50
								E10	8.0	1	38.5	57.6	60
								E15	11.9	2	57.2	81.0	90
								E20	15.9	2	76.4	105.1	110
	230-1-60	20.5	115.0	32.0	2.3	7.6	0.0	None	-	-	-	35.5	45
								E05	5.3	1	22.1	37.1	45
								E07	7.5	1	31.3	48.6	50
								E10	10.6	1	44.2	64.7	70
								E15	15.9	2	66.3	92.3	100
								E20	21.2	2	88.3	119.9	125
	208-3-60	16.0	120.0	25.0	2.3	7.6	0.0	None	-	-	-	29.9	40
								E05	4.0	1	11.1	29.9	40
								E07	5.6	1	15.5	29.9	40
								E10	8.0	1	22.2	37.3	45
								E15	11.9	2	33.0	50.8	60
								E20	15.9	2	44.1	64.7	70
	230-3-60	16.0	120.0	25.0	2.3	7.6	0.0	None	-	-	-	29.9	40
								E05	5.3	1	12.7	29.9	40
								E07	7.5	1	18.0	32.1	40
								E10	10.6	1	25.5	41.4	45
								E15	15.9	2	38.2	57.3	60
								E20	21.2	2	51.0	73.2	80

ZF036-060 (Direct Drive) (Continued)

Size (Tons)	Volt	Compressors (each)			OD Fan Motors (each)	Supply Blower Motor	Pwr Conv Outlet	Electric Heat Option				MCA <sup>1</sup> (Amps)	Max Fuse <sup>2</sup> / Breaker <sup>3</sup> Size (Amps)
		RLA	LRA	MCC	FLA	FLA	FLA	Model	kW	Stages	Amps		
060 (5.0)	208-1-60	26.2	150.0	41.0	2 3	7.6	0.0	None	-	-	-	42.7	60
								E05	4.0	1	19.2	42.7	60
								E07	5.6	1	26.9	43.2	60
								E10	8.0	1	38.5	57.6	60
								E15	11.9	2	57.2	81.0	90
								E20	15.9	2	76.4	105.1	110
	230-1-60	26.2	150.0	41.0	2 3	7.6	0.0	None	-	-	-	42.7	60
								E05	5.3	1	22.1	42.7	60
								E07	7.5	1	31.3	48.6	60
								E10	10.6	1	44.2	64.7	70
								E15	15.9	2	66.3	92.3	100
								E20	21.2	2	88.3	119.9	125
	208-3-60	17.6	120.0	27.5	2 3	7.6	0.0	None	-	-	-	31.9	40
								E05	4.0	1	11.1	31.9	40
								E07	5.6	1	15.5	31.9	40
								E10	8.0	1	22.2	37.3	45
								E15	11.9	2	33.0	50.8	60
								E20	15.9	2	44.1	64.7	70
	230-3-60	17.6	120.0	27.5	2 3	7.6	0.0	None	-	-	-	31.9	40
								E05	5.3	1	12.7	31.9	40
								E07	7.5	1	18.0	32.1	40
								E10	10.6	1	25.5	41.4	45
								E15	15.9	2	38.2	57.3	60
								E20	21.2	2	51.0	73.2	80
							E30	29.6	2	71.2	98.5	100	

1. Minimum Circuit Ampacity.
2. Dual Element, Time Delay Type.
3. HACR type per NEC.

**ZF072 (Direct Drive) Cooling With/Without Electric Heat**

Size (Tons)	Volt	Compressors (each)			OD Fan Motors (each)	Supply Blower Motor	Pwr Conv Outlet	Electric Heat Option				MCA <sup>1</sup> (Amps)	Max Fuse <sup>2</sup> / Breaker <sup>3</sup> Size (Amps)
		RLA	LRA	MCC	FLA	FLA	FLA	Model	kW	Stages	Amps		
072 (6.0)	208-3-60	19.0	123.0	29.7	5 3	7.6	0.0	None	-	-	-	36.7	50
								E05	4.0	1	11.1	36.7	50
								E07	5.6	1	15.5	36.7	50
								E10	8.0	1	22.2	37.3	50
								E15	11.9	2	33.0	50.8	60
								E20	15.9	2	44.1	64.7	70
								E30	22.2	2	61.6	86.5	90
	230-3-60	19.0	123.0	29.7	5 3	7.6	0.0	None	-	-	-	36.7	50
								E05	5.3	1	12.7	36.7	50
								E07	7.5	1	18.0	36.7	50
								E10	10.6	1	25.5	41.4	50
								E15	15.9	2	38.2	57.3	60
								E20	21.2	2	51.0	73.2	80
								E30	29.6	2	71.2	98.5	100

1. Minimum Circuit Ampacity.
2. Dual Element, Time Delay Type.
3. HACR type per NEC.

**ZF072 (Direct Drive) Cooling With Gas Heat**

Size (Tons)	Volt	Compressors (each)			OD Fan Motors (each)	Supply Blower Motor	Pwr Conv Outlet	MCA <sup>1</sup> (Amps)	Max Fuse <sup>2</sup> / Breaker <sup>3</sup> Size (Amps)
		RLA	LRA	MCC	FLA	FLA	FLA		
072 (6.0)	208-3-60 230-3-60	19.0	123.0	29.7	2 3	7.6	0.0	33.7	45.0

1. Minimum Circuit Ampacity.
2. Dual Element, Time Delay Type.
3. HACR type per NEC.

ZR036-060 (Belt Drive)

Size (Tons)	Volt	Compressors (each)			OD Fan Motors (each)	Supply Blower Motor	Pwr Conv Outlet	Electric Heat Option				MCA <sup>1</sup> (Amps)	Max Fuse <sup>2</sup> / Breaker <sup>3</sup> Size (Amps)							
		RLA	LRA	MCC	FLA	FLA	FLA	Model	kW	Stages	Amps									
036 (3.0)	208-1-60	16.6	88.0	26.0	2.3	7.6	0.0	None	-	-	-	30.6	40							
								E05	4.0	1	19.2	33.5	45							
								E07	5.6	1	26.9	43.2	45							
								E10	8.0	1	38.5	57.6	60							
								E15	11.9	2	57.2	81.0	90							
								E20	15.9	2	76.4	105.1	110							
	230-1-60	16.6	88.0	26.0	2.3	7.6	0.0	None	-	-	-	30.6	40							
								E05	5.3	1	22.1	37.1	45							
								E07	7.5	1	31.3	48.6	50							
								E10	10.6	1	44.2	64.7	70							
								E15	15.9	2	66.3	92.3	100							
								E20	21.2	2	88.3	119.9	125							
	208-3-60	12.8	95.0	20.0	2.3	5.2	0.0	None	-	-	-	23.5	30							
								E05	4.0	1	11.1	23.5	30							
								E07	5.6	1	15.5	25.9	35							
								E10	8.0	1	22.2	34.3	35							
								E15	11.9	2	33.0	47.8	50							
								E20	15.9	2	44.1	61.7	70							
	230-3-60	12.8	95.0	20.0	2.3	5.2	0.0	None	-	-	-	23.5	30							
								E05	5.3	1	12.7	23.5	30							
								E07	7.5	1	18.0	29.1	35							
								E10	10.6	1	25.5	38.4	40							
								E15	15.9	2	38.2	54.3	60							
								E20	21.2	2	51.0	70.2	80							
460-3-60	6.4	45.0	10.0	1.3	2.6	0.0	None	-	-	-	11.9	15								
							E07	6.8	1	8.2	13.5	15								
							E10	10.1	1	12.1	18.4	20								
							E15	13.6	2	16.4	23.7	25								
							E20	19.5	2	23.5	32.6	35								
							None	-	-	-	9.8	15								
575-3-60	5.4	38.0	8.5	1.3	2.0	0.0	None	-	-	-	9.8	15								
							E10	10.6	1	10.2	15.2	20								
							E15	15.9	1	15.3	21.6	25								
							E20	21.2	2	20.4	28.0	30								
							048 (4.0)	208-1-60	21.1	113.0	33.0	2.3	7.6	0.0	None	-	-	-	36.3	45
															E05	4.0	1	19.2	36.3	45
E07	5.6	1	26.9	43.2	50															
E10	8.0	1	38.5	57.6	60															
E15	11.9	2	57.2	81.0	90															
E20	15.9	2	76.4	105.1	110															
230-1-60	21.1	113.0	33.0	2.3	7.6	0.0		None	-	-	-	36.3	45							
								E05	5.3	1	22.1	37.1	45							
								E07	7.5	1	31.3	48.6	50							
								E10	10.6	1	44.2	64.7	70							
								E15	15.9	2	66.3	92.3	100							
								E20	21.2	2	88.3	119.9	125							
208-3-60	16.0	120.0	25.0	2.3	5.2	0.0		None	-	-	-	27.5	35							
								E05	4.0	1	11.1	27.5	35							
								E07	5.6	1	15.5	27.5	35							
								E10	8.0	1	22.2	34.3	40							
								E15	11.9	2	33.0	47.8	50							
								E20	15.9	2	44.1	61.7	70							
230-3-60	16.0	120.0	25.0	2.3	5.2	0.0		None	-	-	-	27.5	35							
								E05	5.3	1	12.7	27.5	35							
								E07	7.5	1	18.0	29.1	35							
								E10	10.6	1	25.5	38.4	40							
								E15	15.9	2	38.2	54.3	60							
								E20	21.2	2	51.0	70.2	80							
460-3-60	8.3	60.0	13.0	1.3	2.6	0.0	None	-	-	-	14.3	20								
							E07	6.8	1	8.2	14.3	20								
							E10	10.1	1	12.1	18.4	20								
							E15	13.6	2	16.4	23.7	25								
							E20	19.5	2	23.5	32.6	35								
							None	-	-	-	11.4	15								
575-3-60	6.7	40.0	10.5	1.3	2.0	0.0	None	-	-	-	11.4	15								
							E10	10.6	1	10.2	15.2	20								
							E15	15.9	1	15.3	21.6	25								
							E20	21.2	2	20.4	28.0	30								



## ZR036-060 (Belt Drive) (Continued)

Size (Tons)	Volt	Compressors (each)			OD Fan Motors (each)	Supply Blower Motor	Pwr Conv Outlet	Electric Heat Option				MCA <sup>1</sup> (Amps)	Max Fuse <sup>2</sup> / Breaker <sup>3</sup> Size (Amps)
		RLA	LRA	MCC	FLA	FLA	FLA	Model	kW	Stages	Amps		
060 (5.0)	208-1-60	28.8	145.0	45.0	2 3	7.6	0.0	None	-	-	-	45.9	60
								E05	4.0	1	19.2	45.9	60
								E07	5.6	1	26.9	45.9	60
								E10	8.0	1	38.5	57.6	70
								E15	11.9	2	57.2	81.0	90
								E20	15.9	2	76.4	105.1	110
	230-1-60	28.8	145.0	45.0	2 3	7.6	0.0	None	-	-	-	45.9	60
								E05	5.3	1	22.1	45.9	60
								E07	7.5	1	31.3	48.6	60
								E10	10.6	1	44.2	64.7	70
								E15	15.9	2	66.3	92.3	100
								E20	21.2	2	88.3	119.9	125
	208-3-60	17.6	123.0	27.5	2 3	5.2	0.0	None	-	-	-	29.5	40
								E05	4.0	1	11.1	29.5	40
								E07	5.6	1	15.5	29.5	40
								E10	8.0	1	22.2	34.3	45
								E15	11.9	2	33.0	47.8	50
								E20	15.9	2	44.1	61.7	70
	230-3-60	17.6	123.0	27.5	2 3	5.2	0.0	None	-	-	-	29.5	40
								E05	5.3	1	12.7	29.5	40
								E07	7.5	1	18.0	29.5	40
								E10	10.6	1	25.5	38.4	45
								E15	15.9	2	38.2	54.3	60
								E20	21.2	2	51.0	70.2	80
460-3-60	9.6	70.0	15.0	1 3	2.6	0.0	None	-	-	-	15.9	20	
							E07	6.8	1	8.2	15.9	20	
							E10	10.1	1	12.1	18.4	25	
							E15	13.6	2	16.4	23.7	25	
							E20	19.5	2	23.5	32.6	35	
							E30	28.8	2	34.6	46.6	50	
575-3-60	7.5	53.0	11.7	1 3	2.0	0.0	None	-	-	-	12.4	15	
							E10	10.6	1	10.2	15.2	20	
							E15	15.9	1	15.3	21.6	25	
							E20	21.2	2	20.4	28.0	30	
							E30	30.4	2	29.3	39.1	40	

1. Minimum Circuit Ampacity.
2. Dual Element, Time Delay Type.
3. HACR type per NEC.

ZR036-060 (Belt Drive High Static)

Size (Tons)	Volt	Compressors (each)			OD Fan Motors (each)	Supply Blower Motor	Pwr Conv Outlet	Electric Heat Option				MCA <sup>1</sup> (Amps)	Max Fuse <sup>2</sup> / Breaker <sup>3</sup> Size (Amps)
		RLA	LRA	MCC	FLA	FLA	FLA	Model	kW	Stages	Amps		
036 (3.0)	208-1-60	16.6	88.0	26.0	2.3	7.6	0.0	None	-	-	-	30.6	40
								E05	4.0	1	19.2	33.5	45
								E07	5.6	1	26.9	43.2	45
								E10	8.0	1	38.5	57.6	60
								E15	11.9	2	57.2	81.0	90
								E20	15.9	2	76.4	105.1	110
	230-1-60	16.6	88.0	26.0	2.3	7.6	0.0	None	-	-	-	30.6	40
								E05	5.3	1	22.1	37.1	45
								E07	7.5	1	31.3	48.6	50
								E10	10.6	1	44.2	64.7	70
								E15	15.9	2	66.3	92.3	100
								E20	21.2	2	88.3	119.9	125
	208-3-60	12.8	95.0	20.0	2.3	5.2	0.0	None	-	-	-	23.5	30
								E05	4.0	1	11.1	23.5	30
								E07	5.6	1	15.5	25.9	35
								E10	8.0	1	22.2	34.3	35
								E15	11.9	2	33.0	47.8	50
								E20	15.9	2	44.1	61.7	70
	230-3-60	12.8	95.0	20.0	2.3	5.2	0.0	None	-	-	-	23.5	30
								E05	5.3	1	12.7	23.5	30
								E07	7.5	1	18.0	29.1	35
								E10	10.6	1	25.5	38.4	40
								E15	15.9	2	38.2	54.3	60
								E20	21.2	2	51.0	70.2	80
460-3-60	6.4	45.0	10.0	1.3	2.6	0.0	None	-	-	-	11.9	15	
							E07	6.8	1	8.2	13.5	15	
							E10	10.1	1	12.1	18.4	20	
							E15	13.6	2	16.4	23.7	25	
							E20	19.5	2	23.5	32.6	35	
							None	-	-	-	9.8	15	
575-3-60	5.4	38.0	8.5	1.3	2.0	0.0	None	-	-	-	9.8	15	
							E10	10.6	1	10.2	15.2	20	
							E15	15.9	1	15.3	21.6	25	
							E20	21.2	2	20.4	28.0	30	
							None	-	-	-	36.3	45	
							E05	4.0	1	19.2	36.3	45	
048 (4.0)	208-1-60	21.1	113.0	33.0	2.3	7.6	0.0	None	-	-	-	36.3	45
								E05	4.0	1	19.2	36.3	45
								E07	5.6	1	26.9	43.2	50
								E10	8.0	1	38.5	57.6	60
								E15	11.9	2	57.2	81.0	90
								E20	15.9	2	76.4	105.1	110
	230-1-60	21.1	113.0	33.0	2.3	7.6	0.0	None	-	-	-	36.3	45
								E05	5.3	1	22.1	37.1	45
								E07	7.5	1	31.3	48.6	50
								E10	10.6	1	44.2	64.7	70
								E15	15.9	2	66.3	92.3	100
								E20	21.2	2	88.3	119.9	125
	208-3-60	16.0	120.0	25.0	2.3	5.2	0.0	None	-	-	-	27.5	35
								E05	4.0	1	11.1	27.5	35
								E07	5.6	1	15.5	27.5	35
								E10	8.0	1	22.2	34.3	40
								E15	11.9	2	33.0	47.8	50
								E20	15.9	2	44.1	61.7	70
	230-3-60	16.0	120.0	25.0	2.3	5.2	0.0	None	-	-	-	27.5	35
								E05	5.3	1	12.7	27.5	35
								E07	7.5	1	18.0	29.1	35
								E10	10.6	1	25.5	38.4	40
								E15	15.9	2	38.2	54.3	60
								E20	21.2	2	51.0	70.2	80
460-3-60	8.3	60.0	13.0	1.3	2.6	0.0	None	-	-	-	14.3	20	
							E07	6.8	1	8.2	14.3	20	
							E10	10.1	1	12.1	18.4	20	
							E15	13.6	2	16.4	23.7	25	
							E20	19.5	2	23.5	32.6	35	
							None	-	-	-	11.4	15	
575-3-60	6.7	40.0	10.5	1.3	2.0	0.0	None	-	-	-	11.4	15	
							E10	10.6	1	10.2	15.2	20	
							E15	15.9	1	15.3	21.6	25	
							E20	21.2	2	20.4	28.0	30	
							None	-	-	-	36.3	45	
							E05	4.0	1	19.2	36.3	45	

## ZR036-060 (Belt Drive High Static) (Continued)

Size (Tons)	Volt	Compressors (each)			OD Fan Motors (each)	Supply Blower Motor	Pwr Conv Outlet	Electric Heat Option				MCA <sup>1</sup> (Amps)	Max Fuse <sup>2</sup> / Breaker <sup>3</sup> Size (Amps)
		RLA	LRA	MCC	FLA	FLA	FLA	Model	kW	Stages	Amps		
060 (5.0)	208-3-60	17.6	123.0	27.5	2 3	8.2	0.0	None	-	-	-	32.5	40
								E05	4.0	1	11.1	32.5	40
								E07	5.6	1	15.5	32.5	40
								E10	8.0	1	22.2	38.0	50
								E15	11.9	2	33.0	51.5	60
								E20	15.9	2	44.1	65.4	70
	230-3-60	17.6	123.0	27.5	2 3	8.2	0.0	None	-	-	-	32.5	40
								E05	5.3	1	12.7	32.5	40
								E07	7.5	1	18.0	32.8	40
								E10	10.6	1	25.5	42.1	50
								E15	15.9	2	38.2	58.1	60
								E20	21.2	2	51.0	74.0	80
	460-3-60	9.6	70.0	15.0	1 3	4.1	0.0	None	-	-	-	17.4	25
								E07	6.8	1	8.2	17.4	25
								E10	10.1	1	12.1	20.3	25
								E15	13.6	2	16.4	25.6	30
								E20	19.5	2	23.5	34.4	35
								E30	28.8	2	34.6	48.4	50
	575-3-60	7.5	53.0	11.7	1 3	3.6	0.0	None	-	-	-	14.0	20
								E10	10.6	1	10.2	17.2	20
								E15	15.9	1	15.3	23.6	25
								E20	21.2	2	20.4	30.0	30
								E30	30.4	2	29.3	41.1	45

1. Minimum Circuit Ampacity.
2. Dual Element, Time Delay Type.
3. HACR type per NEC.

ZR036-060 (Direct Drive)

Size (Tons)	Volt	Compressors (each)			OD Fan Motors (each)	Supply Blower Motor	Pwr Conv Outlet	Electric Heat Option				MCA <sup>1</sup> (Amps)	Max Fuse <sup>2</sup> / Breaker <sup>3</sup> Size (Amps)
		RLA	LRA	MCC	FLA	FLA	FLA	Model	kW	Stages	Amps		
036 (3.0)	208-1-60	16.6	88.0	26.0	2.3	6.0	0.0	None	-	-	-	29.1	35
								E05	4.0	1	19.2	31.5	40
								E07	5.6	1	26.9	41.2	45
								E10	8.0	1	38.5	55.6	60
								E15	11.9	2	57.2	79.0	80
								E20	15.9	2	76.4	103.1	110
	230-1-60	16.6	88.0	26.0	2.3	6.0	0.0	None	-	-	-	29.1	35
								E05	5.3	1	22.1	35.1	45
								E07	7.5	1	31.3	46.6	50
								E10	10.6	1	44.2	62.7	70
								E15	15.9	2	66.3	90.3	100
								E20	21.2	2	88.3	117.9	125
	208-3-60	12.8	95.0	20.0	2.3	6.0	0.0	None	-	-	-	24.3	30
								E05	4.0	1	11.1	24.3	30
								E07	5.6	1	15.5	26.9	35
								E10	8.0	1	22.2	35.3	40
								E15	11.9	2	33.0	48.8	50
								E20	15.9	2	44.1	62.7	70
	230-3-60	12.8	95.0	20.0	2.3	6.0	0.0	None	-	-	-	24.3	30
								E05	5.3	1	12.7	24.3	30
E07								7.5	1	18.0	30.1	35	
E10								10.6	1	25.5	39.4	40	
E15								15.9	2	38.2	55.3	60	
E20								21.2	2	51.0	71.2	80	
048 (4.0)	208-1-60	21.1	113.0	33.0	2.3	7.6	0.0	None	-	-	-	36.3	45
								E05	4.0	1	19.2	36.3	45
								E07	5.6	1	26.9	43.2	50
								E10	8.0	1	38.5	57.6	60
								E15	11.9	2	57.2	81.0	90
								E20	15.9	2	76.4	105.1	110
	230-1-60	21.1	113.0	33.0	2.3	7.6	0.0	None	-	-	-	36.3	45
								E05	5.3	1	22.1	37.1	45
								E07	7.5	1	31.3	48.6	50
								E10	10.6	1	44.2	64.7	70
								E15	15.9	2	66.3	92.3	100
								E20	21.2	2	88.3	119.9	125
	208-3-60	16.0	120.0	25.0	2.3	7.6	0.0	None	-	-	-	29.9	40
								E05	4.0	1	11.1	29.9	40
								E07	5.6	1	15.5	29.9	40
								E10	8.0	1	22.2	37.3	45
								E15	11.9	2	33.0	50.8	60
								E20	15.9	2	44.1	64.7	70
	230-3-60	16.0	120.0	25.0	2.3	7.6	0.0	None	-	-	-	29.9	40
								E05	5.3	1	12.7	29.9	40
E07								7.5	1	18.0	32.1	40	
E10								10.6	1	25.5	41.4	45	
E15								15.9	2	38.2	57.3	60	
E20								21.2	2	51.0	73.2	80	

## ZR036-060 (Direct Drive) (Continued)

Size (Tons)	Volt	Compressors (each)			OD Fan Motors (each)	Supply Blower Motor	Pwr Conv Outlet	Electric Heat Option				MCA <sup>1</sup> (Amps)	Max Fuse <sup>2</sup> / Breaker <sup>3</sup> Size (Amps)
		RLA	LRA	MCC	FLA	FLA	FLA	Model	kW	Stages	Amps		
060 (5.0)	208-1-60	28.8	145.0	45.0	2 3	7.6	0.0	None	-	-	-	45.9	60
								E05	4.0	1	19.2	45.9	60
								E07	5.6	1	26.9	45.9	60
								E10	8.0	1	38.5	57.6	70
								E15	11.9	2	57.2	81.0	90
								E20	15.9	2	76.4	105.1	110
	230-1-60	28.8	145.0	45.0	2 3	7.6	0.0	None	-	-	-	45.9	60
								E05	5.3	1	22.1	45.9	60
								E07	7.5	1	31.3	48.6	60
								E10	10.6	1	44.2	64.7	70
								E15	15.9	2	66.3	92.3	100
								E20	21.2	2	88.3	119.9	125
	208-3-60	17.6	123.0	27.5	2 3	7.6	0.0	None	-	-	-	31.9	40
								E05	4.0	1	11.1	31.9	40
								E07	5.6	1	15.5	31.9	40
								E10	8.0	1	22.2	37.3	45
								E15	11.9	2	33.0	50.8	60
								E20	15.9	2	44.1	64.7	70
	230-3-60	17.6	123.0	27.5	2 3	7.6	0.0	None	-	-	-	31.9	40
								E05	5.3	1	12.7	31.9	40
								E07	7.5	1	18.0	32.1	40
								E10	10.6	1	25.5	41.4	45
								E15	15.9	2	38.2	57.3	60
								E20	21.2	2	51.0	73.2	80
							E30	29.6	2	71.2	98.5	100	

1. Minimum Circuit Ampacity.
2. Dual Element, Time Delay Type.
3. HACR type per NEC.

**XP036-060 (Belt Drive)**

Size (Tons)	Volt	Compressors (each)			OD Fan Motors (each)	Supply Blower Motor	Pwr Conv Outlet	Electric Heat Option				MCA <sup>1</sup> (Amps)	Max Fuse <sup>2</sup> / Breaker <sup>3</sup> Size (Amps)
		RLA	LRA	MCC	FLA	FLA	FLA	Model	kW	Stages	Amps		
036 (3.0)	208-1-60	16.6	88.0	26.0	1.6	7.6	0.0	None	-	-	-	30.0	40
								E05	4.0	1	19.2	54.0	60
								E07	5.6	1	26.9	63.6	70
								E10	8.0	1	38.5	78.0	80
								E15	11.9	2	57.2	101.5	110
								E20	15.9	2	76.4	125.5	150
	230-1-60	16.6	88.0	26.0	1.6	7.6	0.0	None	-	-	-	30.0	40
								E05	5.3	1	22.1	57.6	60
								E07	7.5	1	31.3	69.0	70
								E10	10.6	1	44.2	85.2	90
								E15	15.9	2	66.3	112.8	125
								E20	21.2	2	88.3	140.4	150
	208-3-60	12.8	95.0	20.0	1.6	5.2	0.0	None	-	-	-	22.8	30
								E05	4.0	1	11.1	36.7	45
								E07	5.6	1	15.5	42.2	50
								E10	8.0	1	22.2	50.6	60
								E15	11.9	2	33.0	64.1	70
								E20	15.9	2	44.1	78.0	80
	230-3-60	12.8	95.0	20.0	1.6	5.2	0.0	None	-	-	-	22.8	30
								E05	5.3	1	12.7	38.7	45
								E07	7.5	1	18.0	45.4	50
								E10	10.6	1	25.5	54.7	60
								E15	15.9	2	38.2	70.6	80
								E20	21.2	2	51.0	86.5	90
460-3-60	6.4	45.0	10.0	0.8	2.6	0.0	None	-	-	-	11.4	15	
							E07	6.8	1	8.2	21.6	25	
							E10	10.1	1	12.1	26.6	30	
							E15	13.6	2	16.4	31.8	35	
							E20	19.5	2	23.5	40.7	45	
							None	-	-	-	9.2	15	
575-3-60	5.4	38.0	8.5	0.6	2.0	0.0	None	-	-	-	9.2	15	
							E10	10.6	1	10.2	22.0	25	
							E15	15.9	1	15.3	28.4	30	
							E20	21.2	2	20.4	34.7	35	
							None	-	-	-	36.3	45	
							None	-	-	-	36.3	45	
048 (4.0)	208-1-60	21.1	113.0	33.0	2.3	7.6	0.0	None	-	-	-	36.3	45
								E05	4.0	1	19.2	60.3	70
								E07	5.6	1	26.9	69.9	80
								E10	8.0	1	38.5	84.4	90
								E15	11.9	2	57.2	107.8	110
								E20	15.9	2	76.4	131.8	150
	230-1-60	21.1	113.0	33.0	2.3	7.6	0.0	None	-	-	-	36.3	45
								E05	5.3	1	22.1	63.9	70
								E07	7.5	1	31.3	75.3	80
								E10	10.6	1	44.2	91.5	100
								E15	15.9	2	66.3	119.1	125
								E20	21.2	2	88.3	146.7	150
	208-3-60	16.0	120.0	25.0	2.3	5.2	0.0	None	-	-	-	27.5	35
								E05	4.0	1	11.1	41.4	50
								E07	5.6	1	15.5	46.9	50
								E10	8.0	1	22.2	55.3	60
								E15	11.9	2	33.0	68.8	70
								E20	15.9	2	44.1	82.7	90
	230-3-60	16.0	120.0	25.0	2.3	5.2	0.0	None	-	-	-	27.5	35
								E05	5.3	1	12.7	43.4	50
								E07	7.5	1	18.0	50.1	60
								E10	10.6	1	25.5	59.4	60
								E15	15.9	2	38.2	75.3	80
								E20	21.2	2	51.0	91.2	100
460-3-60	8.3	60.0	13.0	1.3	2.6	0.0	None	-	-	-	14.3	20	
							E07	6.8	1	8.2	24.5	30	
							E10	10.1	1	12.1	29.5	30	
							E15	13.6	2	16.4	34.7	35	
							E20	19.5	2	23.5	43.6	45	
							None	-	-	-	11.4	15	
575-3-60	6.7	40.0	10.5	1.3	2.0	0.0	None	-	-	-	11.4	15	
							E10	10.6	1	10.2	24.2	25	
							E15	15.9	1	15.3	30.5	35	
							E20	21.2	2	20.4	36.9	40	
							None	-	-	-	36.9	40	
							None	-	-	-	36.9	40	

## XP036-060 (Belt Drive) (Continued)

Size (Tons)	Volt	Compressors (each)			OD Fan Motors (each)	Supply Blower Motor	Pwr Conv Outlet	Electric Heat Option				MCA <sup>1</sup> (Amps)	Max Fuse <sup>2</sup> / Breaker <sup>3</sup> Size (Amps)	
		RLA	LRA	MCC	FLA	FLA	FLA	Model	kW	Stages	Amps			
060 (5.0)	208-1-60	26.2	134.0	41.0	2	3	7.6	0.0	None	-	-	-	42.7	60
									E05	4.0	1	19.2	66.7	80
									E07	5.6	1	26.9	76.3	90
									E10	8.0	1	38.5	90.7	100
									E15	11.9	2	57.2	114.2	125
									E20	15.9	2	76.4	138.2	150
	230-1-60	26.2	134.0	41.0	2	3	7.6	0.0	None	-	-	-	42.7	60
									E05	5.3	1	22.1	70.3	90
									E07	7.5	1	31.3	81.7	100
									E10	10.6	1	44.2	97.9	110
									E15	15.9	2	66.3	125.5	150
									E20	21.2	2	88.3	153.1	175
	208-3-60	15.6	110.0	24.4	2	3	5.2	0.0	None	-	-	-	27.0	35
									E05	4.0	1	11.1	40.9	50
									E07	5.6	1	15.5	46.4	50
									E10	8.0	1	22.2	54.8	60
									E15	11.9	2	33.0	68.3	70
									E20	15.9	2	44.1	82.2	90
	230-3-60	15.6	110.0	24.4	2	3	5.2	0.0	None	-	-	-	27.0	35
									E05	5.3	1	12.7	42.9	50
									E07	7.5	1	18.0	49.6	60
									E10	10.6	1	25.5	58.9	60
									E15	15.9	2	38.2	74.8	80
									E20	21.2	2	51.0	90.7	100
460-3-60	7.7	52.0	12.1	1	3	2.6	0.0	None	-	-	-	13.5	20	
								E07	6.8	1	8.2	23.7	25	
								E10	10.1	1	12.1	28.7	30	
								E15	13.6	2	16.4	34.0	35	
								E20	19.5	2	23.5	42.8	45	
								E30	28.8	2	34.6	56.8	60	
575-3-60	5.8	38.9	9.1	1	3	2.0	0.0	None	-	-	-	10.3	15	
								E10	10.6	1	10.2	23.0	25	
								E15	15.9	1	15.3	29.4	30	
								E20	21.2	2	20.4	35.8	40	
								E30	30.4	2	29.3	46.9	50	

1. Minimum Circuit Ampacity.
2. Dual Element, Time Delay Type.
3. HACR type per NEC.

**XP036-060 (Belt Drive High Static)**

Size (Tons)	Volt	Compressors (each)			OD Fan Motors (each)	Supply Blower Motor	Pwr Conv Outlet	Electric Heat Option				MCA <sup>1</sup> (Amps)	Max Fuse <sup>2</sup> / Breaker <sup>3</sup> Size (Amps)
		RLA	LRA	MCC	FLA	FLA	FLA	Model	kW	Stages	Amps		
036 (3.0)	208-1-60	16.6	88.0	26.0	1.6	7.6	0.0	None	-	-	-	30.0	40
								E05	4.0	1	19.2	54.0	60
								E07	5.6	1	26.9	63.6	70
								E10	8.0	1	38.5	78.0	80
								E15	11.9	2	57.2	101.5	110
								E20	15.9	2	76.4	125.5	150
	230-1-60	16.6	88.0	26.0	1.6	7.6	0.0	None	-	-	-	30.0	40
								E05	5.3	1	22.1	57.6	60
								E07	7.5	1	31.3	69.0	70
								E10	10.6	1	44.2	85.2	90
								E15	15.9	2	66.3	112.8	125
								E20	21.2	2	88.3	140.4	150
	208-3-60	12.8	95.0	20.0	1.6	5.2	0.0	None	-	-	-	22.8	30
								E05	4.0	1	11.1	36.7	45
								E07	5.6	1	15.5	42.2	50
								E10	8.0	1	22.2	50.6	60
								E15	11.9	2	33.0	64.1	70
								E20	15.9	2	44.1	78.0	80
	230-3-60	12.8	95.0	20.0	1.6	5.2	0.0	None	-	-	-	22.8	30
								E05	5.3	1	12.7	38.7	45
								E07	7.5	1	18.0	45.4	50
								E10	10.6	1	25.5	54.7	60
								E15	15.9	2	38.2	70.6	80
								E20	21.2	2	51.0	86.5	90
460-3-60	6.4	45.0	10.0	0.8	2.6	0.0	None	-	-	-	11.4	15	
							E07	6.8	1	8.2	21.6	25	
							E10	10.1	1	12.1	26.6	30	
							E15	13.6	2	16.4	31.8	35	
							E20	19.5	2	23.5	40.7	45	
							None	-	-	-	9.2	15	
575-3-60	5.4	38.0	8.5	0.6	2.0	0.0	None	-	-	-	9.2	15	
							E10	10.6	1	10.2	22.0	25	
							E15	15.9	1	15.3	28.4	30	
							E20	21.2	2	20.4	34.7	35	
							None	-	-	-	36.3	45	
							None	-	-	-	36.3	45	
048 (4.0)	208-1-60	21.1	113.0	33.0	2.3	7.6	0.0	None	-	-	-	36.3	45
								E05	4.0	1	19.2	60.3	70
								E07	5.6	1	26.9	69.9	80
								E10	8.0	1	38.5	84.4	90
								E15	11.9	2	57.2	107.8	110
								E20	15.9	2	76.4	131.8	150
	230-1-60	21.1	113.0	33.0	2.3	7.6	0.0	None	-	-	-	36.3	45
								E05	5.3	1	22.1	63.9	70
								E07	7.5	1	31.3	75.3	80
								E10	10.6	1	44.2	91.5	100
								E15	15.9	2	66.3	119.1	125
								E20	21.2	2	88.3	146.7	150
	208-3-60	16.0	120.0	25.0	2.3	5.2	0.0	None	-	-	-	27.5	35
								E05	4.0	1	11.1	41.4	50
								E07	5.6	1	15.5	46.9	50
								E10	8.0	1	22.2	55.3	60
								E15	11.9	2	33.0	68.8	70
								E20	15.9	2	44.1	82.7	90
	230-3-60	16.0	120.0	25.0	2.3	5.2	0.0	None	-	-	-	27.5	35
								E05	5.3	1	12.7	43.4	50
								E07	7.5	1	18.0	50.1	60
								E10	10.6	1	25.5	59.4	60
								E15	15.9	2	38.2	75.3	80
								E20	21.2	2	51.0	91.2	100
460-3-60	8.3	60.0	13.0	1.3	2.6	0.0	None	-	-	-	14.3	20	
							E07	6.8	1	8.2	24.5	30	
							E10	10.1	1	12.1	29.5	30	
							E15	13.6	2	16.4	34.7	35	
							E20	19.5	2	23.5	43.6	45	
							None	-	-	-	11.4	15	
575-3-60	6.7	40.0	10.5	1.3	2.0	0.0	None	-	-	-	11.4	15	
							E10	10.6	1	10.2	24.2	25	
							E15	15.9	1	15.3	30.5	35	
							E20	21.2	2	20.4	36.9	40	
							None	-	-	-	11.4	15	
							None	-	-	-	11.4	15	



## XP036-060 (Belt Drive High Static) (Continued)

Size (Tons)	Volt	Compressors (each)			OD Fan Motors (each)	Supply Blower Motor	Pwr Conv Outlet	Electric Heat Option				MCA <sup>1</sup> (Amps)	Max Fuse <sup>2</sup> / Breaker <sup>3</sup> Size (Amps)
		RLA	LRA	MCC	FLA	FLA	FLA	Model	kW	Stages	Amps		
060 (5.0)	208-3-60	15.6	110.0	24.4	2 3	8.2	0.0	None	-	-	-	30.0	40
								E05	4.0	1	11.1	43.9	50
								E07	5.6	1	15.5	49.4	60
								E10	8.0	1	22.2	57.8	60
								E15	11.9	2	33.0	71.3	80
								E20	15.9	2	44.1	85.2	90
	230-3-60	15.6	110.0	24.4	2 3	8.2	0.0	None	-	-	-	30.0	40
								E05	5.3	1	12.7	45.9	50
								E07	7.5	1	18.0	52.6	60
								E10	10.6	1	25.5	61.9	70
								E15	15.9	2	38.2	77.8	80
								E20	21.2	2	51.0	93.7	100
	460-3-60	7.7	52.0	12.1	1 3	4.1	0.0	None	-	-	-	15.0	20
								E07	6.8	1	8.2	25.2	30
								E10	10.1	1	12.1	30.2	35
								E15	13.6	2	16.4	35.5	40
								E20	19.5	2	23.5	44.3	45
								E30	28.8	2	34.6	58.3	60
	575-3-60	5.8	38.9	9.1	1.3	3.6	0.0	None	-	-	-	11.9	15
								E10	10.6	1	10.2	24.6	25
E15								15.9	1	15.3	31.0	35	
E20								21.2	2	20.4	37.4	40	
E30								30.4	2	29.3	48.5	50	

1. Minimum Circuit Ampacity.
2. Dual Element, Time Delay Type.
3. HACR type per NEC.

**XP036-060 (Direct Drive)**

Size (Tons)	Volt	Compressors (each)			OD Fan Motors (each)	Supply Blower Motor	Pwr Conv Outlet	Electric Heat Option				MCA <sup>1</sup> (Amps)	Max Fuse <sup>2</sup> / Breaker <sup>3</sup> Size (Amps)
		RLA	LRA	MCC	FLA	FLA	FLA	Model	kW	Stages	Amps		
036 (3.0)	208-1-60	16.6	88.0	26.0	1.6	6.0	0.0	None	-	-	-	28.4	35
								E05	4.0	1	19.2	52.4	60
								E07	5.6	1	26.9	62.0	70
								E10	8.0	1	38.5	76.4	80
								E15	11.9	2	57.2	99.9	100
								E20	15.9	2	76.4	123.9	125
	230-1-60	16.6	88.0	26.0	1.6	6.0	0.0	None	-	-	-	28.4	35
								E05	5.3	1	22.1	56.0	60
								E07	7.5	1	31.3	67.4	70
								E10	10.6	1	44.2	83.6	90
								E15	15.9	2	66.3	111.2	125
								E20	21.2	2	88.3	138.8	150
	208-3-60	12.8	95.0	20.0	1.6	6.0	0.0	None	-	-	-	23.6	30
								E05	4.0	1	11.1	37.5	45
								E07	5.6	1	15.5	43.0	50
								E10	8.0	1	22.2	51.4	60
								E15	11.9	2	33.0	64.9	70
								E20	15.9	2	44.1	78.8	80
	230-3-60	12.8	95.0	20.0	1.6	6.0	0.0	None	-	-	-	23.6	30
								E05	5.3	1	12.7	39.5	45
								E07	7.5	1	18.0	46.2	50
								E10	10.6	1	25.5	55.5	60
								E15	15.9	2	38.2	71.4	80
								E20	21.2	2	51.0	87.3	90
048 (4.0)	208-1-60	21.1	113.0	33.0	2.3	7.6	0.0	None	-	-	-	36.3	45
								E05	4.0	1	19.2	60.3	70
								E07	5.6	1	26.9	69.9	80
								E10	8.0	1	38.5	84.4	90
								E15	11.9	2	57.2	107.8	110
								E20	15.9	2	76.4	131.8	150
	230-1-60	21.1	113.0	33.0	2.3	7.6	0.0	None	-	-	-	36.3	45
								E05	5.3	1	22.1	63.9	70
								E07	7.5	1	31.3	75.3	80
								E10	10.6	1	44.2	91.5	100
								E15	15.9	2	66.3	119.1	125
								E20	21.2	2	88.3	146.7	150
	208-3-60	16.0	120.0	25.0	2.3	7.6	0.0	None	-	-	-	29.9	40
								E05	4.0	1	11.1	43.8	50
								E07	5.6	1	15.5	49.3	60
								E10	8.0	1	22.2	57.7	60
								E15	11.9	2	33.0	71.2	80
								E20	15.9	2	44.1	85.1	90
	230-3-60	16.0	120.0	25.0	2.3	7.6	0.0	None	-	-	-	29.9	40
								E05	5.3	1	12.7	45.8	50
								E07	7.5	1	18.0	52.5	60
								E10	10.6	1	25.5	61.8	70
								E15	15.9	2	38.2	77.7	80
								E20	21.2	2	51.0	93.6	100

## XP036-060 (Direct Drive) (Continued)

Size (Tons)	Volt	Compressors (each)			OD Fan Motors (each)	Supply Blower Motor	Pwr Conv Outlet	Electric Heat Option				MCA <sup>1</sup> (Amps)	Max Fuse <sup>2</sup> / Breaker <sup>3</sup> Size (Amps)	
		RLA	LRA	MCC	FLA	FLA	FLA	Model	kW	Stages	Amps			
060 (5.0)	208-1-60	26.2	134.0	41.0	2	3	7.6	0.0	None	-	-	-	42.7	60
									E05	4.0	1	19.2	66.7	80
									E07	5.6	1	26.9	76.3	90
									E10	8.0	1	38.5	90.7	100
									E15	11.9	2	57.2	114.2	125
									E20	15.9	2	76.4	138.2	150
	230-1-60	26.2	134.0	41.0	2	3	7.6	0.0	None	-	-	-	42.7	60
									E05	5.3	1	22.1	70.3	90
									E07	7.5	1	31.3	81.7	100
									E10	10.6	1	44.2	97.9	110
									E15	15.9	2	66.3	125.5	150
									E20	21.2	2	88.3	153.1	175
	208-3-60	15.6	110.0	24.4	2	3	7.6	0.0	None	-	-	-	29.4	40
									E05	4.0	1	11.1	43.3	50
									E07	5.6	1	15.5	48.8	60
									E10	8.0	1	22.2	57.2	60
									E15	11.9	2	33.0	70.7	80
									E20	15.9	2	44.1	84.6	90
	230-3-60	15.6	110.0	24.4	2	3	7.6	0.0	None	-	-	-	29.4	40
									E05	5.3	1	12.7	45.3	50
									E07	7.5	1	18.0	52.0	60
									E10	10.6	1	25.5	61.3	70
									E15	15.9	2	38.2	77.2	80
									E20	21.2	2	51.0	93.1	100
								E30	29.6	2	71.2	118.4	125	

1. Minimum Circuit Ampacity.
2. Dual Element, Time Delay Type.
3. HACR type per NEC.

**With Powered Convenience Outlet**

**ZF036-060 (Belt Drive)**

Size (Tons)	Volt	Compressors (each)			OD Fan Motors (each)	Supply Blower Motor	Pwr Conv Outlet	Electric Heat Option				MCA <sup>1</sup> (Amps)	Max Fuse <sup>2</sup> / Breaker <sup>3</sup> Size (Amps)
		RLA	LRA	MCC	FLA	FLA	FLA	Model	kW	Stages	Amps		
036 (3.0)	208-1-60	14.7	74.0	23.0	2.3	7.6	10.0	None	-	-	-	38.3	50
								E05	4.0	1	19.2	46.0	50
								E07	5.6	1	26.9	55.7	60
								E10	8.0	1	38.5	70.1	80
								E15	11.9	2	57.2	93.5	100
								E20	15.9	2	76.4	117.6	125
	230-1-60	14.7	74.0	23.0	2.3	7.6	10.0	None	-	-	-	38.3	50
								E05	5.3	1	22.1	49.6	50
								E07	7.5	1	31.3	61.1	70
								E10	10.6	1	44.2	77.2	80
								E15	15.9	2	66.3	104.8	110
								E20	21.2	2	88.3	132.4	150
	208-3-60	9.1	68.0	14.2	2.3	5.2	10.0	None	-	-	-	29.1	35
								E05	4.0	1	11.1	32.9	35
								E07	5.6	1	15.5	38.4	40
								E10	8.0	1	22.2	46.8	50
								E15	11.9	2	33.0	60.3	70
								E20	15.9	2	44.1	74.2	80
	230-3-60	9.1	68.0	14.2	2.3	5.2	10.0	None	-	-	-	29.1	35
								E05	5.3	1	12.7	34.9	40
								E07	7.5	1	18.0	41.6	45
								E10	10.6	1	25.5	50.9	60
								E15	15.9	2	38.2	66.8	70
								E20	21.2	2	51.0	82.7	90
460-3-60	4.5	34.0	7.0	1.3	2.6	5.0	None	-	-	-	14.6	15	
							E07	6.8	1	8.2	19.7	20	
							E10	10.1	1	12.1	24.7	25	
							E15	13.6	2	16.4	29.9	30	
							E20	19.5	2	23.5	38.8	40	
575-3-60	3.8	28.0	6.0	1.3	2.0	4.0	None	-	-	-	11.8	15	
							E10	10.6	1	10.2	20.2	25	
							E15	15.9	1	15.3	26.6	30	
							E20	21.2	2	20.4	33.0	35	
048 (4.0)	208-1-60	20.5	115.0	32.0	2.3	7.6	10.0	None	-	-	-	45.5	60
								E05	4.0	1	19.2	46.0	60
								E07	5.6	1	26.9	55.7	60
								E10	8.0	1	38.5	70.1	80
								E15	11.9	2	57.2	93.5	100
								E20	15.9	2	76.4	117.6	125
	230-1-60	20.5	115.0	32.0	2.3	7.6	10.0	None	-	-	-	45.5	60
								E05	5.3	1	22.1	49.6	60
								E07	7.5	1	31.3	61.1	70
								E10	10.6	1	44.2	77.2	80
								E15	15.9	2	66.3	104.8	110
								E20	21.2	2	88.3	132.4	150
	208-3-60	16.0	120.0	25.0	2.3	5.2	10.0	None	-	-	-	37.5	50
								E05	4.0	1	11.1	37.5	50
								E07	5.6	1	15.5	38.4	50
								E10	8.0	1	22.2	46.8	50
								E15	11.9	2	33.0	60.3	70
								E20	15.9	2	44.1	74.2	80
	230-3-60	16.0	120.0	25.0	2.3	5.2	10.0	None	-	-	-	37.5	50
								E05	5.3	1	12.7	37.5	50
								E07	7.5	1	18.0	41.6	50
								E10	10.6	1	25.5	50.9	60
								E15	15.9	2	38.2	66.8	70
								E20	21.2	2	51.0	82.7	90
460-3-60	7.7	50.0	12.0	1.3	2.6	5.0	None	-	-	-	18.5	25	
							E07	6.8	1	8.2	19.7	25	
							E10	10.1	1	12.1	24.7	25	
							E15	13.6	2	16.4	29.9	30	
							E20	19.5	2	23.5	38.8	40	
575-3-60	6.4	40.0	10.0	1.3	2.0	4.0	None	-	-	-	15.0	20	
							E10	10.6	1	10.2	20.2	25	
							E15	15.9	1	15.3	26.6	30	
							E20	21.2	2	20.4	33.0	35	

## ZF036-060 (Belt Drive) (Continued)

Size (Tons)	Volt	Compressors (each)			OD Fan Motors (each)	Supply Blower Motor	Pwr Conv Outlet	Electric Heat Option				MCA <sup>1</sup> (Amps)	Max Fuse <sup>2/</sup> Breaker <sup>3</sup> Size (Amps)
		RLA	LRA	MCC	FLA	FLA	FLA	Model	kW	Stages	Amps		
060 (5.0)	208-1-60	26.2	150.0	41.0	2 3	7.6	10.0	None	-	-	-	52.7	70
								E05	4.0	1	19.2	52.7	70
								E07	5.6	1	26.9	55.7	70
								E10	8.0	1	38.5	70.1	80
								E15	11.9	2	57.2	93.5	100
								E20	15.9	2	76.4	117.6	125
	230-1-60	26.2	150.0	41.0	2 3	7.6	10.0	None	-	-	-	52.7	70
								E05	5.3	1	22.1	52.7	70
								E07	7.5	1	31.3	61.1	70
								E10	10.6	1	44.2	77.2	80
								E15	15.9	2	66.3	104.8	110
								E20	21.2	2	88.3	132.4	150
	208-3-60	17.6	120.0	27.5	2 3	5.2	10.0	None	-	-	-	39.5	50
								E05	4.0	1	11.1	39.5	50
								E07	5.6	1	15.5	39.5	50
								E10	8.0	1	22.2	46.8	50
								E15	11.9	2	33.0	60.3	70
								E20	15.9	2	44.1	74.2	80
	230-3-60	17.6	120.0	27.5	2 3	5.2	10.0	None	-	-	-	39.5	50
								E05	5.3	1	12.7	39.5	50
								E07	7.5	1	18.0	41.6	50
								E10	10.6	1	25.5	50.9	60
								E15	15.9	2	38.2	66.8	70
								E20	21.2	2	51.0	82.7	90
	460-3-60	8.3	70.0	13.0	1.3	2.6	5.0	None	-	-	-	19.3	25
								E07	6.8	1	8.2	19.7	25
								E10	10.1	1	12.1	24.7	25
								E15	13.6	2	16.4	29.9	30
E20								19.5	2	23.5	38.8	40	
E30								28.8	2	34.6	52.8	60	
575-3-60	7.4	53.0	11.5	1.3	2.0	4.0	None	-	-	-	16.3	20	
							E10	10.6	1	10.2	20.2	25	
							E15	15.9	1	15.3	26.6	30	
							E20	21.2	2	20.4	33.0	35	
							E30	30.4	2	29.3	44.1	45	

1. Minimum Circuit Ampacity.
2. Dual Element, Time Delay Type.
3. HACR type per NEC.

**ZF072 (Belt Drive) Cooling With/Without Electric Heat**

Size (Tons)	Volt	Compressors (each)			OD Fan Motors (each)	Supply Blower Motor	Pwr Conv Outlet	Electric Heat Option				MCA <sup>1</sup> (Amps)	Max Fuse <sup>2</sup> / Breaker <sup>3</sup> Size (Amps)
		RLA	LRA	MCC	FLA	FLA	FLA	Model	kW	Stages	Amps		
072 (6.0)	208-3-60	19.0	123.0	29.7	5 3	5.2	10.0	None	-	-	-	44.3	60
								E05	4.0	1	11.1	44.3	60
								E07	5.6	1	15.5	44.3	60
								E10	8.0	1	22.2	46.8	60
								E15	11.9	2	33.0	60.3	70
								E20	15.9	2	44.1	74.2	80
	230-3-60	19.0	123.0	29.7	5 3	5.2	10.0	None	-	-	-	44.3	60
								E05	5.3	1	12.7	44.3	60
								E07	7.5	1	18.0	44.3	60
								E10	10.6	1	25.5	50.9	60
								E15	15.9	2	38.2	66.8	70
								E20	21.2	2	51.0	82.7	90
	460-3-60	9.7	62.0	15.2	5 3	2.6	5.0	None	-	-	-	22.4	30
								E07	6.8	1	8.2	22.4	30
								E10	10.1	1	12.1	24.7	30
								E15	13.6	2	16.4	29.9	30
								E20	19.5	2	23.5	38.8	40
								E30	28.8	2	34.6	52.8	60
	575-3-60	7.4	50.0	11.6	5 3	2.0	4.0	None	-	-	-	17.4	20
								E10	10.6	1	10.2	20.2	25
E15								15.9	1	15.3	26.6	30	
E20								21.2	2	20.4	33.0	35	
E30								30.4	2	29.3	44.1	45	

1. Minimum Circuit Ampacity.
2. Dual Element, Time Delay Type.
3. HACR type per NEC.

**ZF072 (Belt Drive) Cooling With Gas Heat**

Size (Tons)	Volt	Compressors (each)			OD Fan Motors (each)	Supply Blower Motor	Pwr Conv Outlet	MCA <sup>1</sup> (Amps)	Max Fuse <sup>2</sup> / Breaker <sup>3</sup> Size (Amps)
		RLA	LRA	MCC	FLA	FLA	FLA		
072 (6.0)	208-3-60	19.0	123.0	29.7	2 3	5.2	10.0	41.3	60.0
	230-3-60								
	460-3-60								
	575-3-60								

1. Minimum Circuit Ampacity.
2. Dual Element, Time Delay Type.
3. HACR type per NEC.

ZF036-060 (Belt Drive High Static)

Size (Tons)	Volt	Compressors (each)			OD Fan Motors (each)	Supply Blower Motor	Pwr Conv Outlet	Electric Heat Option				MCA <sup>1</sup> (Amps)	Max Fuse <sup>2/</sup> Breaker <sup>3</sup> Size (Amps)
		RLA	LRA	MCC	FLA	FLA	FLA	Model	kW	Stages	Amps		
036 (3.0)	208-1-60	14.7	74.0	23.0	2.3	7.6	10.0	None	-	-	-	38.3	50
								E05	4.0	1	19.2	46.0	50
								E07	5.6	1	26.9	55.7	60
								E10	8.0	1	38.5	70.1	80
								E15	11.9	2	57.2	93.5	100
								E20	15.9	2	76.4	117.6	125
	230-1-60	14.7	74.0	23.0	2.3	7.6	10.0	None	-	-	-	38.3	50
								E05	5.3	1	22.1	49.6	50
								E07	7.5	1	31.3	61.1	70
								E10	10.6	1	44.2	77.2	80
								E15	15.9	2	66.3	104.8	110
								E20	21.2	2	88.3	132.4	150
	208-3-60	9.1	68.0	14.2	2.3	5.2	10.0	None	-	-	-	29.1	35
								E05	4.0	1	11.1	32.9	35
								E07	5.6	1	15.5	38.4	40
								E10	8.0	1	22.2	46.8	50
								E15	11.9	2	33.0	60.3	70
								E20	15.9	2	44.1	74.2	80
	230-3-60	9.1	68.0	14.2	2.3	5.2	10.0	None	-	-	-	29.1	35
								E05	5.3	1	12.7	34.9	40
								E07	7.5	1	18.0	41.6	45
								E10	10.6	1	25.5	50.9	60
								E15	15.9	2	38.2	66.8	70
								E20	21.2	2	51.0	82.7	90
460-3-60	4.5	34.0	7.0	1.3	2.6	5.0	None	-	-	-	14.6	15	
							E07	6.8	1	8.2	19.7	20	
							E10	10.1	1	12.1	24.7	25	
							E15	13.6	2	16.4	29.9	30	
							E20	19.5	2	23.5	38.8	40	
575-3-60	3.8	28.0	6.0	1.3	2.0	4.0	None	-	-	-	11.8	15	
							E10	10.6	1	10.2	20.2	25	
							E15	15.9	1	15.3	26.6	30	
							E20	21.2	2	20.4	33.0	35	
048 (4.0)	208-1-60	20.5	115.0	32.0	2.3	7.6	10.0	None	-	-	-	45.5	60
								E05	4.0	1	19.2	46.0	60
								E07	5.6	1	26.9	55.7	60
								E10	8.0	1	38.5	70.1	80
								E15	11.9	2	57.2	93.5	100
								E20	15.9	2	76.4	117.6	125
	230-1-60	20.5	115.0	32.0	2.3	7.6	10.0	None	-	-	-	45.5	60
								E05	5.3	1	22.1	49.6	60
								E07	7.5	1	31.3	61.1	70
								E10	10.6	1	44.2	77.2	80
								E15	15.9	2	66.3	104.8	110
								E20	21.2	2	88.3	132.4	150
	208-3-60	16.0	120.0	25.0	2.3	5.2	10.0	None	-	-	-	37.5	50
								E05	4.0	1	11.1	37.5	50
								E07	5.6	1	15.5	38.4	50
								E10	8.0	1	22.2	46.8	50
								E15	11.9	2	33.0	60.3	70
								E20	15.9	2	44.1	74.2	80
	230-3-60	16.0	120.0	25.0	2.3	5.2	10.0	None	-	-	-	37.5	50
								E05	5.3	1	12.7	37.5	50
								E07	7.5	1	18.0	41.6	50
								E10	10.6	1	25.5	50.9	60
								E15	15.9	2	38.2	66.8	70
								E20	21.2	2	51.0	82.7	90
460-3-60	7.7	50.0	12.0	1.3	2.6	5.0	None	-	-	-	18.5	25	
							E07	6.8	1	8.2	19.7	25	
							E10	10.1	1	12.1	24.7	25	
							E15	13.6	2	16.4	29.9	30	
							E20	19.5	2	23.5	38.8	40	
575-3-60	6.4	40.0	10.0	1.3	2.0	4.0	None	-	-	-	15.0	20	
							E10	10.6	1	10.2	20.2	25	
							E15	15.9	1	15.3	26.6	30	
							E20	21.2	2	20.4	33.0	35	

ZF036-060 (Belt Drive High Static) (Continued)

Size (Tons)	Volt	Compressors (each)			OD Fan Motors (each)	Supply Blower Motor	Pwr Conv Outlet	Electric Heat Option				MCA <sup>1</sup> (Amps)	Max Fuse <sup>2/</sup> Breaker <sup>3</sup> Size (Amps)
		RLA	LRA	MCC	FLA	FLA	FLA	Model	kW	Stages	Amps		
060 (5.0)	208-3-60	17.6	120.0	27.5	2.3	8.2	10.0	None	-	-	-	42.5	60
								E05	4.0	1	11.1	42.5	60
								E07	5.6	1	15.5	42.5	60
								E10	8.0	1	22.2	50.5	60
								E15	11.9	2	33.0	64.0	70
								E20	15.9	2	44.1	77.9	80
	230-3-60	17.6	120.0	27.5	2.3	8.2	10.0	None	-	-	-	42.5	60
								E05	5.3	1	12.7	42.5	60
								E07	7.5	1	18.0	45.3	60
								E10	10.6	1	25.5	54.6	60
								E15	15.9	2	38.2	70.6	80
								E20	21.2	2	51.0	86.5	90
	460-3-60	8.3	70.0	13.0	1.3	4.1	5.0	None	-	-	-	20.8	25
								E07	6.8	1	8.2	21.6	25
								E10	10.1	1	12.1	26.6	30
								E15	13.6	2	16.4	31.8	35
								E20	19.5	2	23.5	40.7	45
								E30	28.8	2	34.6	54.7	60
	575-3-60	7.4	53.0	11.5	1.3	3.6	4.0	None	-	-	-	17.9	25
								E10	10.6	1	10.2	22.2	25
								E15	15.9	1	15.3	28.6	30
								E20	21.2	2	20.4	35.0	35
								E30	30.4	2	29.3	46.1	50

1. Minimum Circuit Ampacity.
2. Dual Element, Time Delay Type.
3. HACR type per NEC.



**ZF072 (Belt Drive High Static) Cooling With/Without Electric Heat**

Size (Tons)	Volt	Compressors (each)			OD Fan Motors (each)	Supply Blower Motor	Pwr Conv Outlet	Electric Heat Option				MCA <sup>1</sup> (Amps)	Max Fuse <sup>2</sup> / Breaker <sup>3</sup> Size (Amps)
		RLA	LRA	MCC	FLA	FLA	FLA	Model	kW	Stages	Amps		
072 (6.0)	208-3-60	19.0	123.0	29.7	5 3	10.9	10.0	None	-	-	-	50.0	60
								E05	4.0	1	11.1	50.0	60
								E07	5.6	1	15.5	50.0	60
								E10	8.0	1	22.2	53.9	60
								E15	11.9	2	33.0	67.4	70
								E20	15.9	2	44.1	81.3	90
	230-3-60	19.0	123.0	29.7	5 3	10.9	10.0	None	-	-	-	50.0	60
								E05	5.3	1	12.7	50.0	60
								E07	7.5	1	18.0	50.0	60
								E10	10.6	1	25.5	58.0	60
								E15	15.9	2	38.2	73.9	80
								E20	21.2	2	51.0	89.9	90
	460-3-60	9.7	62.0	15.2	5 3	5.3	5.0	None	-	-	-	25.1	30
								E07	6.8	1	8.2	25.1	30
								E10	10.1	1	12.1	28.1	30
								E15	13.6	2	16.4	33.3	35
								E20	19.5	2	23.5	42.2	45
								E30	28.8	2	34.6	56.2	60
	575-3-60	7.4	50.0	11.6	5 3	4.1	4.0	None	-	-	-	19.5	25
								E10	10.6	1	10.2	22.9	25
								E15	15.9	1	15.3	29.2	30
								E20	21.2	2	20.4	35.6	40
								E30	30.4	2	29.3	46.7	50

1. Minimum Circuit Ampacity.
2. Dual Element, Time Delay Type.
3. HACR type per NEC.

**ZF072 (Belt Drive High Static) Cooling With Gas Heat**

Size (Tons)	Volt	Compressors (each)			OD Fan Motors (each)	Supply Blower Motor	Pwr Conv Outlet	MCA <sup>1</sup> (Amps)	Max Fuse <sup>2</sup> / Breaker <sup>3</sup> Size (Amps)								
		RLA	LRA	MCC	FLA	FLA	FLA										
072 (6.0)	208-3-60	19.0	123.0	29.7	2 3	10.9	10.0	47.0	60.0								
	230-3-60																
	460-3-60									9.7	62.0	15.2	1 3	5.3	5.0	23.7	30.0
	575-3-60									7.4	50.0	11.6	1 3	4.1	4.0	18.4	25.0

1. Minimum Circuit Ampacity.
2. Dual Element, Time Delay Type.
3. HACR type per NEC.

ZF036-060 (Direct Drive)

Size (Tons)	Volt	Compressors (each)			OD Fan Motors (each)	Supply Blower Motor	Pwr Conv Outlet	Electric Heat Option				MCA <sup>1</sup> (Amps)	Max Fuse <sup>2/</sup> Breaker <sup>3</sup> Size (Amps)
		RLA	LRA	MCC	FLA	FLA	FLA	Model	kW	Stages	Amps		
036 (3.0)	208-1-60	14.7	74.0	23.0	2.3	6.0	10.0	None	-	-	-	36.7	45
								E05	4.0	1	19.2	44.0	50
								E07	5.6	1	26.9	53.7	60
								E10	8.0	1	38.5	68.1	70
								E15	11.9	2	57.2	91.5	100
								E20	15.9	2	76.4	115.6	125
	230-1-60	14.7	74.0	23.0	2.3	6.0	10.0	None	-	-	-	36.7	45
								E05	5.3	1	22.1	47.6	50
								E07	7.5	1	31.3	59.1	60
								E10	10.6	1	44.2	75.2	80
								E15	15.9	2	66.3	102.8	110
								E20	21.2	2	88.3	130.4	150
	208-3-60	9.1	68.0	14.2	2.3	6.0	10.0	None	-	-	-	29.9	35
								E05	4.0	1	11.1	33.9	35
								E07	5.6	1	15.5	39.4	40
								E10	8.0	1	22.2	47.8	50
								E15	11.9	2	33.0	61.3	70
								E20	15.9	2	44.1	75.2	80
	230-3-60	9.1	68.0	14.2	2.3	6.0	10.0	None	-	-	-	29.9	35
								E05	5.3	1	12.7	35.9	40
E07								7.5	1	18.0	42.6	45	
E10								10.6	1	25.5	51.9	60	
E15								15.9	2	38.2	67.8	70	
E20								21.2	2	51.0	83.7	90	
048 (4.0)	208-1-60	20.5	115.0	32.0	2.3	7.6	10.0	None	-	-	-	45.5	60
								E05	4.0	1	19.2	46.0	60
								E07	5.6	1	26.9	55.7	60
								E10	8.0	1	38.5	70.1	80
								E15	11.9	2	57.2	93.5	100
								E20	15.9	2	76.4	117.6	125
	230-1-60	20.5	115.0	32.0	2.3	7.6	10.0	None	-	-	-	45.5	60
								E05	5.3	1	22.1	49.6	60
								E07	7.5	1	31.3	61.1	70
								E10	10.6	1	44.2	77.2	80
								E15	15.9	2	66.3	104.8	110
								E20	21.2	2	88.3	132.4	150
	208-3-60	16.0	120.0	25.0	2.3	7.6	10.0	None	-	-	-	39.9	50
								E05	4.0	1	11.1	39.9	50
								E07	5.6	1	15.5	41.4	50
								E10	8.0	1	22.2	49.8	50
								E15	11.9	2	33.0	63.3	70
								E20	15.9	2	44.1	77.2	80
	230-3-60	16.0	120.0	25.0	2.3	7.6	10.0	None	-	-	-	39.9	50
								E05	5.3	1	12.7	39.9	50
E07								7.5	1	18.0	44.6	50	
E10								10.6	1	25.5	53.9	60	
E15								15.9	2	38.2	69.8	70	
E20								21.2	2	51.0	85.7	90	

## ZF036-060 (Direct Drive) (Continued)

Size (Tons)	Volt	Compressors (each)			OD Fan Motors (each)	Supply Blower Motor	Pwr Conv Outlet	Electric Heat Option				MCA <sup>1</sup> (Amps)	Max Fuse <sup>2/</sup> Breaker <sup>3</sup> Size (Amps)
		RLA	LRA	MCC	FLA	FLA	FLA	Model	kW	Stages	Amps		
060 (5.0)	208-1-60	26.2	150.0	41.0	2 3	7.6	10.0	None	-	-	-	52.7	70
								E05	4.0	1	19.2	52.7	70
								E07	5.6	1	26.9	55.7	70
								E10	8.0	1	38.5	70.1	80
								E15	11.9	2	57.2	93.5	100
								E20	15.9	2	76.4	117.6	125
	230-1-60	26.2	150.0	41.0	2 3	7.6	10.0	None	-	-	-	52.7	70
								E05	5.3	1	22.1	52.7	70
								E07	7.5	1	31.3	61.1	70
								E10	10.6	1	44.2	77.2	80
								E15	15.9	2	66.3	104.8	110
								E20	21.2	2	88.3	132.4	150
	208-3-60	17.6	120.0	27.5	2 3	7.6	10.0	None	-	-	-	41.9	50
								E05	4.0	1	11.1	41.9	50
								E07	5.6	1	15.5	41.9	50
								E10	8.0	1	22.2	49.8	50
								E15	11.9	2	33.0	63.3	70
								E20	15.9	2	44.1	77.2	80
	230-3-60	17.6	120.0	27.5	2 3	7.6	10.0	None	-	-	-	41.9	50
								E05	5.3	1	12.7	41.9	50
								E07	7.5	1	18.0	44.6	50
								E10	10.6	1	25.5	53.9	60
								E15	15.9	2	38.2	69.8	70
								E20	21.2	2	51.0	85.7	90
E30	29.6	2	71.2	111.0	125								

1. Minimum Circuit Ampacity.
2. Dual Element, Time Delay Type.
3. HACR type per NEC.

**ZF072 (Direct Drive) Cooling With/Without Electric Heat**

Size (Tons)	Volt	Compressors (each)			OD Fan Motors (each)	Supply Blower Motor	Pwr Conv Outlet	Electric Heat Option				MCA <sup>1</sup> (Amps)	Max Fuse <sup>2</sup> / Breaker <sup>3</sup> Size (Amps)
		RLA	LRA	MCC	FLA	FLA	FLA	Model	kW	Stages	Amps		
072 (6.0)	208-3-60	19.0	123.0	29.7	5 3	7.6	10.0	None	-	-	-	46.7	60
								E05	4.0	1	11.1	46.7	60
								E07	5.6	1	15.5	46.7	60
								E10	8.0	1	22.2	49.8	60
								E15	11.9	2	33.0	63.3	70
								E20	15.9	2	44.1	77.2	80
								E30	22.2	2	61.6	99.0	100
	230-3-60	19.0	123.0	29.7	5 3	7.6	10.0	None	-	-	-	46.7	60
								E05	5.3	1	12.7	46.7	60
								E07	7.5	1	18.0	46.7	60
								E10	10.6	1	25.5	53.9	60
								E15	15.9	2	38.2	69.8	70
								E20	21.2	2	51.0	85.7	90
								E30	29.6	2	71.2	111.0	125

1. Minimum Circuit Ampacity.
2. Dual Element, Time Delay Type.
3. HACR type per NEC.

**ZF072 (Direct Drive) Cooling With Gas Heat**

Size (Tons)	Volt	Compressors (each)			OD Fan Motors (each)	Supply Blower Motor	Pwr Conv Outlet	MCA <sup>1</sup> (Amps)	Max Fuse <sup>2</sup> / Breaker <sup>3</sup> Size (Amps)
		RLA	LRA	MCC	FLA	FLA	FLA		
072 (6.0)	208-3-60	19.0	123.0	29.7	2 3	7.6	10.0	43.7	60.0
	230-3-60								

1. Minimum Circuit Ampacity.
2. Dual Element, Time Delay Type.
3. HACR type per NEC.

ZR036-060 (Belt Drive)

Size (Tons)	Volt	Compressors (each)			OD Fan Motors (each)	Supply Blower Motor	Pwr Conv Outlet	Electric Heat Option				MCA <sup>1</sup> (Amps)	Max Fuse <sup>2/</sup> Breaker <sup>3</sup> Size (Amps)
		RLA	LRA	MCC	FLA	FLA	FLA	Model	kW	Stages	Amps		
036 (3.0)	208-1-60	16.6	88.0	26.0	2.3	7.6	10.0	None	-	-	-	40.7	50
								E05	4.0	1	19.2	46.0	50
								E07	5.6	1	26.9	55.7	60
								E10	8.0	1	38.5	70.1	80
								E15	11.9	2	57.2	93.5	100
								E20	15.9	2	76.4	117.6	125
	230-1-60	16.6	88.0	26.0	2.3	7.6	10.0	None	-	-	-	40.7	50
								E05	5.3	1	22.1	49.6	50
								E07	7.5	1	31.3	61.1	70
								E10	10.6	1	44.2	77.2	80
								E15	15.9	2	66.3	104.8	110
								E20	21.2	2	88.3	132.4	150
	208-3-60	12.8	95.0	20.0	2.3	5.2	10.0	None	-	-	-	33.5	45
								E05	4.0	1	11.1	33.5	45
								E07	5.6	1	15.5	38.4	45
								E10	8.0	1	22.2	46.8	50
								E15	11.9	2	33.0	60.3	70
								E20	15.9	2	44.1	74.2	80
	230-3-60	12.8	95.0	20.0	2.3	5.2	10.0	None	-	-	-	33.5	45
								E05	5.3	1	12.7	34.9	45
								E07	7.5	1	18.0	41.6	45
								E10	10.6	1	25.5	50.9	60
								E15	15.9	2	38.2	66.8	70
								E20	21.2	2	51.0	82.7	90
460-3-60	6.4	45.0	10.0	1.3	2.6	5.0	None	-	-	-	16.9	20	
							E07	6.8	1	8.2	19.7	20	
							E10	10.1	1	12.1	24.7	25	
							E15	13.6	2	16.4	29.9	30	
							E20	19.5	2	23.5	38.8	40	
575-3-60	5.4	38.0	8.5	1.3	2.0	4.0	None	-	-	-	13.8	15	
							E10	10.6	1	10.2	20.2	25	
							E15	15.9	1	15.3	26.6	30	
							E20	21.2	2	20.4	33.0	35	
048 (4.0)	208-1-60	21.1	113.0	33.0	2.3	7.6	10.0	None	-	-	-	46.3	60
								E05	4.0	1	19.2	46.3	60
								E07	5.6	1	26.9	55.7	60
								E10	8.0	1	38.5	70.1	80
								E15	11.9	2	57.2	93.5	100
								E20	15.9	2	76.4	117.6	125
	230-1-60	21.1	113.0	33.0	2.3	7.6	10.0	None	-	-	-	46.3	60
								E05	5.3	1	22.1	49.6	60
								E07	7.5	1	31.3	61.1	70
								E10	10.6	1	44.2	77.2	80
								E15	15.9	2	66.3	104.8	110
								E20	21.2	2	88.3	132.4	150
	208-3-60	16.0	120.0	25.0	2.3	5.2	10.0	None	-	-	-	37.5	50
								E05	4.0	1	11.1	37.5	50
								E07	5.6	1	15.5	38.4	50
								E10	8.0	1	22.2	46.8	50
								E15	11.9	2	33.0	60.3	70
								E20	15.9	2	44.1	74.2	80
	230-3-60	16.0	120.0	25.0	2.3	5.2	10.0	None	-	-	-	37.5	50
								E05	5.3	1	12.7	37.5	50
								E07	7.5	1	18.0	41.6	50
								E10	10.6	1	25.5	50.9	60
								E15	15.9	2	38.2	66.8	70
								E20	21.2	2	51.0	82.7	90
460-3-60	8.3	60.0	13.0	1.3	2.6	5.0	None	-	-	-	19.3	25	
							E07	6.8	1	8.2	19.7	25	
							E10	10.1	1	12.1	24.7	25	
							E15	13.6	2	16.4	29.9	30	
575-3-60	6.7	40.0	10.5	1.3	2.0	4.0	None	-	-	-	15.4	20	
							E10	10.6	1	10.2	20.2	25	
							E15	15.9	1	15.3	26.6	30	
							E20	21.2	2	20.4	33.0	35	

ZR036-060 (Belt Drive) (Continued)

Size (Tons)	Volt	Compressors (each)			OD Fan Motors (each)	Supply Blower Motor	Pwr Conv Outlet	Electric Heat Option				MCA <sup>1</sup> (Amps)	Max Fuse <sup>2/</sup> Breaker <sup>3</sup> Size (Amps)
		RLA	LRA	MCC	FLA	FLA	FLA	Model	kW	Stages	Amps		
060 (5.0)	208-1-60	28.8	145.0	45.0	2 3	7.6	10.0	None	-	-	-	55.9	70
								E05	4.0	1	19.2	55.9	70
								E07	5.6	1	26.9	55.9	70
								E10	8.0	1	38.5	70.1	80
								E15	11.9	2	57.2	93.5	100
								E20	15.9	2	76.4	117.6	125
	230-1-60	28.8	145.0	45.0	2 3	7.6	10.0	None	-	-	-	55.9	70
								E05	5.3	1	22.1	55.9	70
								E07	7.5	1	31.3	61.1	80
								E10	10.6	1	44.2	77.2	80
								E15	15.9	2	66.3	104.8	110
								E20	21.2	2	88.3	132.4	150
	208-3-60	17.6	123.0	27.5	2 3	5.2	10.0	None	-	-	-	39.5	50
								E05	4.0	1	11.1	39.5	50
								E07	5.6	1	15.5	39.5	50
								E10	8.0	1	22.2	46.8	50
								E15	11.9	2	33.0	60.3	70
								E20	15.9	2	44.1	74.2	80
	230-3-60	17.6	123.0	27.5	2 3	5.2	10.0	None	-	-	-	39.5	50
								E05	5.3	1	12.7	39.5	50
								E07	7.5	1	18.0	41.6	50
								E10	10.6	1	25.5	50.9	60
								E15	15.9	2	38.2	66.8	70
								E20	21.2	2	51.0	82.7	90
460-3-60	9.6	70.0	15.0	1.3	2.6	5.0	None	-	-	-	20.9	30	
							E07	6.8	1	8.2	20.9	30	
							E10	10.1	1	12.1	24.7	30	
							E15	13.6	2	16.4	29.9	30	
							E20	19.5	2	23.5	38.8	40	
							E30	28.8	2	34.6	52.8	60	
575-3-60	7.5	53.0	11.7	1.3	2.0	4.0	None	-	-	-	16.4	20	
							E10	10.6	1	10.2	20.2	25	
							E15	15.9	1	15.3	26.6	30	
							E20	21.2	2	20.4	33.0	35	
							E30	30.4	2	29.3	44.1	45	

1. Minimum Circuit Ampacity.
2. Dual Element, Time Delay Type.
3. HACR type per NEC.

ZR036-060 (Belt Drive High Static)

Size (Tons)	Volt	Compressors (each)			OD Fan Motors (each)	Supply Blower Motor	Pwr Conv Outlet	Electric Heat Option				MCA <sup>1</sup> (Amps)	Max Fuse <sup>2/</sup> Breaker <sup>3</sup> Size (Amps)
		RLA	LRA	MCC	FLA	FLA	FLA	Model	kW	Stages	Amps		
036 (3.0)	208-1-60	16.6	88.0	26.0	2.3	7.6	10.0	None	-	-	-	40.7	50
								E05	4.0	1	19.2	46.0	50
								E07	5.6	1	26.9	55.7	60
								E10	8.0	1	38.5	70.1	80
								E15	11.9	2	57.2	93.5	100
								E20	15.9	2	76.4	117.6	125
	230-1-60	16.6	88.0	26.0	2.3	7.6	10.0	None	-	-	-	40.7	50
								E05	5.3	1	22.1	49.6	50
								E07	7.5	1	31.3	61.1	70
								E10	10.6	1	44.2	77.2	80
								E15	15.9	2	66.3	104.8	110
								E20	21.2	2	88.3	132.4	150
	208-3-60	12.8	95.0	20.0	2.3	5.2	10.0	None	-	-	-	33.5	45
								E05	4.0	1	11.1	33.5	45
								E07	5.6	1	15.5	38.4	45
								E10	8.0	1	22.2	46.8	50
								E15	11.9	2	33.0	60.3	70
								E20	15.9	2	44.1	74.2	80
	230-3-60	12.8	95.0	20.0	2.3	5.2	10.0	None	-	-	-	33.5	45
								E05	5.3	1	12.7	34.9	45
								E07	7.5	1	18.0	41.6	45
								E10	10.6	1	25.5	50.9	60
								E15	15.9	2	38.2	66.8	70
								E20	21.2	2	51.0	82.7	90
460-3-60	6.4	45.0	10.0	1.3	2.6	5.0	None	-	-	-	16.9	20	
							E07	6.8	1	8.2	19.7	20	
							E10	10.1	1	12.1	24.7	25	
							E15	13.6	2	16.4	29.9	30	
575-3-60	5.4	38.0	8.5	1.3	2.0	4.0	E20	19.5	2	23.5	38.8	40	
							None	-	-	-	13.8	15	
							E10	10.6	1	10.2	20.2	25	
							E15	15.9	1	15.3	26.6	30	
048 (4.0)	208-1-60	21.1	113.0	33.0	2.3	7.6	10.0	None	-	-	-	46.3	60
								E05	4.0	1	19.2	46.3	60
								E07	5.6	1	26.9	55.7	60
								E10	8.0	1	38.5	70.1	80
								E15	11.9	2	57.2	93.5	100
								E20	15.9	2	76.4	117.6	125
	230-1-60	21.1	113.0	33.0	2.3	7.6	10.0	None	-	-	-	46.3	60
								E05	5.3	1	22.1	49.6	60
								E07	7.5	1	31.3	61.1	70
								E10	10.6	1	44.2	77.2	80
								E15	15.9	2	66.3	104.8	110
								E20	21.2	2	88.3	132.4	150
	208-3-60	16.0	120.0	25.0	2.3	5.2	10.0	None	-	-	-	37.5	50
								E05	4.0	1	11.1	37.5	50
								E07	5.6	1	15.5	38.4	50
								E10	8.0	1	22.2	46.8	50
								E15	11.9	2	33.0	60.3	70
								E20	15.9	2	44.1	74.2	80
	230-3-60	16.0	120.0	25.0	2.3	5.2	10.0	None	-	-	-	37.5	50
								E05	5.3	1	12.7	37.5	50
								E07	7.5	1	18.0	41.6	50
								E10	10.6	1	25.5	50.9	60
								E15	15.9	2	38.2	66.8	70
								E20	21.2	2	51.0	82.7	90
460-3-60	8.3	60.0	13.0	1.3	2.6	5.0	None	-	-	-	19.3	25	
							E07	6.8	1	8.2	19.7	25	
							E10	10.1	1	12.1	24.7	25	
							E15	13.6	2	16.4	29.9	30	
575-3-60	6.7	40.0	10.5	1.3	2.0	4.0	E20	19.5	2	23.5	38.8	40	
							None	-	-	-	15.4	20	
							E10	10.6	1	10.2	20.2	25	
							E15	15.9	1	15.3	26.6	30	
E20	21.2	2	20.4	33.0	35								

ZR036-060 (Belt Drive High Static) (Continued)

Size (Tons)	Volt	Compressors (each)			OD Fan Motors (each)	Supply Blower Motor	Pwr Conv Outlet	Electric Heat Option				MCA <sup>1</sup> (Amps)	Max Fuse <sup>2/</sup> Breaker <sup>3</sup> Size (Amps)
		RLA	LRA	MCC	FLA	FLA	FLA	Model	kW	Stages	Amps		
060 (5.0)	208-3-60	17.6	123.0	27.5	2.3	8.2	10.0	None	-	-	-	42.5	60
								E05	4.0	1	11.1	42.5	60
								E07	5.6	1	15.5	42.5	60
								E10	8.0	1	22.2	50.5	60
								E15	11.9	2	33.0	64.0	70
								E20	15.9	2	44.1	77.9	80
	230-3-60	17.6	123.0	27.5	2.3	8.2	10.0	None	-	-	-	42.5	60
								E05	5.3	1	12.7	42.5	60
								E07	7.5	1	18.0	45.3	60
								E10	10.6	1	25.5	54.6	60
								E15	15.9	2	38.2	70.6	80
								E20	21.2	2	51.0	86.5	90
	460-3-60	9.6	70.0	15.0	1.3	4.1	5.0	None	-	-	-	22.4	30
								E07	6.8	1	8.2	22.4	30
								E10	10.1	1	12.1	26.6	30
								E15	13.6	2	16.4	31.8	35
								E20	19.5	2	23.5	40.7	45
								E30	28.8	2	34.6	54.7	60
	575-3-60	7.5	53.0	11.7	1.3	3.6	4.0	None	-	-	-	18.0	25
								E10	10.6	1	10.2	22.2	25
								E15	15.9	1	15.3	28.6	30
								E20	21.2	2	20.4	35.0	35
								E30	30.4	2	29.3	46.1	50

1. Minimum Circuit Ampacity.
2. Dual Element, Time Delay Type.
3. HACR type per NEC.



ZR036-060 (Direct Drive)

Size (Tons)	Volt	Compressors (each)			OD Fan Motors (each)	Supply Blower Motor	Pwr Conv Outlet	Electric Heat Option				MCA <sup>1</sup> (Amps)	Max Fuse <sup>2/</sup> Breaker <sup>3</sup> Size (Amps)
		RLA	LRA	MCC	FLA	FLA	FLA	Model	kW	Stages	Amps		
036 (3.0)	208-1-60	16.6	88.0	26.0	2.3	6.0	10.0	None	-	-	-	39.0	50
								E05	4.0	1	19.2	44.0	50
								E07	5.6	1	26.9	53.7	60
								E10	8.0	1	38.5	68.1	70
								E15	11.9	2	57.2	91.5	100
								E20	15.9	2	76.4	115.6	125
	230-1-60	16.6	88.0	26.0	2.3	6.0	10.0	None	-	-	-	39.0	50
								E05	5.3	1	22.1	47.6	50
								E07	7.5	1	31.3	59.1	60
								E10	10.6	1	44.2	75.2	80
								E15	15.9	2	66.3	102.8	110
								E20	21.2	2	88.3	130.4	150
	208-3-60	12.8	95.0	20.0	2.3	6.0	10.0	None	-	-	-	34.3	45
								E05	4.0	1	11.1	34.3	45
								E07	5.6	1	15.5	39.4	45
								E10	8.0	1	22.2	47.8	50
								E15	11.9	2	33.0	61.3	70
								E20	15.9	2	44.1	75.2	80
	230-3-60	12.8	95.0	20.0	2.3	6.0	10.0	None	-	-	-	34.3	45
								E05	5.3	1	12.7	35.9	45
E07								7.5	1	18.0	42.6	45	
E10								10.6	1	25.5	51.9	60	
E15								15.9	2	38.2	67.8	70	
E20								21.2	2	51.0	83.7	90	
048 (4.0)	208-1-60	21.1	113.0	33.0	2.3	7.6	10.0	None	-	-	-	46.3	60
								E05	4.0	1	19.2	46.3	60
								E07	5.6	1	26.9	55.7	60
								E10	8.0	1	38.5	70.1	80
								E15	11.9	2	57.2	93.5	100
								E20	15.9	2	76.4	117.6	125
	230-1-60	21.1	113.0	33.0	2.3	7.6	10.0	None	-	-	-	46.3	60
								E05	5.3	1	22.1	49.6	60
								E07	7.5	1	31.3	61.1	70
								E10	10.6	1	44.2	77.2	80
								E15	15.9	2	66.3	104.8	110
								E20	21.2	2	88.3	132.4	150
	208-3-60	16.0	120.0	25.0	2.3	7.6	10.0	None	-	-	-	39.9	50
								E05	4.0	1	11.1	39.9	50
								E07	5.6	1	15.5	41.4	50
								E10	8.0	1	22.2	49.8	50
								E15	11.9	2	33.0	63.3	70
								E20	15.9	2	44.1	77.2	80
	230-3-60	16.0	120.0	25.0	2.3	7.6	10.0	None	-	-	-	39.9	50
								E05	5.3	1	12.7	39.9	50
E07								7.5	1	18.0	44.6	50	
E10								10.6	1	25.5	53.9	60	
E15								15.9	2	38.2	69.8	70	
E20								21.2	2	51.0	85.7	90	

**ZR036-060 (Direct Drive) (Continued)**

Size (Tons)	Volt	Compressors (each)			OD Fan Motors (each)	Supply Blower Motor	Pwr Conv Outlet	Electric Heat Option				MCA <sup>1</sup> (Amps)	Max Fuse <sup>2/</sup> Breaker <sup>3</sup> Size (Amps)
		RLA	LRA	MCC	FLA	FLA	FLA	Model	kW	Stages	Amps		
060 (5.0)	208-1-60	28.8	145.0	45.0	2 3	7.6	10.0	None	-	-	-	55.9	70
								E05	4.0	1	19.2	55.9	70
								E07	5.6	1	26.9	55.9	70
								E10	8.0	1	38.5	70.1	80
								E15	11.9	2	57.2	93.5	100
								E20	15.9	2	76.4	117.6	125
	230-1-60	28.8	145.0	45.0	2 3	7.6	10.0	None	-	-	-	55.9	70
								E05	5.3	1	22.1	55.9	70
								E07	7.5	1	31.3	61.1	80
								E10	10.6	1	44.2	77.2	80
								E15	15.9	2	66.3	104.8	110
								E20	21.2	2	88.3	132.4	150
	208-3-60	17.6	123.0	27.5	2 3	7.6	10.0	None	-	-	-	41.9	50
								E05	4.0	1	11.1	41.9	50
								E07	5.6	1	15.5	41.9	50
								E10	8.0	1	22.2	49.8	50
								E15	11.9	2	33.0	63.3	70
								E20	15.9	2	44.1	77.2	80
	230-3-60	17.6	123.0	27.5	2 3	7.6	10.0	None	-	-	-	41.9	50
								E05	5.3	1	12.7	41.9	50
								E07	7.5	1	18.0	44.6	50
								E10	10.6	1	25.5	53.9	60
								E15	15.9	2	38.2	69.8	70
								E20	21.2	2	51.0	85.7	90
E30	29.6	2	71.2	111.0	125								

1. Minimum Circuit Ampacity.
2. Dual Element, Time Delay Type.
3. HACR type per NEC.

XP036-060 (Belt Drive)

Size (Tons)	Volt	Compressors (each)			OD Fan Motors (each)	Supply Blower Motor	Pwr Conv Outlet	Electric Heat Option				MCA <sup>1</sup> (Amps)	Max Fuse <sup>2/</sup> Breaker <sup>3</sup> Size (Amps)
		RLA	LRA	MCC	FLA	FLA	FLA	Model	kW	Stages	Amps		
036 (3.0)	208-1-60	16.6	88.0	26.0	1.6	7.6	10.0	None	-	-	-	40.0	50
								E05	4.0	1	19.2	64.0	70
								E07	5.6	1	26.9	73.6	80
								E10	8.0	1	38.5	88.0	90
								E15	11.9	2	57.2	111.5	125
								E20	15.9	2	76.4	135.5	150
	230-1-60	16.6	88.0	26.0	1.6	7.6	10.0	None	-	-	-	40.0	50
								E05	5.3	1	22.1	67.6	70
								E07	7.5	1	31.3	79.0	80
								E10	10.6	1	44.2	95.2	100
								E15	15.9	2	66.3	122.8	125
								E20	21.2	2	88.3	150.4	175
	208-3-60	12.8	95.0	20.0	1.6	5.2	10.0	None	-	-	-	32.8	40
								E05	4.0	1	11.1	46.7	50
								E07	5.6	1	15.5	52.2	60
								E10	8.0	1	22.2	60.6	70
								E15	11.9	2	33.0	74.1	80
								E20	15.9	2	44.1	88.0	90
	230-3-60	12.8	95.0	20.0	1.6	5.2	10.0	None	-	-	-	32.8	40
								E05	5.3	1	12.7	48.7	50
								E07	7.5	1	18.0	55.4	60
								E10	10.6	1	25.5	64.7	70
								E15	15.9	2	38.2	80.6	90
								E20	21.2	2	51.0	96.5	100
460-3-60	6.4	45.0	10.0	0.8	2.6	5.0	None	-	-	-	16.4	20	
							E07	6.8	1	8.2	26.6	30	
							E10	10.1	1	12.1	31.6	35	
							E15	13.6	2	16.4	36.8	40	
							E20	19.5	2	23.5	45.7	50	
575-3-60	5.4	38.0	8.5	0.6	2.0	4.0	None	-	-	-	13.2	15	
							E10	10.6	1	10.2	26.0	30	
							E15	15.9	1	15.3	32.4	35	
							E20	21.2	2	20.4	38.7	40	
048 (4.0)	208-1-60	21.1	113.0	33.0	2.3	7.6	10.0	None	-	-	-	46.3	60
								E05	4.0	1	19.2	70.3	80
								E07	5.6	1	26.9	79.9	90
								E10	8.0	1	38.5	94.4	100
								E15	11.9	2	57.2	117.8	125
								E20	15.9	2	76.4	141.8	150
	230-1-60	21.1	113.0	33.0	2.3	7.6	10.0	None	-	-	-	46.3	60
								E05	5.3	1	22.1	73.9	80
								E07	7.5	1	31.3	85.3	90
								E10	10.6	1	44.2	101.5	110
								E15	15.9	2	66.3	129.1	150
								E20	21.2	2	88.3	156.7	175
	208-3-60	16.0	120.0	25.0	2.3	5.2	10.0	None	-	-	-	37.5	50
								E05	4.0	1	11.1	51.4	60
								E07	5.6	1	15.5	56.9	60
								E10	8.0	1	22.2	65.3	70
								E15	11.9	2	33.0	78.8	80
								E20	15.9	2	44.1	92.7	100
	230-3-60	16.0	120.0	25.0	2.3	5.2	10.0	None	-	-	-	37.5	50
								E05	5.3	1	12.7	53.4	60
								E07	7.5	1	18.0	60.1	70
								E10	10.6	1	25.5	69.4	70
								E15	15.9	2	38.2	85.3	90
								E20	21.2	2	51.0	101.2	110
	460-3-60	8.3	60.0	13.0	1.3	2.6	5.0	None	-	-	-	19.3	25
								E07	6.8	1	8.2	29.5	35
								E10	10.1	1	12.1	34.5	35
								E15	13.6	2	16.4	39.7	40
								E20	19.5	2	23.5	48.6	50
	575-3-60	6.7	40.0	10.5	1.3	2.0	4.0	None	-	-	-	15.4	20
E10								10.6	1	10.2	28.2	30	
E15								15.9	1	15.3	34.5	35	
E20								21.2	2	20.4	40.9	45	

**XP036-060 (Belt Drive) (Continued)**

Size (Tons)	Volt	Compressors (each)			OD Fan Motors (each)	Supply Blower Motor	Pwr Conv Outlet	Electric Heat Option				MCA <sup>1</sup> (Amps)	Max Fuse <sup>2/</sup> Breaker <sup>3</sup> Size (Amps)
		RLA	LRA	MCC	FLA	FLA	FLA	Model	kW	Stages	Amps		
060 (5.0)	208-1-60	26.2	134.0	41.0	2 3	7.6	10.0	None	-	-	-	52.7	70
								E05	4.0	1	19.2	76.7	90
								E07	5.6	1	26.9	86.3	100
								E10	8.0	1	38.5	100.7	110
								E15	11.9	2	57.2	124.2	125
								E20	15.9	2	76.4	148.2	150
	230-1-60	26.2	134.0	41.0	2 3	7.6	10.0	None	-	-	-	52.7	70
								E05	5.3	1	22.1	80.3	100
								E07	7.5	1	31.3	91.7	110
								E10	10.6	1	44.2	107.9	110
								E15	15.9	2	66.3	135.5	150
								E20	21.2	2	88.3	163.1	175
	208-3-60	15.6	110.0	24.4	2 3	5.2	10.0	None	-	-	-	37.0	45
								E05	4.0	1	11.1	50.9	60
								E07	5.6	1	15.5	56.4	60
								E10	8.0	1	22.2	64.8	70
								E15	11.9	2	33.0	78.3	80
								E20	15.9	2	44.1	92.2	100
	230-3-60	15.6	110.0	24.4	2 3	5.2	10.0	None	-	-	-	37.0	45
								E05	5.3	1	12.7	52.9	60
								E07	7.5	1	18.0	59.6	70
								E10	10.6	1	25.5	68.9	70
								E15	15.9	2	38.2	84.8	90
								E20	21.2	2	51.0	100.7	110
460-3-60	7.7	52.0	12.1	1.3	2.6	5.0	None	-	-	-	18.5	25	
							E07	6.8	1	8.2	28.7	30	
							E10	10.1	1	12.1	33.7	35	
							E15	13.6	2	16.4	39.0	40	
							E20	19.5	2	23.5	47.8	50	
							E30	28.8	2	34.6	61.8	70	
575-3-60	5.8	38.9	9.1	1.3	2.0	4.0	None	-	-	-	14.3	20	
							E10	10.6	1	10.2	27.0	30	
							E15	15.9	1	15.3	33.4	35	
							E20	21.2	2	20.4	39.8	40	
							E30	30.4	2	29.3	50.9	60	

1. Minimum Circuit Ampacity.
2. Dual Element, Time Delay Type.
3. HACR type per NEC.

**XP036-060 (Belt Drive High Static)**

Size (Tons)	Volt	Compressors (each)			OD Fan Motors (each)	Supply Blower Motor	Pwr Conv Outlet	Electric Heat Option				MCA <sup>1</sup> (Amps)	Max Fuse <sup>2/</sup> Breaker <sup>3</sup> Size (Amps)
		RLA	LRA	MCC	FLA	FLA	FLA	Model	kW	Stages	Amps		
036 (3.0)	208-1-60	16.6	88.0	26.0	1.6	7.6	10.0	None	-	-	-	40.0	50
								E05	4.0	1	19.2	64.0	70
								E07	5.6	1	26.9	73.6	80
								E10	8.0	1	38.5	88.0	90
								E15	11.9	2	57.2	111.5	125
								E20	15.9	2	76.4	135.5	150
	230-1-60	16.6	88.0	26.0	1.6	7.6	10.0	None	-	-	-	40.0	50
								E05	5.3	1	22.1	67.6	70
								E07	7.5	1	31.3	79.0	80
								E10	10.6	1	44.2	95.2	100
								E15	15.9	2	66.3	122.8	125
								E20	21.2	2	88.3	150.4	175
	208-3-60	12.8	95.0	20.0	1.6	5.2	10.0	None	-	-	-	32.8	40
								E05	4.0	1	11.1	46.7	50
								E07	5.6	1	15.5	52.2	60
								E10	8.0	1	22.2	60.6	70
								E15	11.9	2	33.0	74.1	80
								E20	15.9	2	44.1	88.0	90
	230-3-60	12.8	95.0	20.0	1.6	5.2	10.0	None	-	-	-	32.8	40
								E05	5.3	1	12.7	48.7	50
								E07	7.5	1	18.0	55.4	60
								E10	10.6	1	25.5	64.7	70
								E15	15.9	2	38.2	80.6	90
								E20	21.2	2	51.0	96.5	100
460-3-60	6.4	45.0	10.0	0.8	2.6	5.0	None	-	-	-	16.4	20	
							E07	6.8	1	8.2	26.6	30	
							E10	10.1	1	12.1	31.6	35	
							E15	13.6	2	16.4	36.8	40	
							E20	19.5	2	23.5	45.7	50	
							None	-	-	-	-	-	
575-3-60	5.4	38.0	8.5	0.6	2.0	4.0	None	-	-	-	13.2	15	
							E10	10.6	1	10.2	26.0	30	
							E15	15.9	1	15.3	32.4	35	
							E20	21.2	2	20.4	38.7	40	
							None	-	-	-	-	-	
							None	-	-	-	-	-	
048 (4.0)	208-1-60	21.1	113.0	33.0	2.3	7.6	10.0	None	-	-	-	46.3	60
								E05	4.0	1	19.2	70.3	80
								E07	5.6	1	26.9	79.9	90
								E10	8.0	1	38.5	94.4	100
								E15	11.9	2	57.2	117.8	125
								E20	15.9	2	76.4	141.8	150
	230-1-60	21.1	113.0	33.0	2.3	7.6	10.0	None	-	-	-	46.3	60
								E05	5.3	1	22.1	73.9	80
								E07	7.5	1	31.3	85.3	90
								E10	10.6	1	44.2	101.5	110
								E15	15.9	2	66.3	129.1	150
								E20	21.2	2	88.3	156.7	175
	208-3-60	16.0	120.0	25.0	2.3	5.2	10.0	None	-	-	-	37.5	50
								E05	4.0	1	11.1	51.4	60
								E07	5.6	1	15.5	56.9	60
								E10	8.0	1	22.2	65.3	70
								E15	11.9	2	33.0	78.8	80
								E20	15.9	2	44.1	92.7	100
	230-3-60	16.0	120.0	25.0	2.3	5.2	10.0	None	-	-	-	37.5	50
								E05	5.3	1	12.7	53.4	60
								E07	7.5	1	18.0	60.1	70
								E10	10.6	1	25.5	69.4	70
								E15	15.9	2	38.2	85.3	90
								E20	21.2	2	51.0	101.2	110
	460-3-60	8.3	60.0	13.0	1.3	2.6	5.0	None	-	-	-	19.3	25
								E07	6.8	1	8.2	29.5	35
								E10	10.1	1	12.1	34.5	35
								E15	13.6	2	16.4	39.7	40
								E20	19.5	2	23.5	48.6	50
								None	-	-	-	-	-
575-3-60	6.7	40.0	10.5	1.3	2.0	4.0	None	-	-	-	15.4	20	
							E10	10.6	1	10.2	28.2	30	
							E15	15.9	1	15.3	34.5	35	
							E20	21.2	2	20.4	40.9	45	
							None	-	-	-	-	-	
							None	-	-	-	-	-	

**XP036-060 (Belt Drive High Static) (Continued)**

Size (Tons)	Volt	Compressors (each)			OD Fan Motors (each)	Supply Blower Motor	Pwr Conv Outlet	Electric Heat Option				MCA <sup>1</sup> (Amps)	Max Fuse <sup>2/</sup> Breaker <sup>3</sup> Size (Amps)
		RLA	LRA	MCC	FLA	FLA	FLA	Model	kW	Stages	Amps		
060 (5.0)	208-3-60	15.6	110.0	24.4	2.3	8.2	10.0	None	-	-	-	40.0	50
								E05	4.0	1	11.1	53.9	60
								E07	5.6	1	15.5	59.4	70
								E10	8.0	1	22.2	67.8	70
								E15	11.9	2	33.0	81.3	90
								E20	15.9	2	44.1	95.2	100
	230-3-60	15.6	110.0	24.4	2.3	8.2	10.0	None	-	-	-	40.0	50
								E05	5.3	1	12.7	55.9	60
								E07	7.5	1	18.0	62.6	70
								E10	10.6	1	25.5	71.9	80
								E15	15.9	2	38.2	87.8	90
								E20	21.2	2	51.0	103.7	110
	460-3-60	7.7	52.0	12.1	1.3	4.1	5.0	None	-	-	-	20.0	25
								E07	6.8	1	8.2	30.2	35
								E10	10.1	1	12.1	35.2	40
								E15	13.6	2	16.4	40.5	45
								E20	19.5	2	23.5	49.3	50
								E30	28.8	2	34.6	63.3	70
	575-3-60	5.8	38.9	9.1	1.3	3.6	4.0	None	-	-	-	15.9	20
								E10	10.6	1	10.2	28.6	30
								E15	15.9	1	15.3	35.0	40
								E20	21.2	2	20.4	41.4	45
								E30	30.4	2	29.3	52.5	60

1. Minimum Circuit Ampacity.
2. Dual Element, Time Delay Type.
3. HACR type per NEC.

XP036-060 (Direct Drive)

Size (Tons)	Volt	Compressors (each)			OD Fan Motors (each)	Supply Blower Motor	Pwr Conv Outlet	Electric Heat Option				MCA <sup>1</sup> (Amps)	Max Fuse <sup>2</sup> / Breaker <sup>3</sup> Size (Amps)
		RLA	LRA	MCC	FLA	FLA	FLA	Model	kW	Stages	Amps		
036 (3.0)	208-1-60	16.6	88.0	26.0	1.6	6.0	10.0	None	-	-	-	38.4	50
								E05	4.0	1	19.2	62.4	70
								E07	5.6	1	26.9	72.0	80
								E10	8.0	1	38.5	86.4	90
								E15	11.9	2	57.2	109.9	110
								E20	15.9	2	76.4	133.9	150
	230-1-60	16.6	88.0	26.0	1.6	6.0	10.0	None	-	-	-	38.4	50
								E05	5.3	1	22.1	66.0	70
								E07	7.5	1	31.3	77.4	80
								E10	10.6	1	44.2	93.6	100
								E15	15.9	2	66.3	121.2	125
								E20	21.2	2	88.3	148.8	150
	208-3-60	12.8	95.0	20.0	1.6	6.0	10.0	None	-	-	-	33.6	45
								E05	4.0	1	11.1	47.5	50
								E07	5.6	1	15.5	53.0	60
								E10	8.0	1	22.2	61.4	70
								E15	11.9	2	33.0	74.9	80
								E20	15.9	2	44.1	88.8	90
	230-3-60	12.8	95.0	20.0	1.6	6.0	10.0	None	-	-	-	33.6	45
								E05	5.3	1	12.7	49.5	50
								E07	7.5	1	18.0	56.2	60
								E10	10.6	1	25.5	65.5	70
								E15	15.9	2	38.2	81.4	90
								E20	21.2	2	51.0	97.3	100
048 (4.0)	208-1-60	21.1	113.0	33.0	2.3	7.6	10.0	None	-	-	-	46.3	60
								E05	4.0	1	19.2	70.3	80
								E07	5.6	1	26.9	79.9	90
								E10	8.0	1	38.5	94.4	100
								E15	11.9	2	57.2	117.8	125
								E20	15.9	2	76.4	141.8	150
	230-1-60	21.1	113.0	33.0	2.3	7.6	10.0	None	-	-	-	46.3	60
								E05	5.3	1	22.1	73.9	80
								E07	7.5	1	31.3	85.3	90
								E10	10.6	1	44.2	101.5	110
								E15	15.9	2	66.3	129.1	150
								E20	21.2	2	88.3	156.7	175
	208-3-60	16.0	120.0	25.0	2.3	7.6	10.0	None	-	-	-	39.9	50
								E05	4.0	1	11.1	53.8	60
								E07	5.6	1	15.5	59.3	70
								E10	8.0	1	22.2	67.7	70
								E15	11.9	2	33.0	81.2	90
								E20	15.9	2	44.1	95.1	100
	230-3-60	16.0	120.0	25.0	2.3	7.6	10.0	None	-	-	-	39.9	50
								E05	5.3	1	12.7	55.8	60
								E07	7.5	1	18.0	62.5	70
								E10	10.6	1	25.5	71.8	80
								E15	15.9	2	38.2	87.7	90
								E20	21.2	2	51.0	103.6	110

**XP036-060 (Direct Drive) (Continued)**

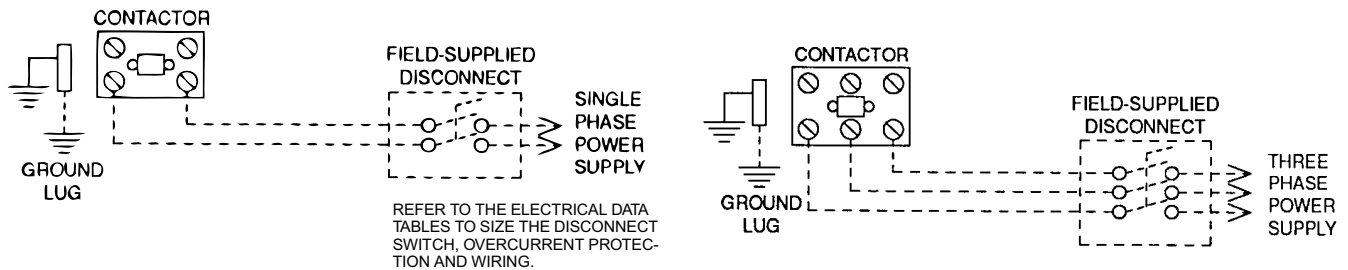
Size (Tons)	Volt	Compressors (each)			OD Fan Motors (each)	Supply Blower Motor	Pwr Conv Outlet	Electric Heat Option				MCA <sup>1</sup> (Amps)	Max Fuse <sup>2</sup> / Breaker <sup>3</sup> Size (Amps)
		RLA	LRA	MCC	FLA	FLA	FLA	Model	kW	Stages	Amps		
060 (5.0)	208-1-60	26.2	134.0	41.0	2.3	7.6	10.0	None	-	-	-	52.7	70
								E05	4.0	1	19.2	76.7	90
								E07	5.6	1	26.9	86.3	100
								E10	8.0	1	38.5	100.7	110
								E15	11.9	2	57.2	124.2	125
								E20	15.9	2	76.4	148.2	150
	230-1-60	26.2	134.0	41.0	2.3	7.6	10.0	None	-	-	-	52.7	70
								E05	5.3	1	22.1	80.3	100
								E07	7.5	1	31.3	91.7	110
								E10	10.6	1	44.2	107.9	110
								E15	15.9	2	66.3	135.5	150
								E20	21.2	2	88.3	163.1	175
	208-3-60	15.6	110.0	24.4	2.3	7.6	10.0	None	-	-	-	39.4	50
								E05	4.0	1	11.1	53.3	60
								E07	5.6	1	15.5	58.8	70
								E10	8.0	1	22.2	67.2	70
								E15	11.9	2	33.0	80.7	90
								E20	15.9	2	44.1	94.6	100
	230-3-60	15.6	110.0	24.4	2.3	7.6	10.0	None	-	-	-	39.4	50
								E05	5.3	1	12.7	55.3	60
								E07	7.5	1	18.0	62.0	70
								E10	10.6	1	25.5	71.3	80
								E15	15.9	2	38.2	87.2	90
								E20	21.2	2	51.0	103.1	110
							E30	29.6	2	71.2	128.4	150	

1. Minimum Circuit Ampacity.
2. Dual Element, Time Delay Type.
3. HACR type per NEC.



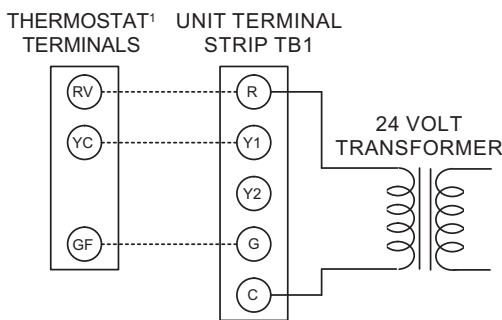
# Typical Field Power and Control Wiring

## TYPICAL POWER WIRING



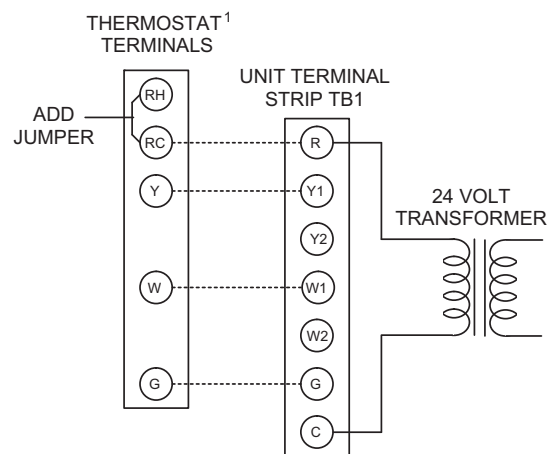
## TYPICAL COOL/HEAT CONTROL WIRING

### COOLING ONLY (24 VOLT THERMOSTAT)



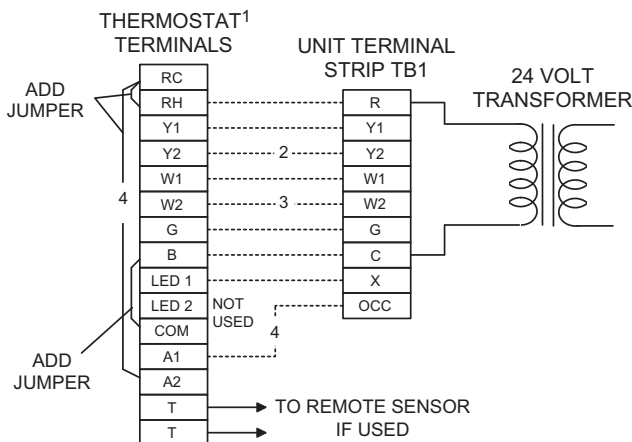
<sup>1</sup>24 VOLT THERMOSTAT. TO CONTROL THE ECONOMIZER ON SECOND STAGE COOLING, USE A 2 STAGE COOLING THERMOSTAT.

### COOLING / HEATING (24 VOLT THERMOSTAT)



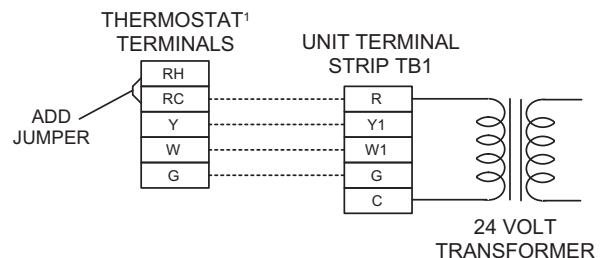
<sup>1</sup>24 VOLT THERMOSTAT. TO CONTROL THE ECONOMIZER ON THE SECOND STAGE COOLING OR TO HAVE AN ELECTRIC HEAT ACCESSORY WITH TWO STAGES OF HEAT, USE A 2 STAGE COOL AND HEAT THERMOSTAT.

### COOLING / HEATING (ELECTRONIC THERMOSTAT) MULTI STAGE



- <sup>1</sup> ELECTRONIC PROGRAMMABLE THERMOSTAT TYPICAL.
- <sup>2</sup> SECOND STAGE COOLING IS NOT REQUIRED ON UNITS LESS ECONOMIZER.
- <sup>3</sup> SECOND STAGE HEATING IS ONLY REQUIRED ON UNITS WITH A TWO STAGE ELECTRIC HEATER OR 2 STAGE GAS HEAT.
- <sup>4</sup> REMOVE JUMPER J2 FROM TERMINALS 4 AND 9 ON JUMPER PLUG CONNECTOR P6 ON UNITS WITH ECONOMIZER. TERMINALS A1 AND A2 PROVIDE A RELAY OUT-PUT TO CLOSE THE OUTDOOR ECONOMIZER DAMPERS WHEN THE THERMOSTAT SWITCHES TO THE SET-BACK POSITION.

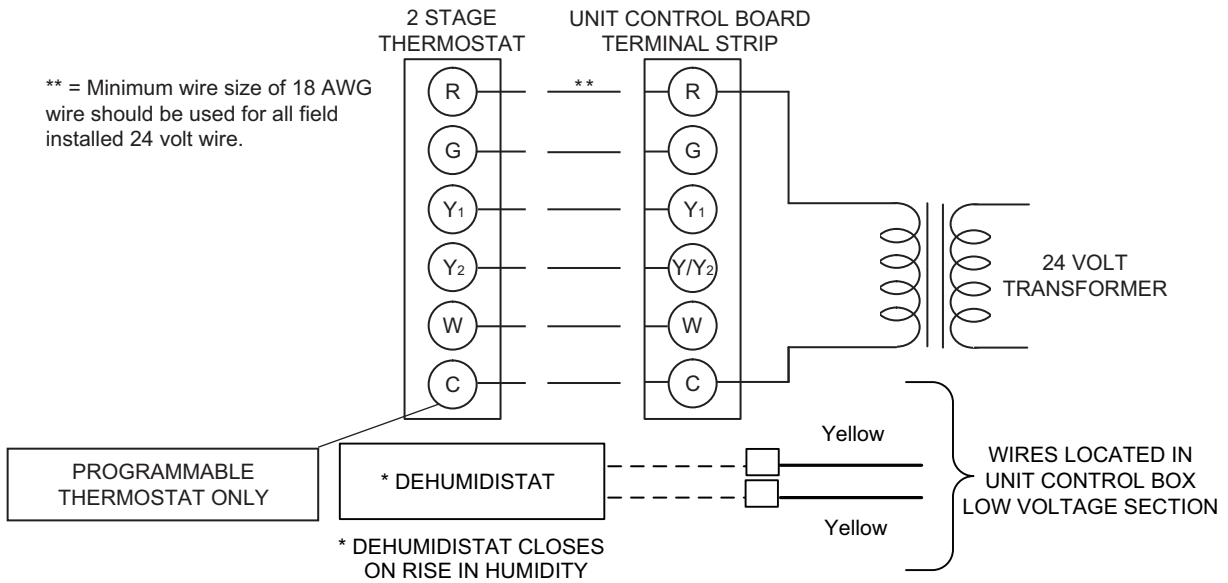
### COOLING / HEATING (ELECTRONIC THERMOSTAT) SINGLE STAGE



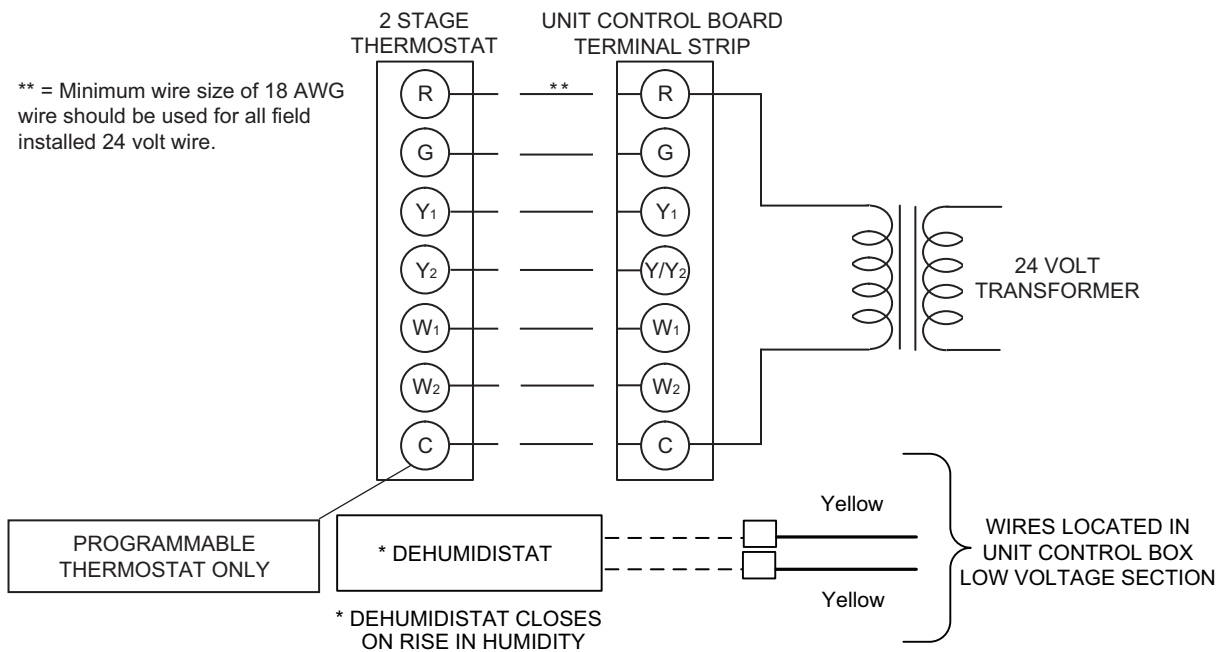
<sup>1</sup>ELECTRONIC PROGRAMMABLE THERMOSTAT TYPICAL. TO CONTROL THE ECONOMIZER ON SECOND STAGE COOLING, USE A 2 STAGE COOL AND HEAT THERMOSTAT.

## TYPICAL REHEAT CONTROL WIRING

### TWO STAGE THERMOSTAT SINGLE STAGE HEAT



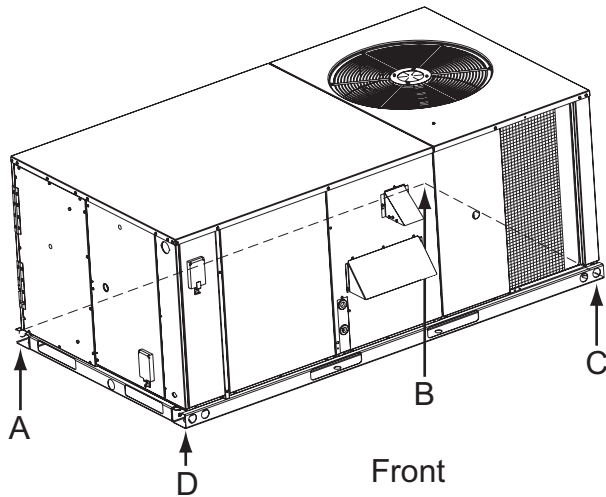
### TWO STAGE THERMOSTAT TWO STAGE HEAT



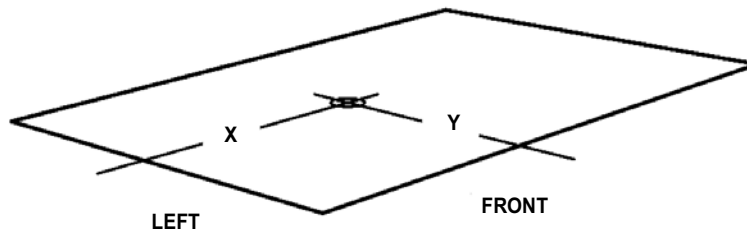
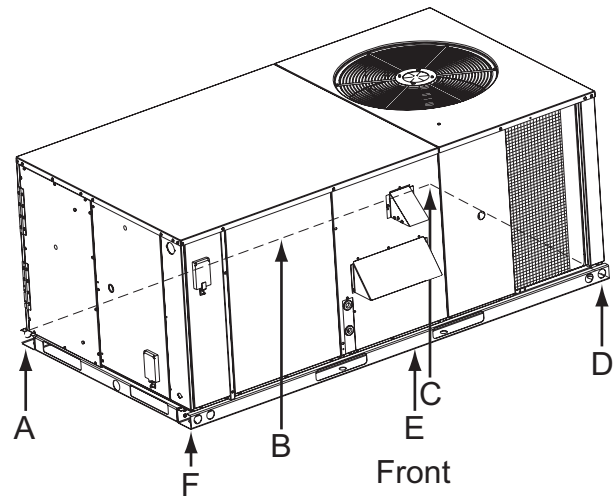
## Weights and Dimensions

### ZF/ZR/XP036-072 Unit Weights

#### Unit 4 Point Load Weight



#### Unit 6 Point Load Weight



#### ZF036-072

Size (Tons)	Weight (lbs.)		Center of Gravity		4 Point Load Location (lbs.)				6 Point Load Location (lbs.)					
	Shipping	Operating	X	Y	A	B	C	D	A	B	C	D	E	F
036 (3.0)	475	470	33	18.25	114	77	112	167	82	61	48	70	90	119
048 (4.0)	544	539	31.5	18.5	137	85	121	195	99	70	53	75	100	141
060 (5.0)	572	567	37	15	104	85	170	208	72	63	55	110	125	143
072 (6.0)	645	640	37	15	118	96	192	234	81	71	62	124	141	162

#### ZR036-060

Size (Tons)	Weight (lbs.)		Center of Gravity		4 Point Load Location (lbs.)				6 Point Load Location (lbs.)					
	Shipping	Operating	X	Y	A	B	C	D	A	B	C	D	E	F
036 (3.0)	580	575	40	20	132	125	155	164	89	85	82	102	106	110
048 (4.0)	590	585	40	20	134	127	158	167	90	87	84	104	108	112
060 (5.0)	595	590	40	20	135	128	159	168	91	88	84	105	109	113

**XP036-060**

Size (Tons)	Weight (lbs.)		Center of Gravity		4 Point Load Location (lbs.)				6 Point Load Location (lbs.)					
	Shipping	Operating	X	Y	A	B	C	D	A	B	C	D	E	F
036 (3.0)	580	575	39	20	135	121	151	168	91	85	80	99	106	114
048 (4.0)	590	585	39	20	137	124	154	171	93	87	81	101	108	116
060 (5.0)	595	590	39	20	138	125	155	172	94	87	82	102	109	117

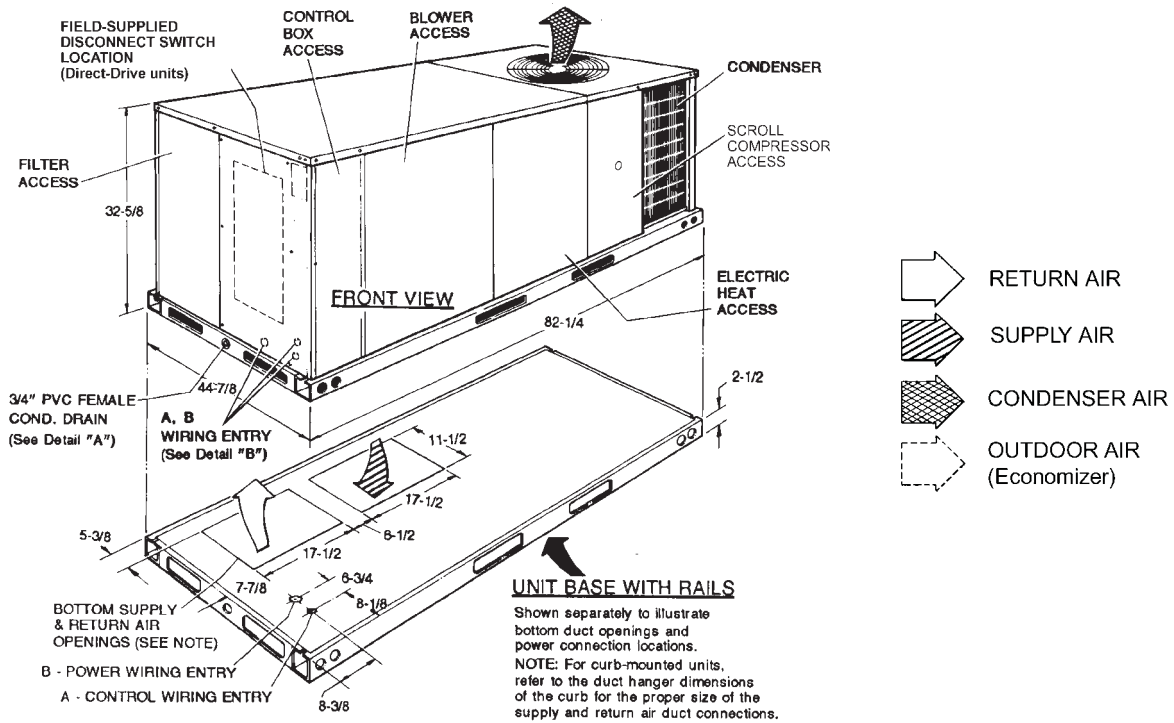
**ZF/ZR/XP036-072 Unit Accessory Weights**

Unit Accessory	Weight (lbs.)	
	Shipping	Operating
Economizer	55	50
Power Exhaust	55	50
Electric Heat <sup>1</sup>	28	28
Gas Heat <sup>2</sup>	70	70

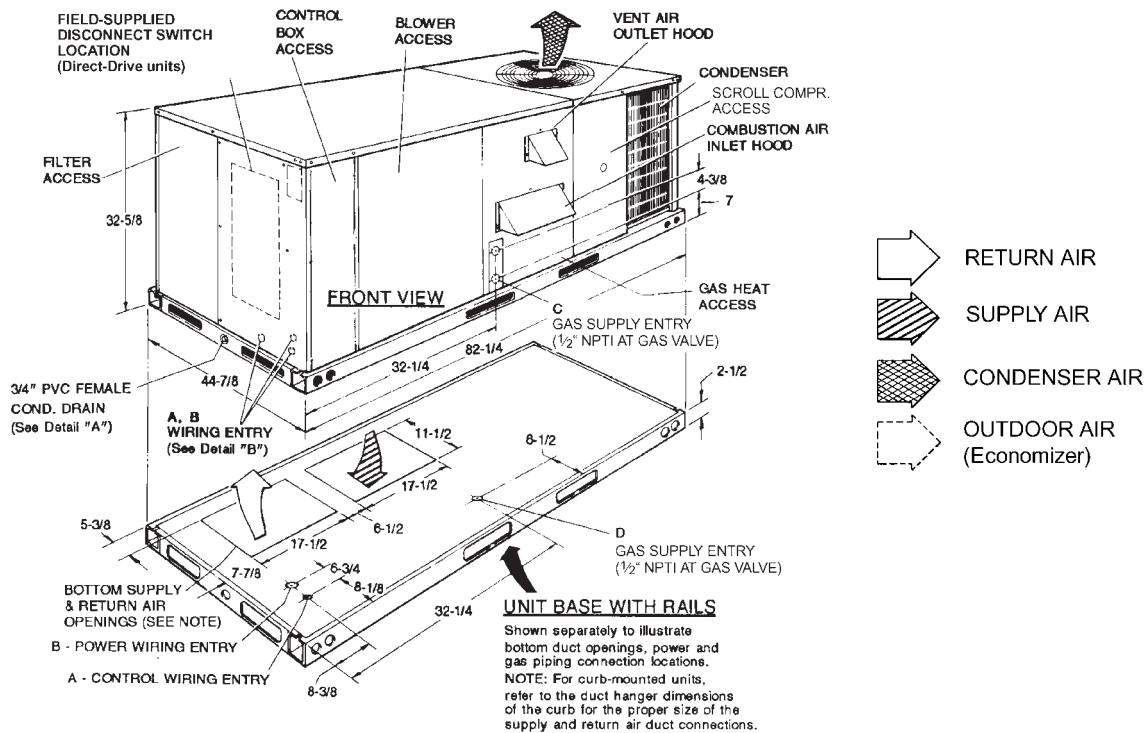
1. Weight given is for the maximum heater size available (30KW).
2. Weight given is for the maximum number of tube heat exchangers available (5 tube).

### ZF/ZR/XP036-072 Unit Dimensions

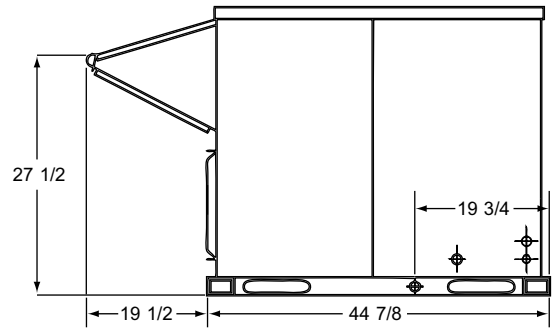
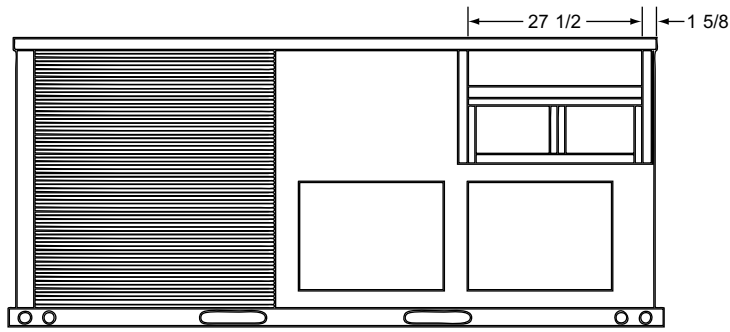
#### ZF/ZR036-072 Cooling Only/Electric Heat Front View XP036-060 Heat Pump/Electric Heat Front View



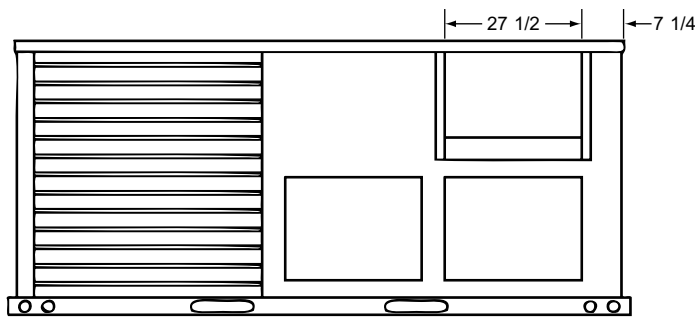
#### ZF/ZR036-072 Cooling Only/Gas Heat Front View



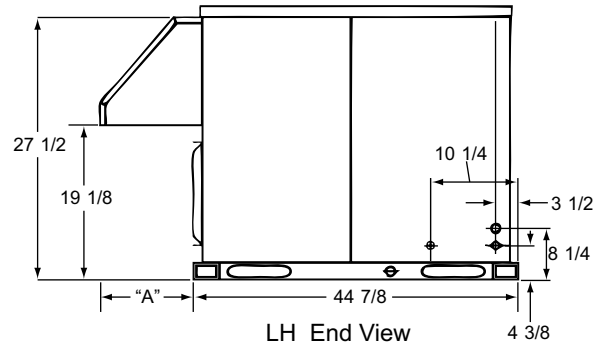
**ZF/ZR/XP036-072 Fixed Outdoor Air Motorized Damper Rain Hood**



Detail "A"



Rear View

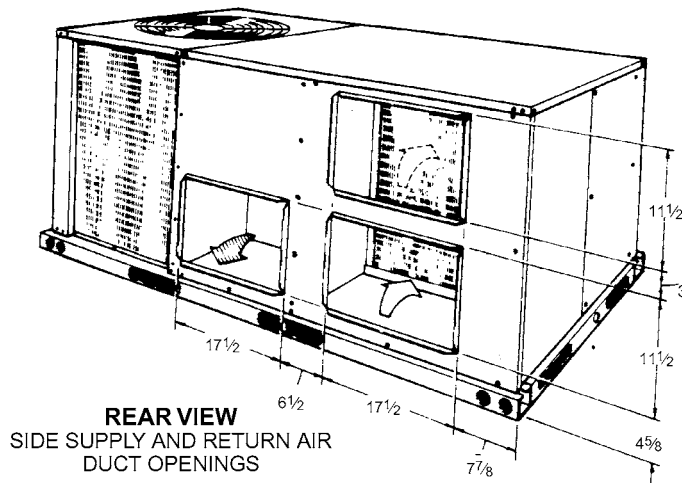


LH End View

Dimension "A"	
Fixed Outdoor Air Damper	12
Motorized Damper	16-1/2

Detail "B"

**ZF/ZR/XP036-072 Rear View**



**REAR VIEW**  
SIDE SUPPLY AND RETURN AIR  
DUCT OPENINGS

**DUCT COVERS** - Units are shipped with all air duct openings covered.

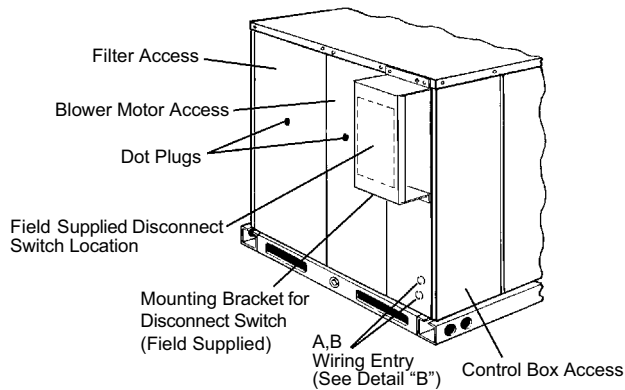
For side duct applications;

1. Remove and discard the supply and return air duct covers.
2. Connect ductwork to duct flanges on the rear of the unit.

For bottom duct applications;

1. Remove the side supply air duct cover to gain access to the bottom supply air knockout panel.
2. Remove and discard the bottom knockout panel.
3. Replace the side duct cover.
4. With filter section access panel removed from the unit, remove and discard the bottom return air knockout panel.
5. Replace the filter access panel.

**ZF/ZR/XP036-072 Disconnect**



Disconnect Switch Location and Motor Access Panel for Unit with "Belt Drive" Option

**ZF/ZR/XP036-072 Utilities Entry**

Hole	Opening Size (Dia.)	Used For
A	7/8" KO <sup>1</sup>	Control Wiring <sup>2</sup>
		Side
		Bottom
B	2" KO <sup>1</sup>	Power Wiring
		Side
		Bottom
C	1-5/8" KO	Gas Piping (Front)
D	1-1/2" KO	Gas Piping (Bottom)

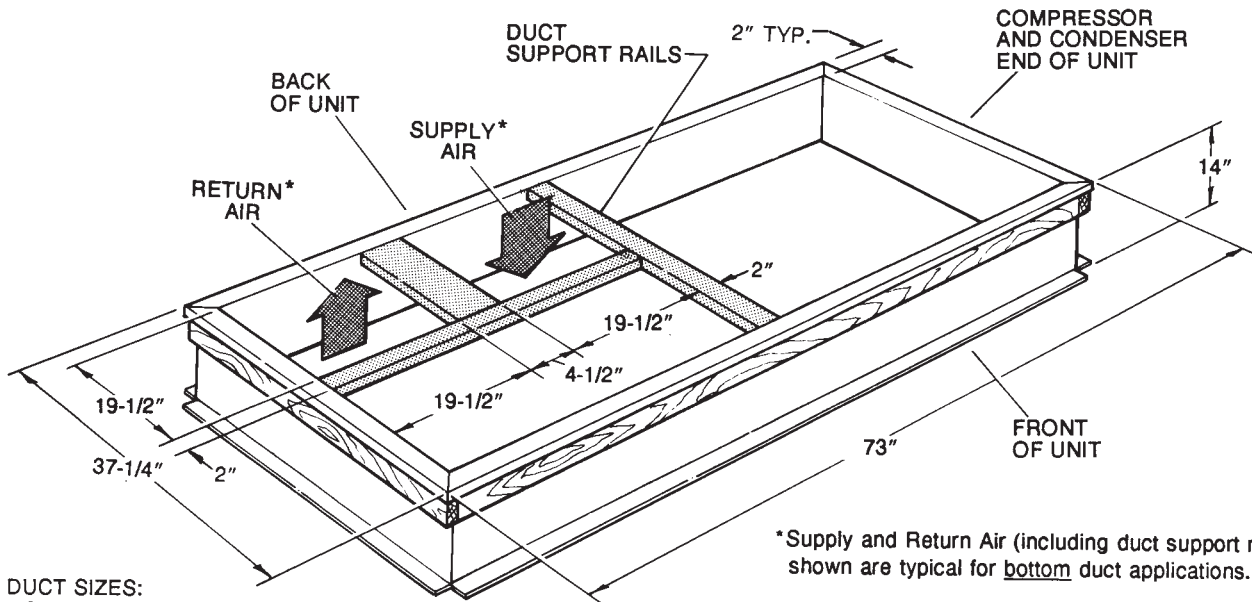
1. Opening in the bottom to the unit can be located by the slice in the insulation.
2. Do not remove the 2" knockout ring.

**ZF/ZR/XP036-072 Minimum Clearances**

Location	Clearance
Front	24" (Cooling/Electric Heat) 32" (Gas Heat)
Rear	12" (Less Economizer) 36" (With Economizer or Fixed Air/Motorized Damper)
Left Side (Filter Access)	24" (Less Economizer) 36" (With Economizer)
Right Side (Cond. Coil)	24"
Below Unit <sup>1</sup>	0"
Above Unit <sup>2</sup>	72" (For Condenser Air Discharge)

1. Units may be installed on combust ble floors made from wood or class A, B, or C roof covering material.
2. Units must be installed outdoors. Overhanging structures or shrubs should not obstruct condenser air discharge outlet.

**ZF/ZR/XP036-072 Roof Curb Dimensions**

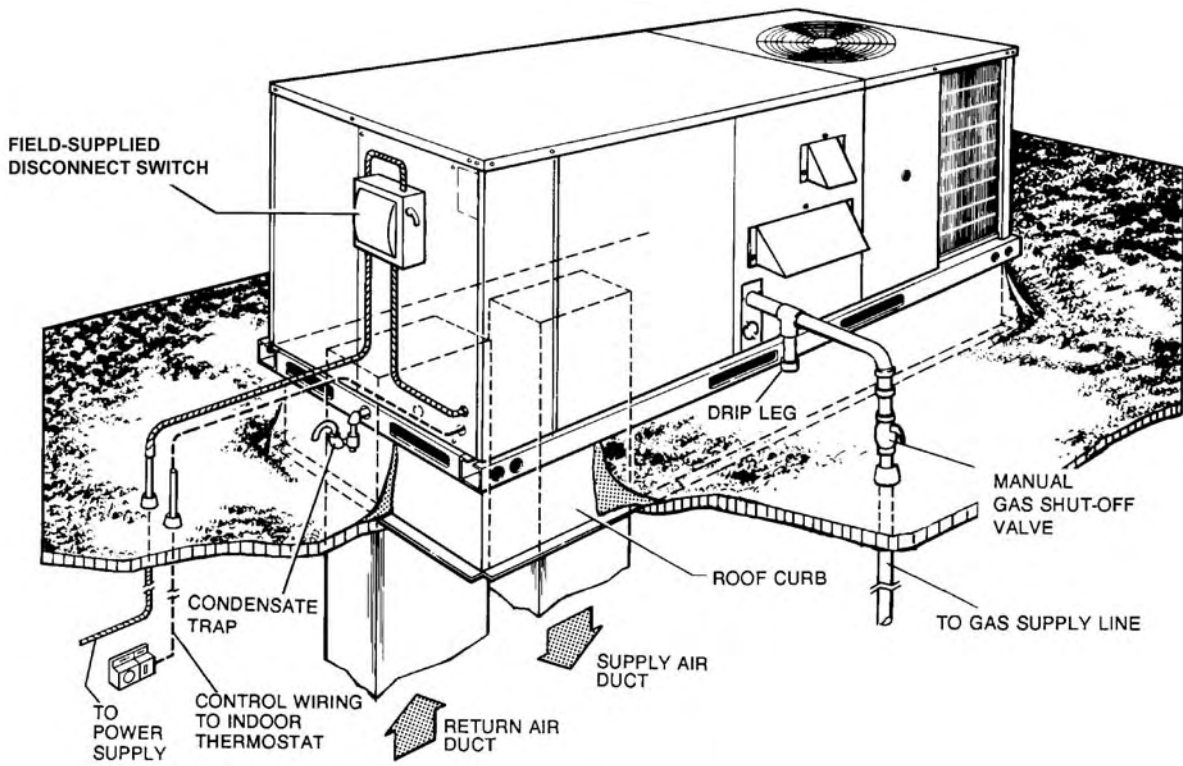
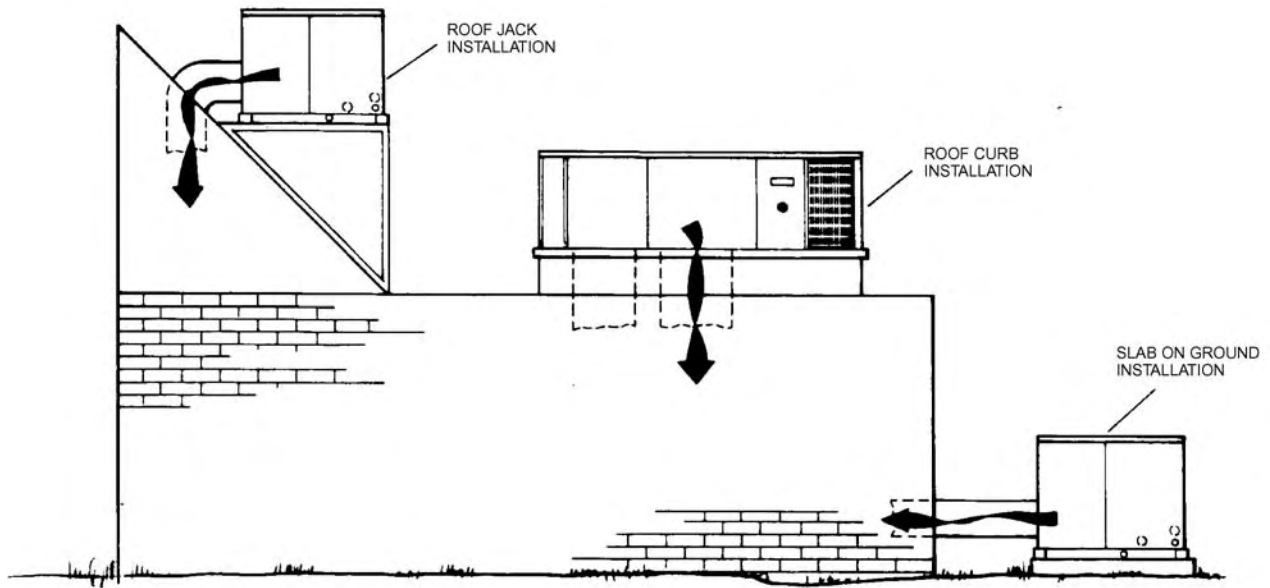


DUCT SIZES:  
 Supply Air = 19-1/4" X 19-1/4"  
 Return Air = 19-1/4" X 19-1/4"

\*Supply and Return Air (including duct support rails) shown are typical for bottom duct applications.

For location of horizontal duct applications (on back of unit), refer to Unit Dimension details.

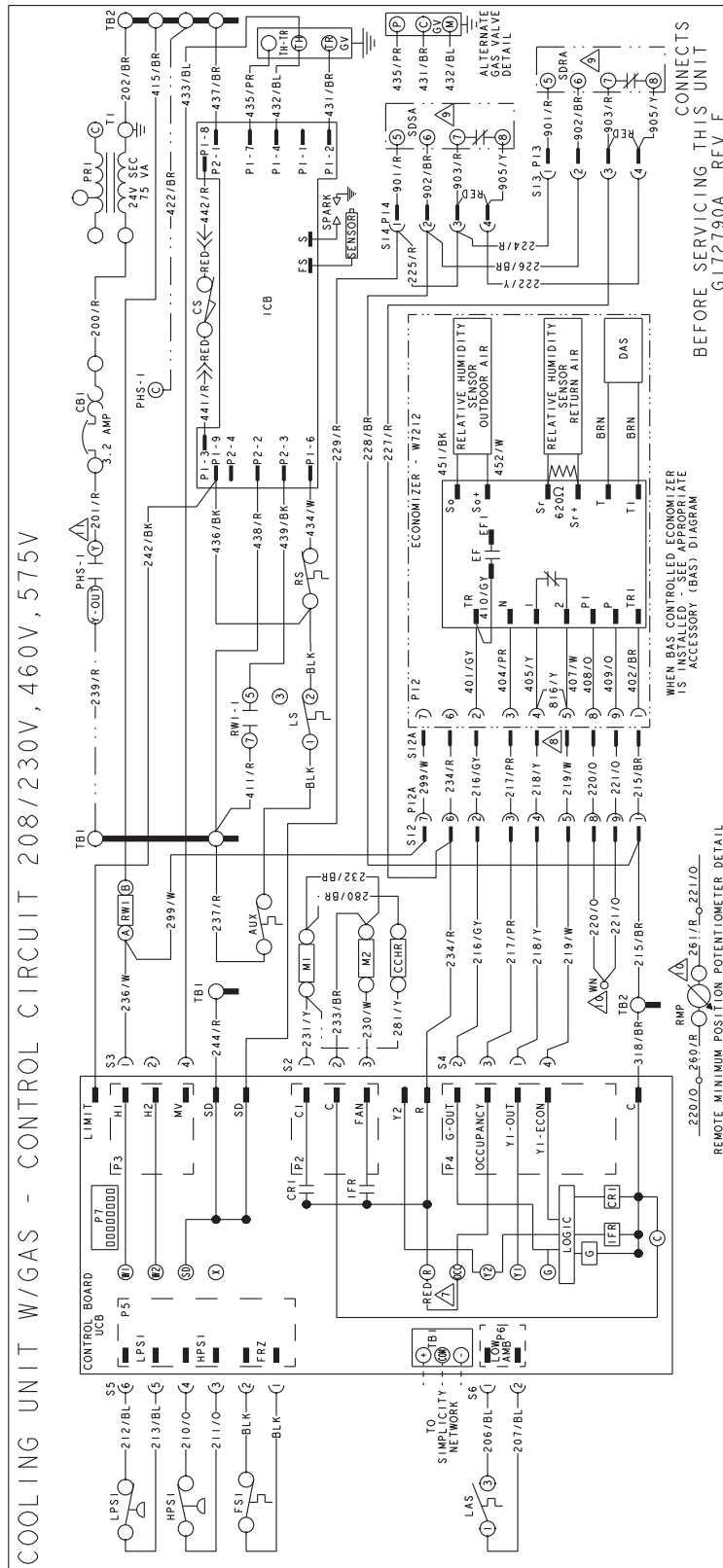
ZF/ZR/XP036-072 Typical Applications



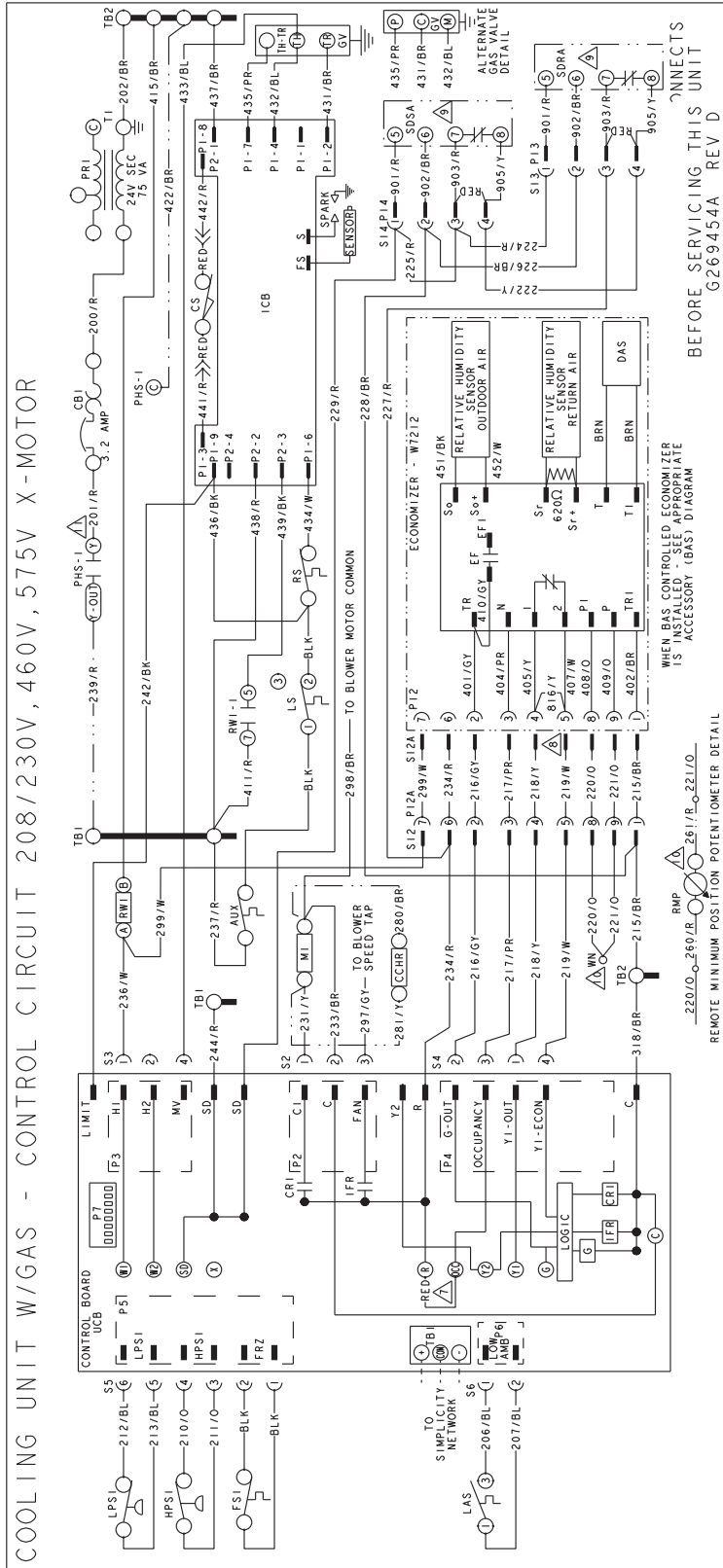


# Typical Wiring Diagrams

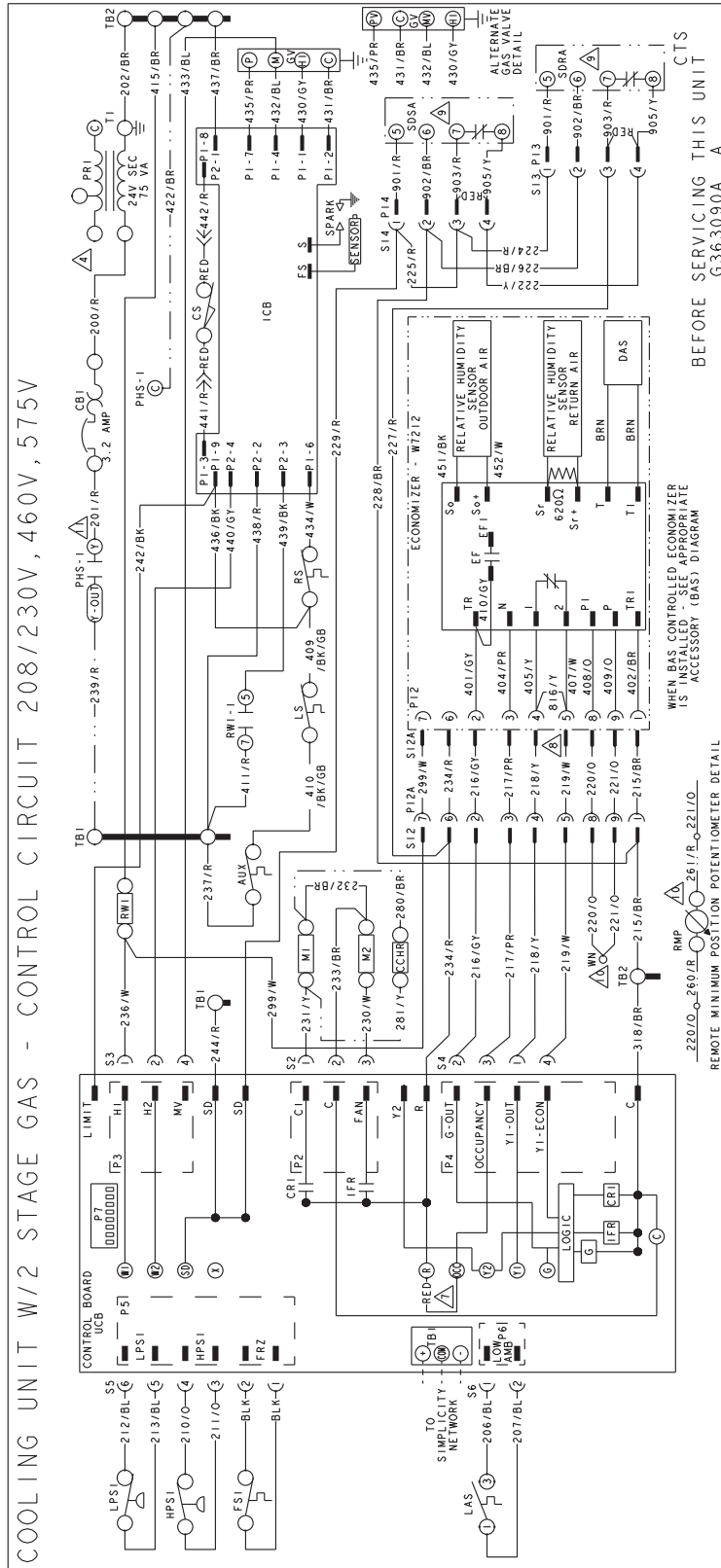
## Typical ZF036 - 060 Belt Drive With Single Stage Gas Heat Control Circuit 208/230V, 460V and 575V Diagram



Typical ZF036 - 060 Direct Drive With Single Stage Gas Heat Control Circuit 208/230V Diagram



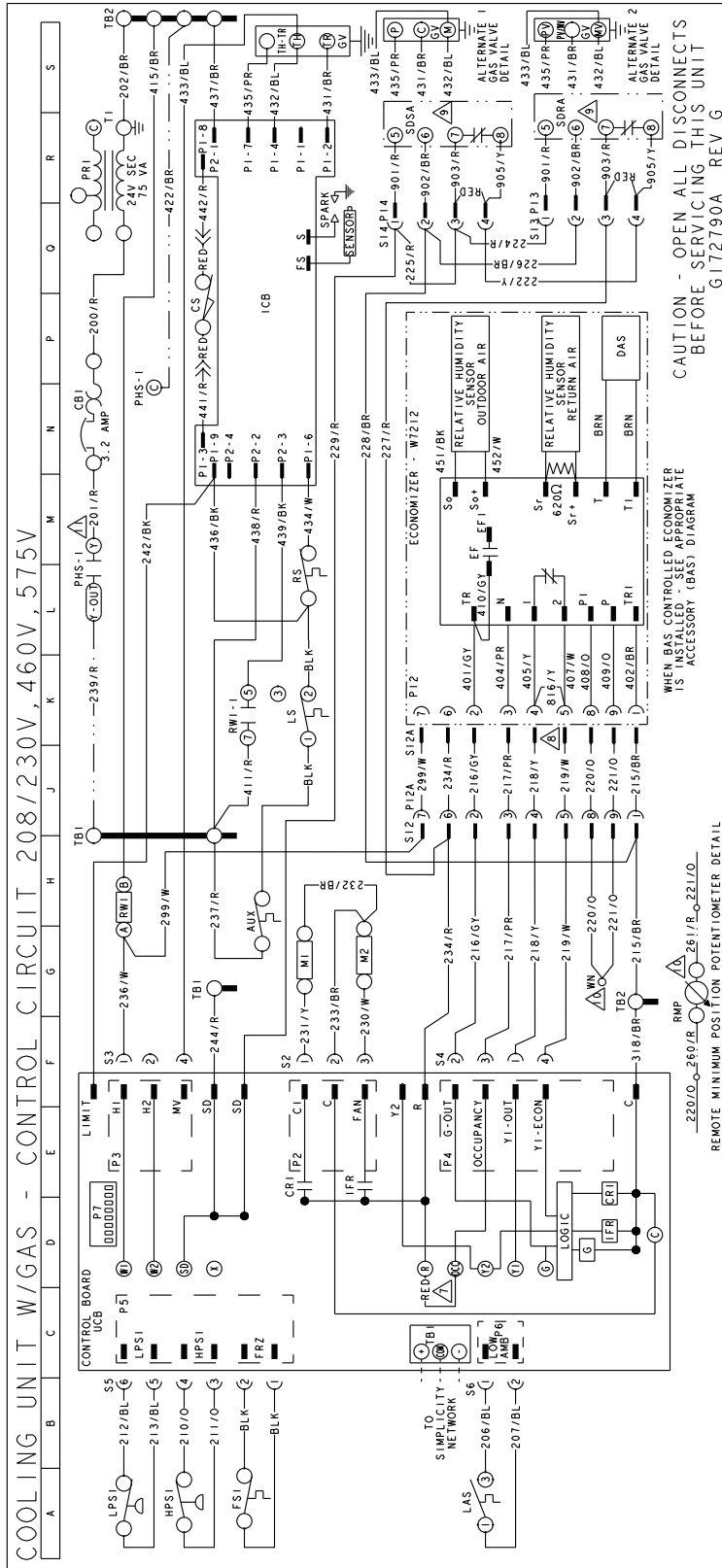
Typical ZF036 - 060 Belt Drive With 2 Stage Gas Heat Control Circuit 208/230V, 460V and 575V Diagram



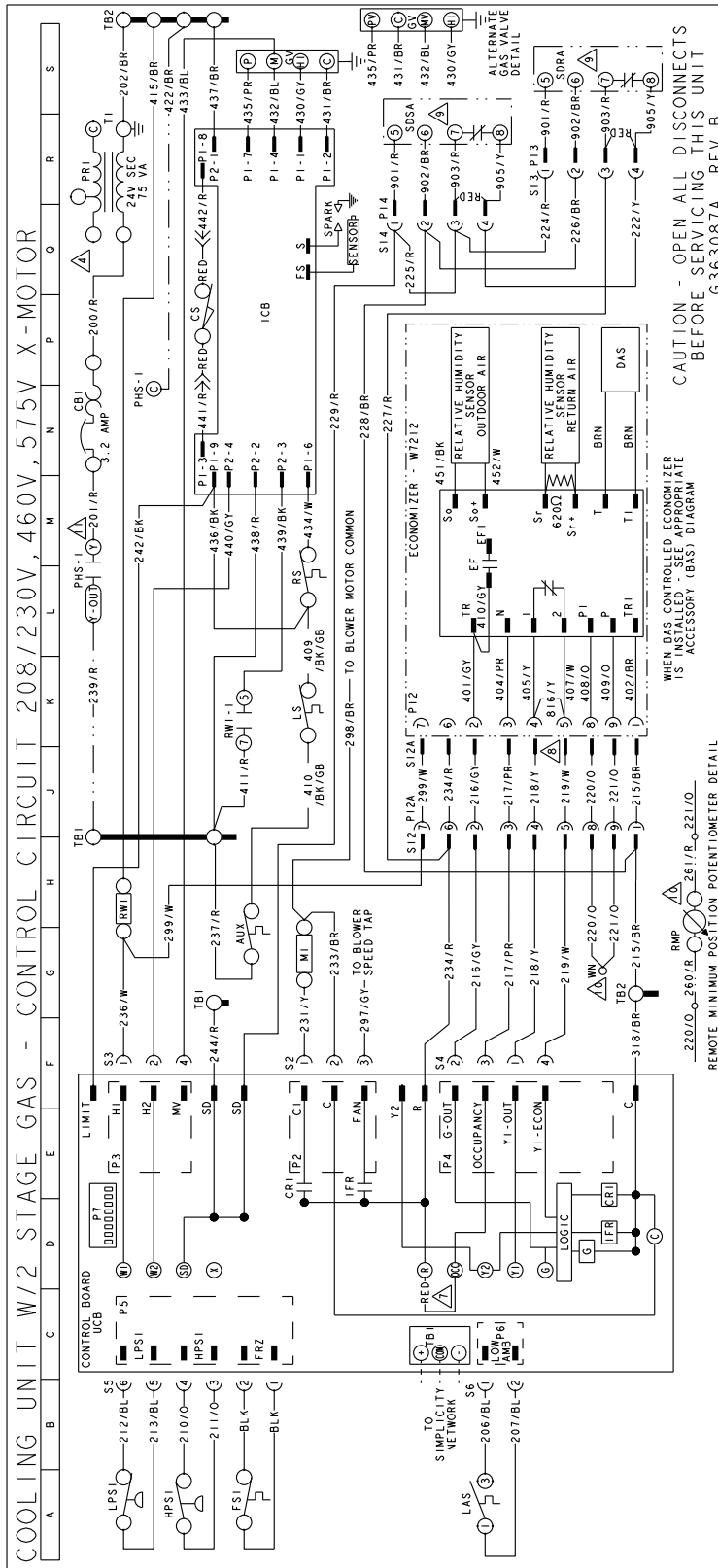




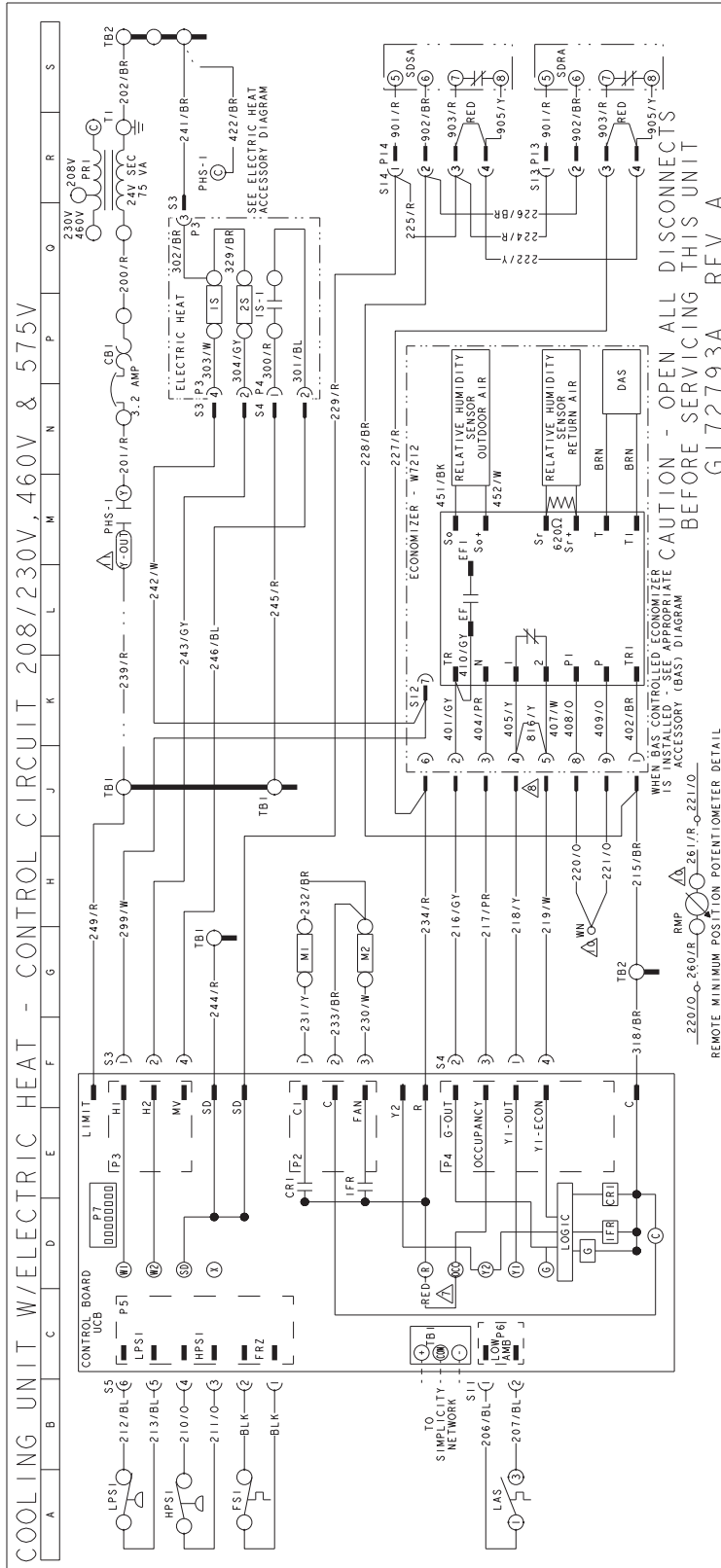
### Typical ZF072 Belt Drive With Single Stage Gas Heat Control Circuit 208/230V, 460V and 575V Diagram



Typical ZF072 Direct Drive With 2 Stage Gas Heat Control Circuit 208/230V, 460V, 575V X-MOTOR

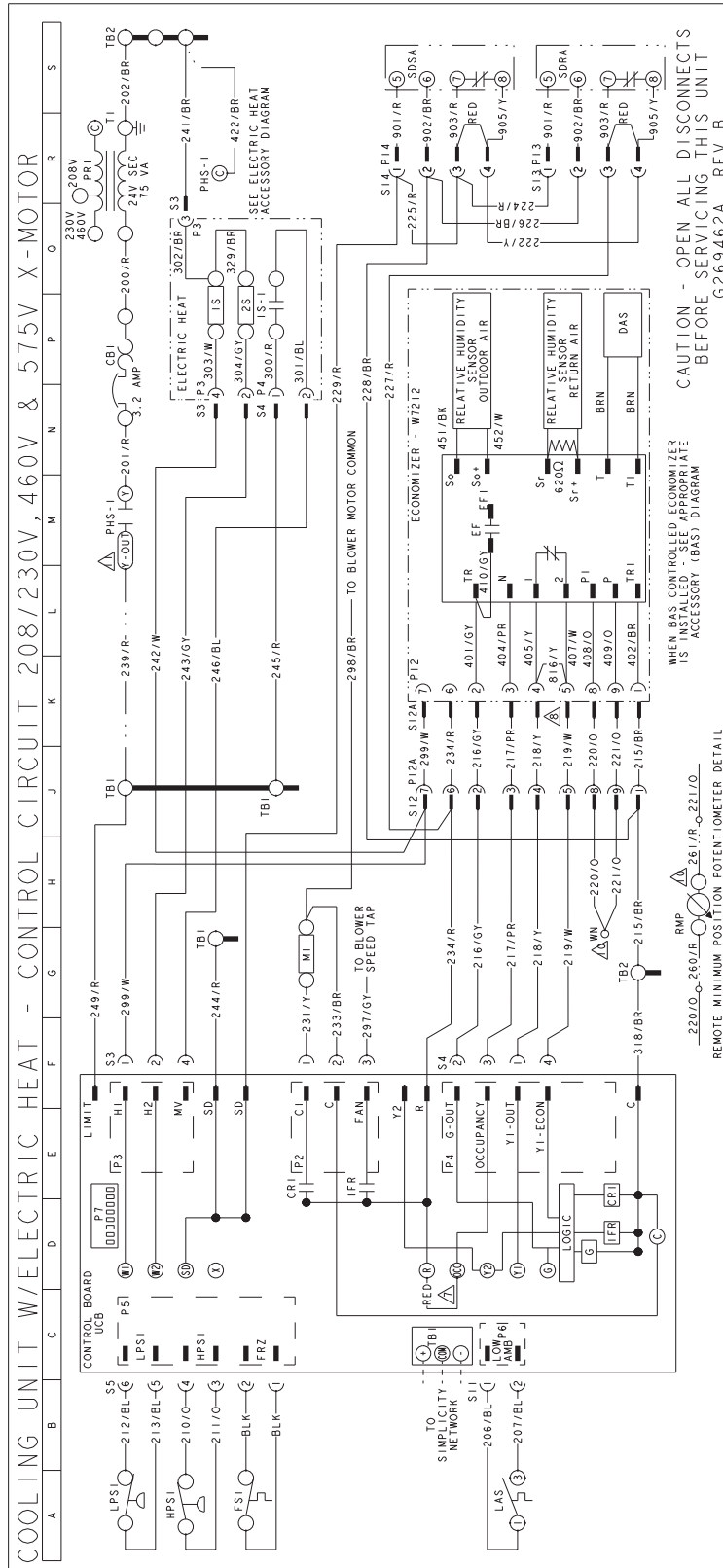


Typical ZF036 - 060 Belt Drive With Electric Heat Control Circuit 208/230V, 460V and 575V Diagram

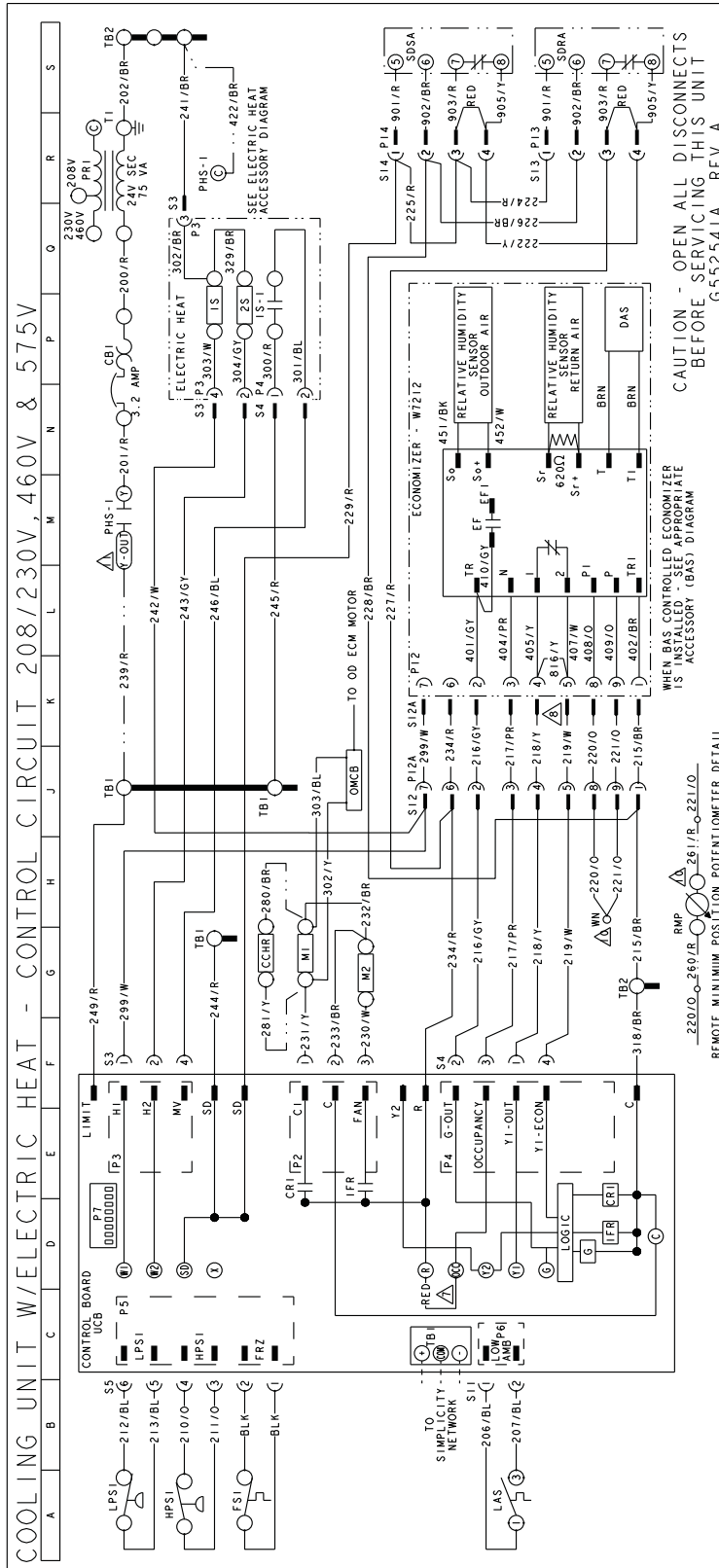




Typical ZF036 - 060 Direct Drive With Electric Heat Control Circuit 208/230V Diagram

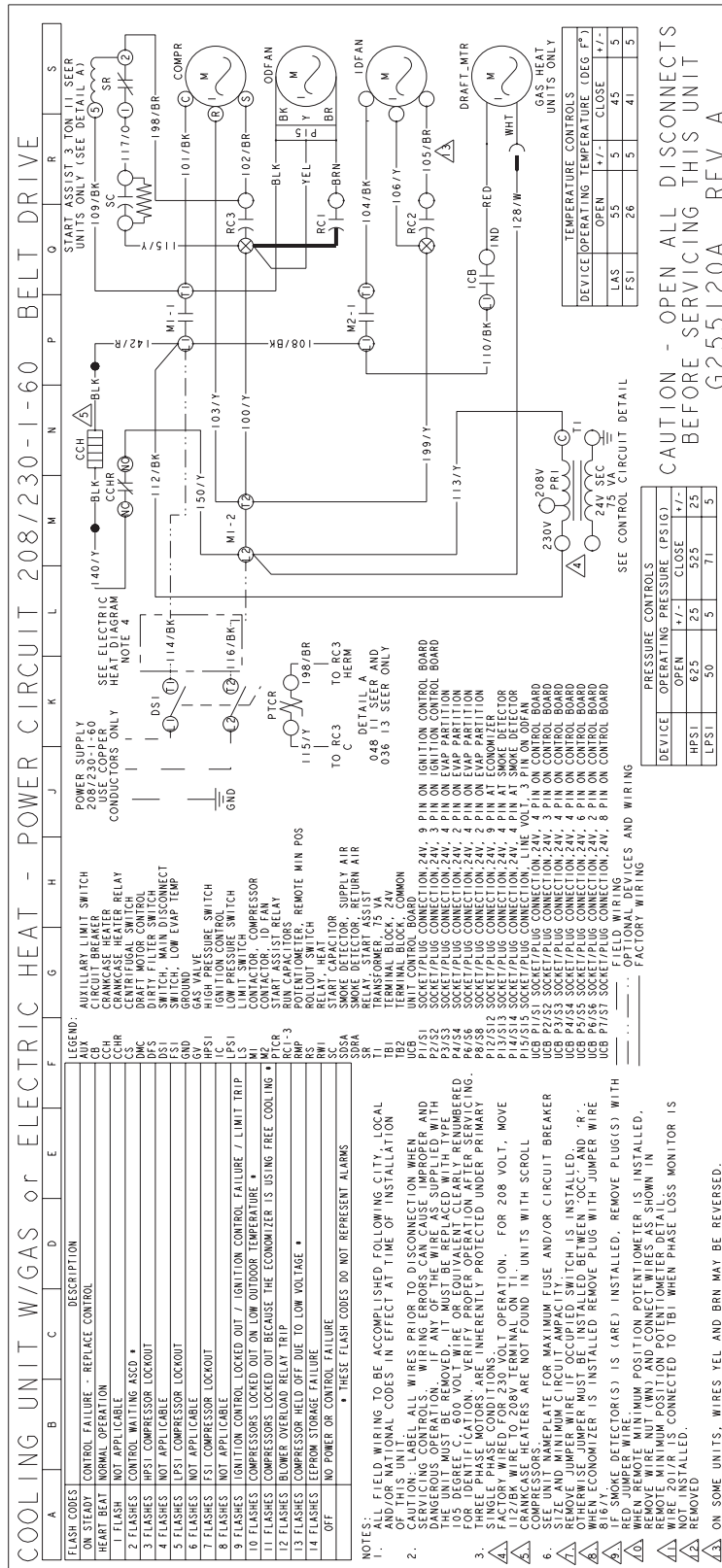


Typical ZF072 Belt Drive With Electric Heat Control Circuit 208/230V, 460V and 575V Diagram

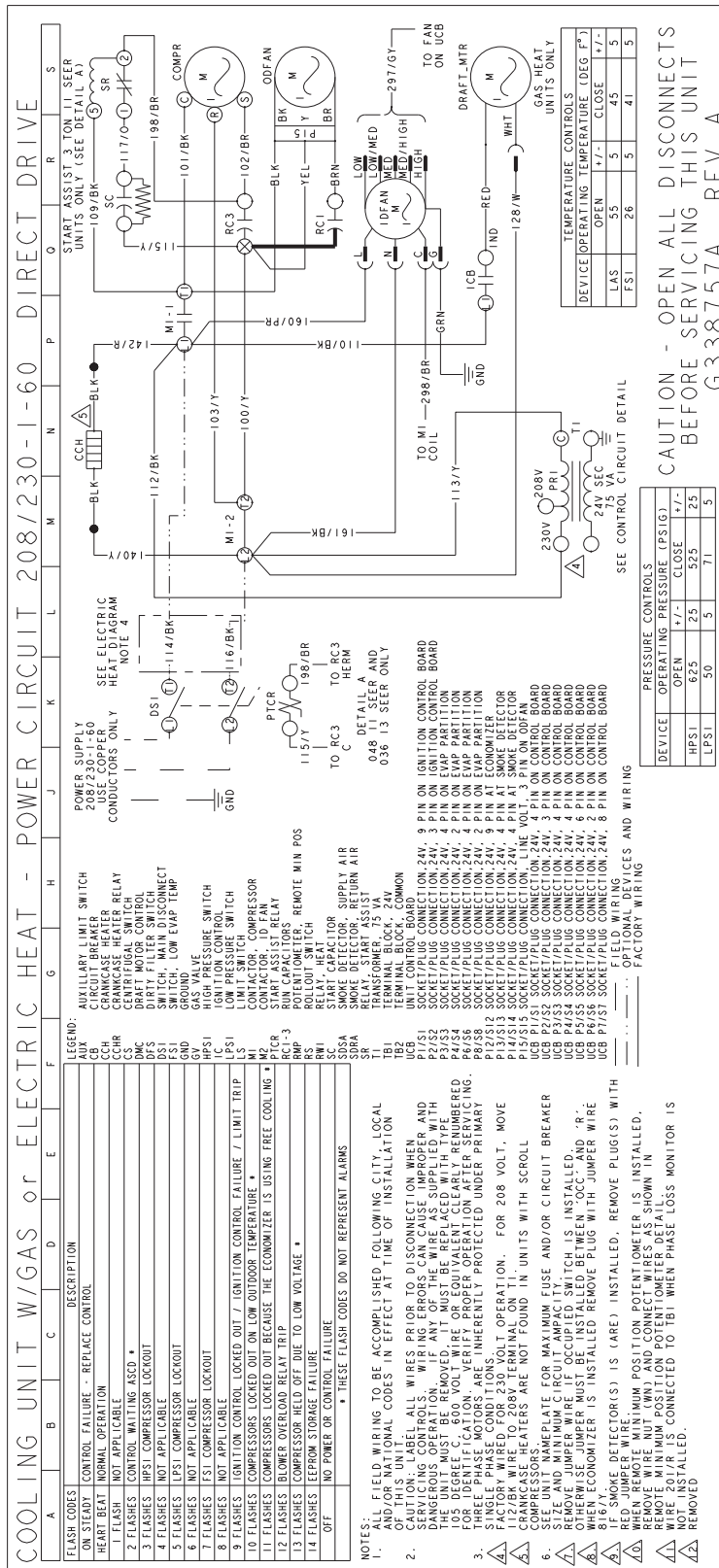




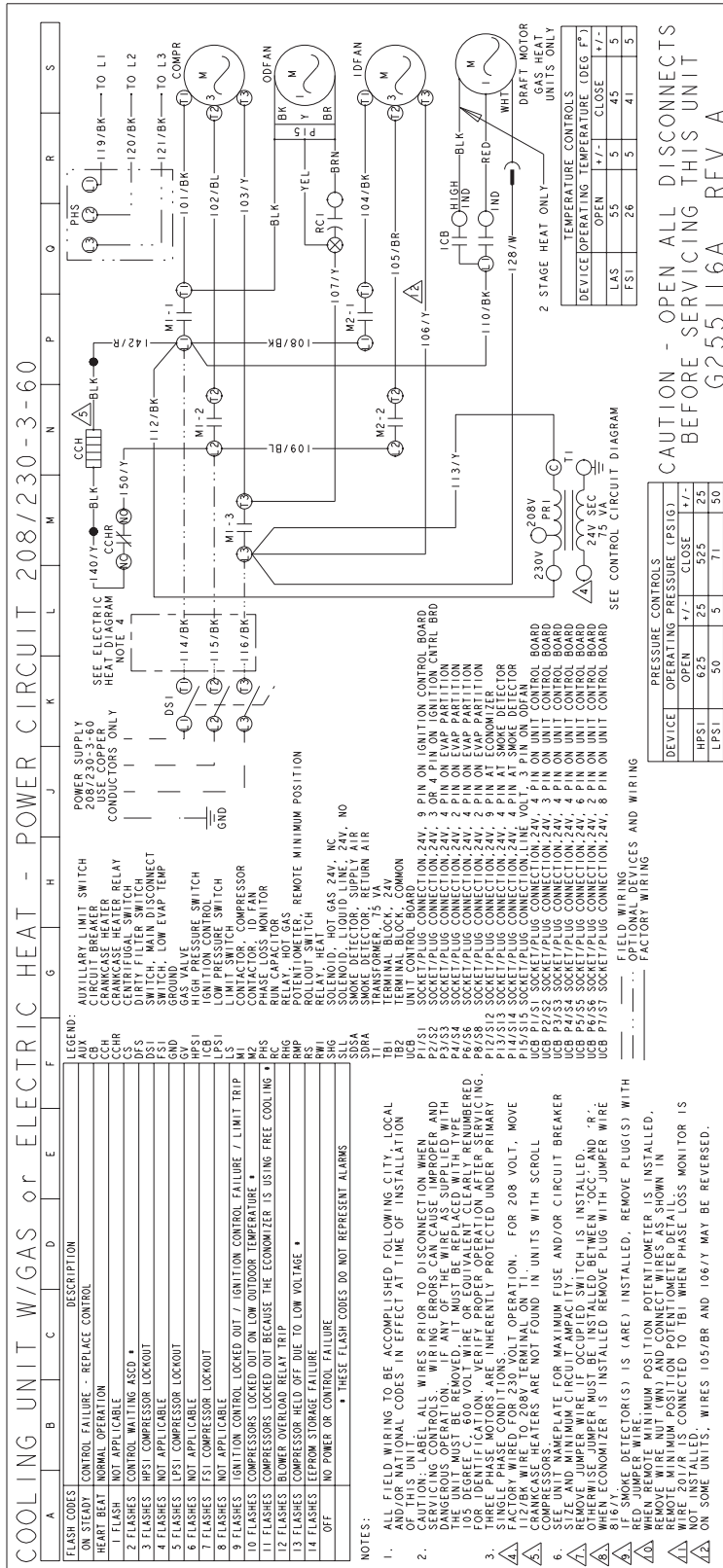
### Typical ZF/ZR036 - 060 Belt Drive Power Circuit 208/230-1-60 Diagram



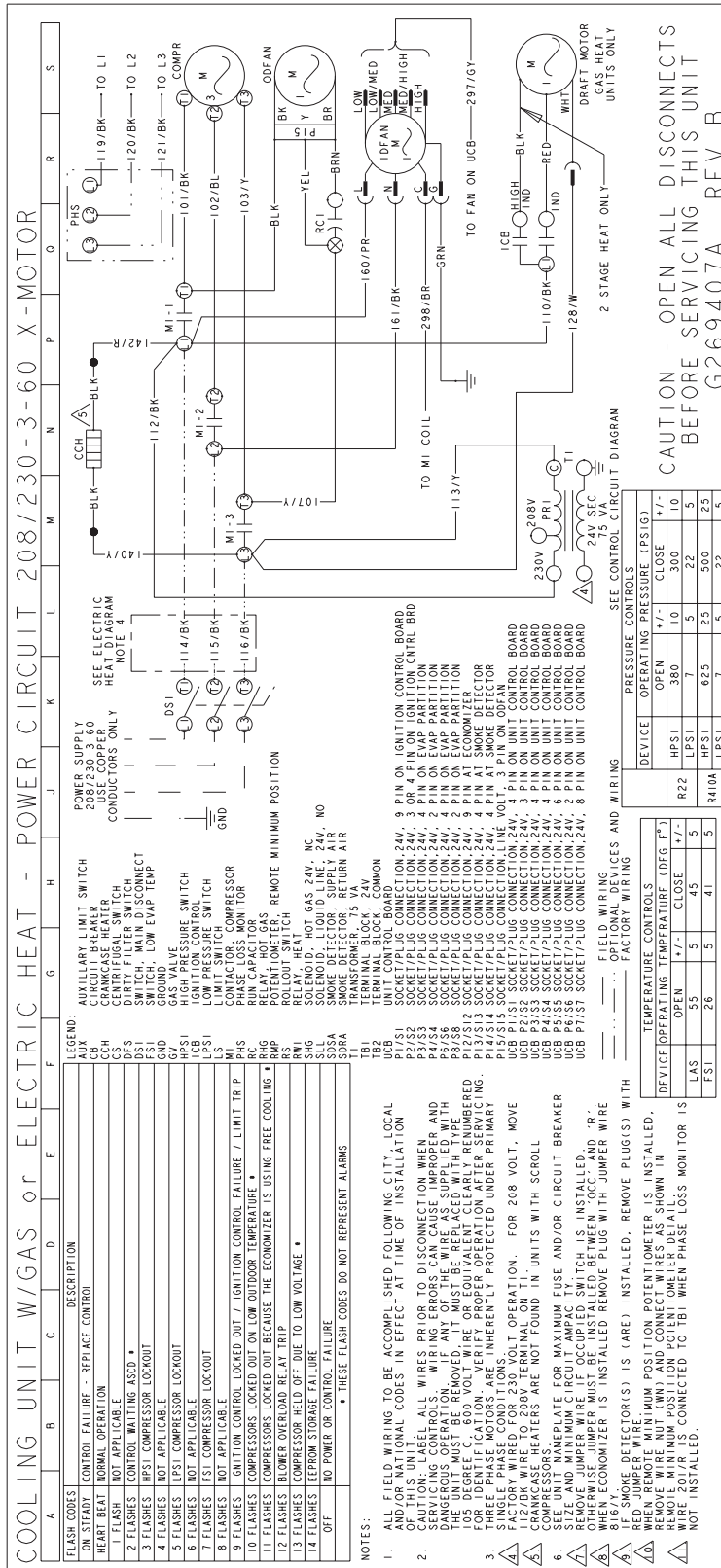
Typical ZF/ZR036 - 060 Direct Drive Power Circuit 208/230-1-60 Diagram



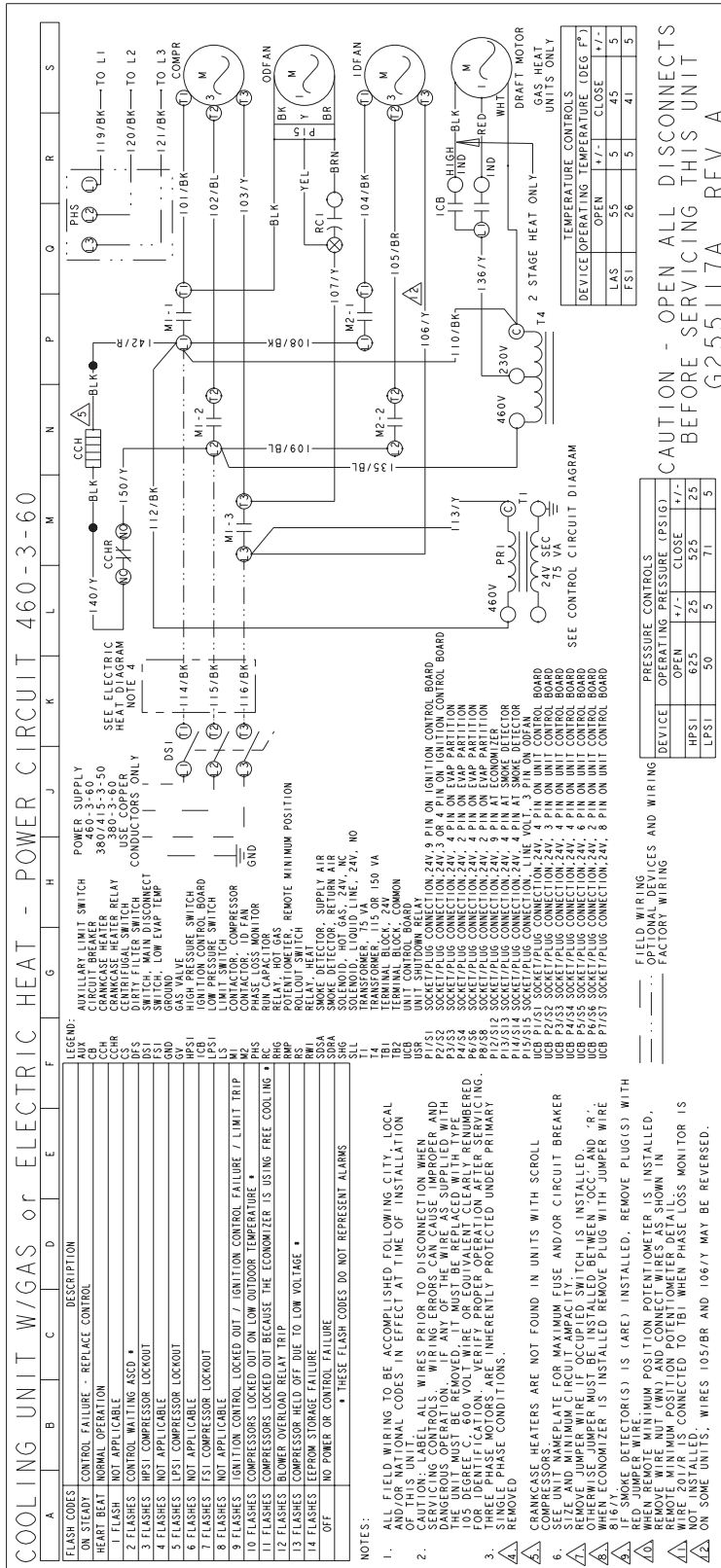
Typical ZF/ZR036 - 060 Belt Drive Power Circuit 208/230-3-60 Diagram



Typical ZF/ZR036 - 060 Direct Drive Power Circuit 208/230-3-60 Diagram

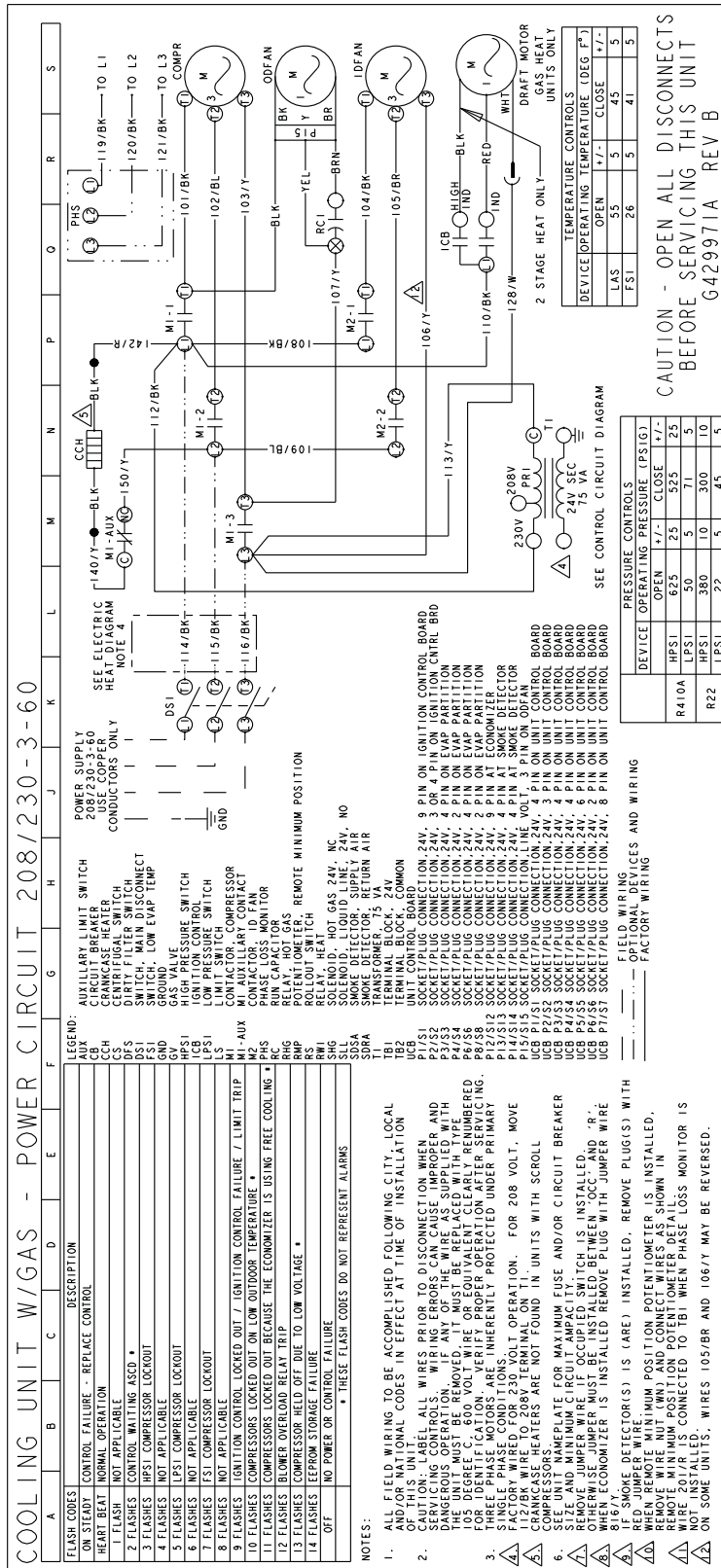


# Typical ZF/ZR036 - 060 Belt Drive Power Circuit 460-3-60 Diagram



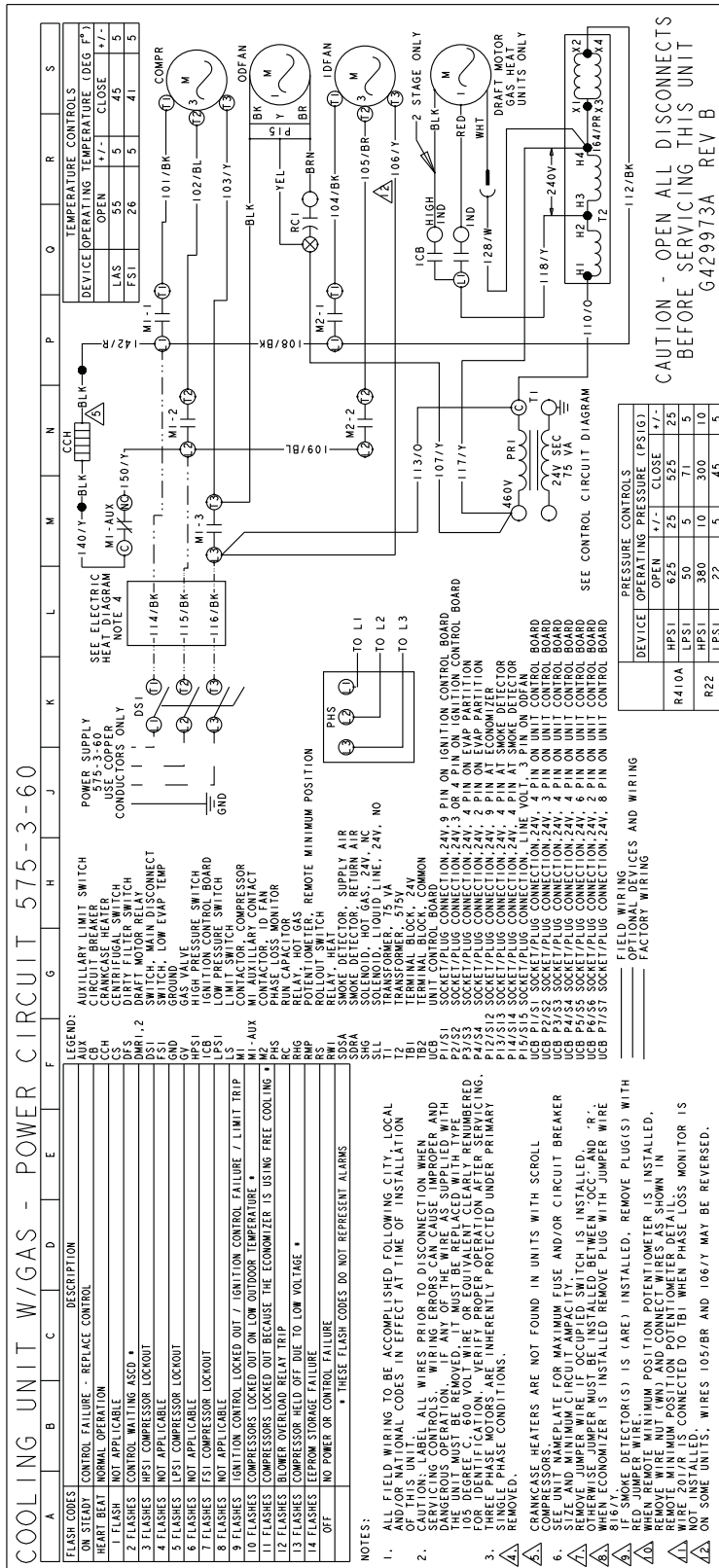


Typical ZF072 Belt Drive with Gas Heat Power Circuit 208/230V Diagram

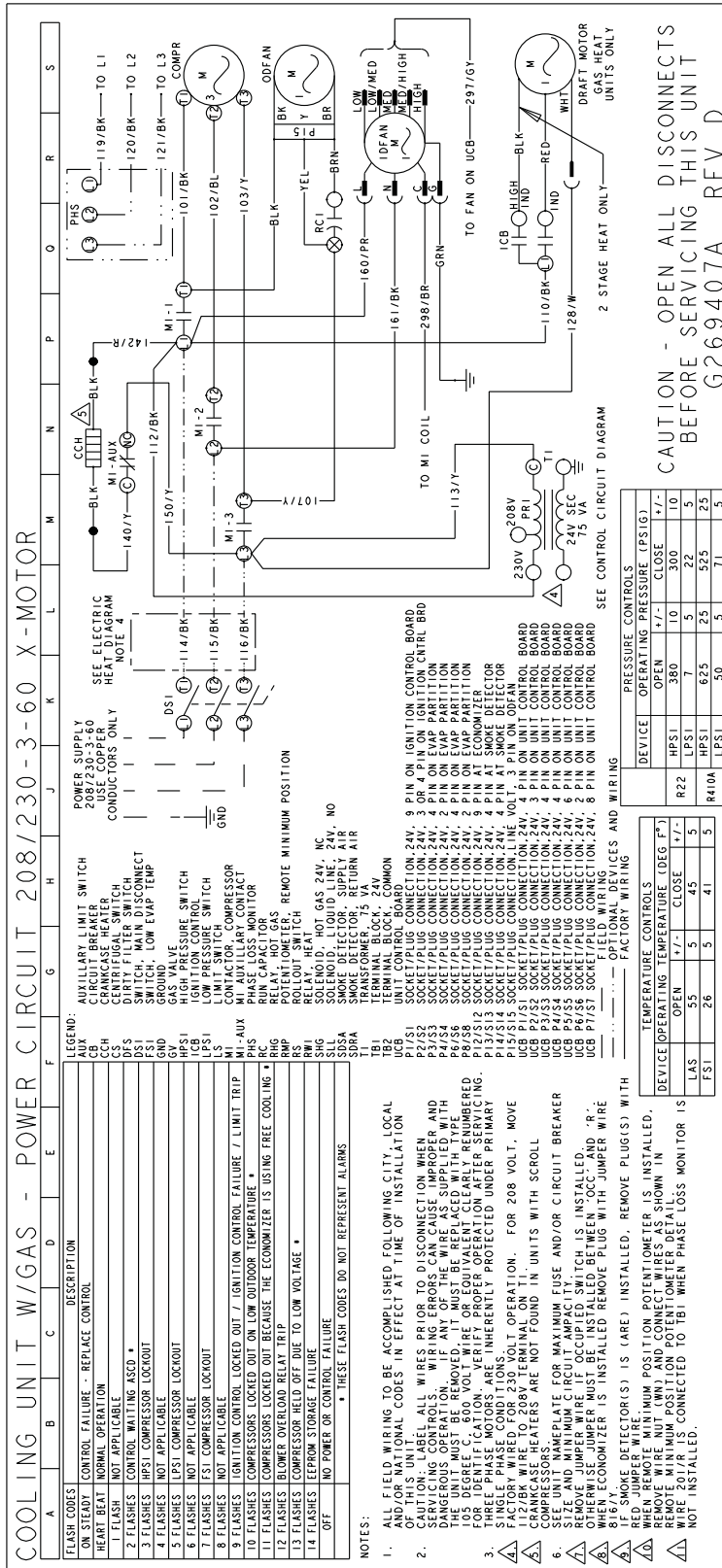




Typical ZF072 Belt Drive with Gas Heat Power Circuit 575V Diagram

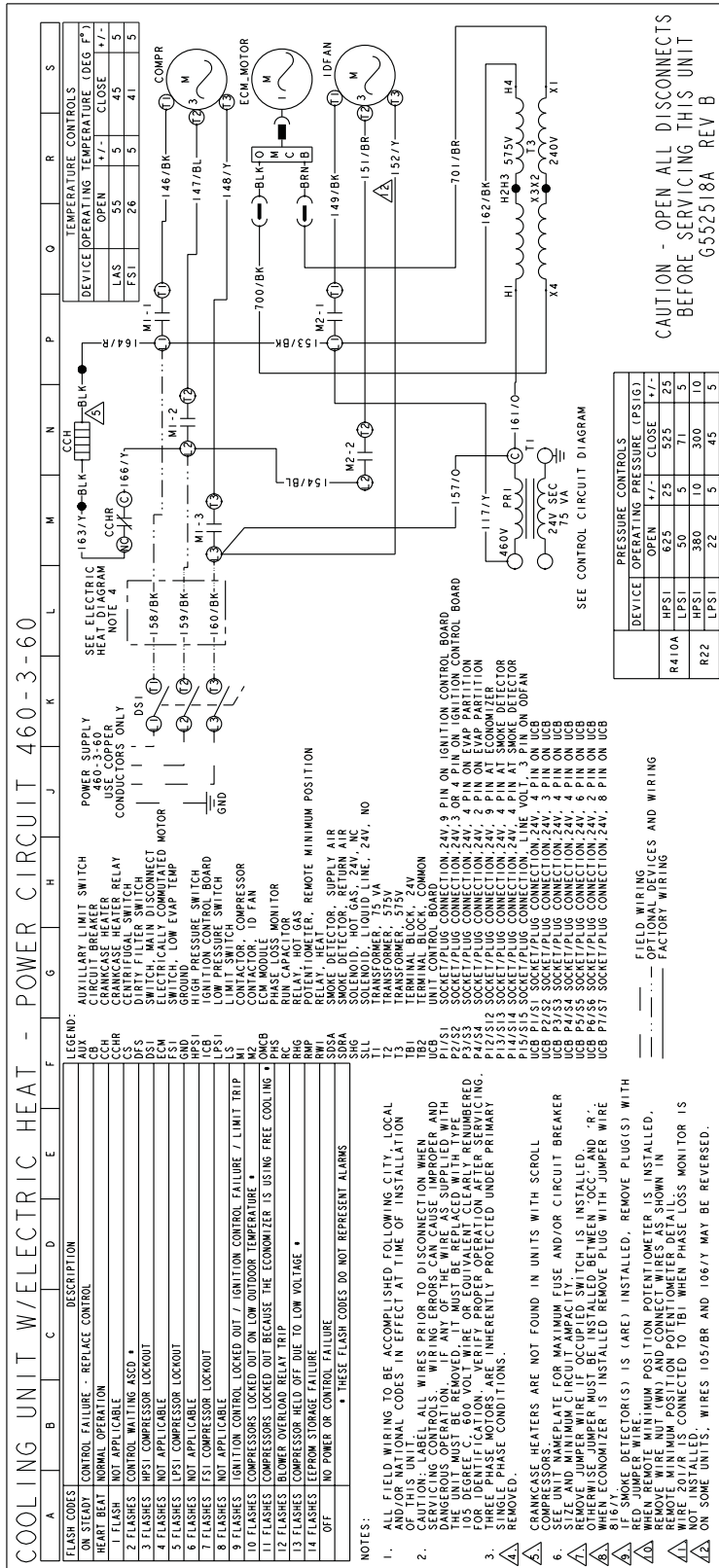


Typical ZF072 Direct Drive with Gas Heat Power Circuit 208/230V Diagram

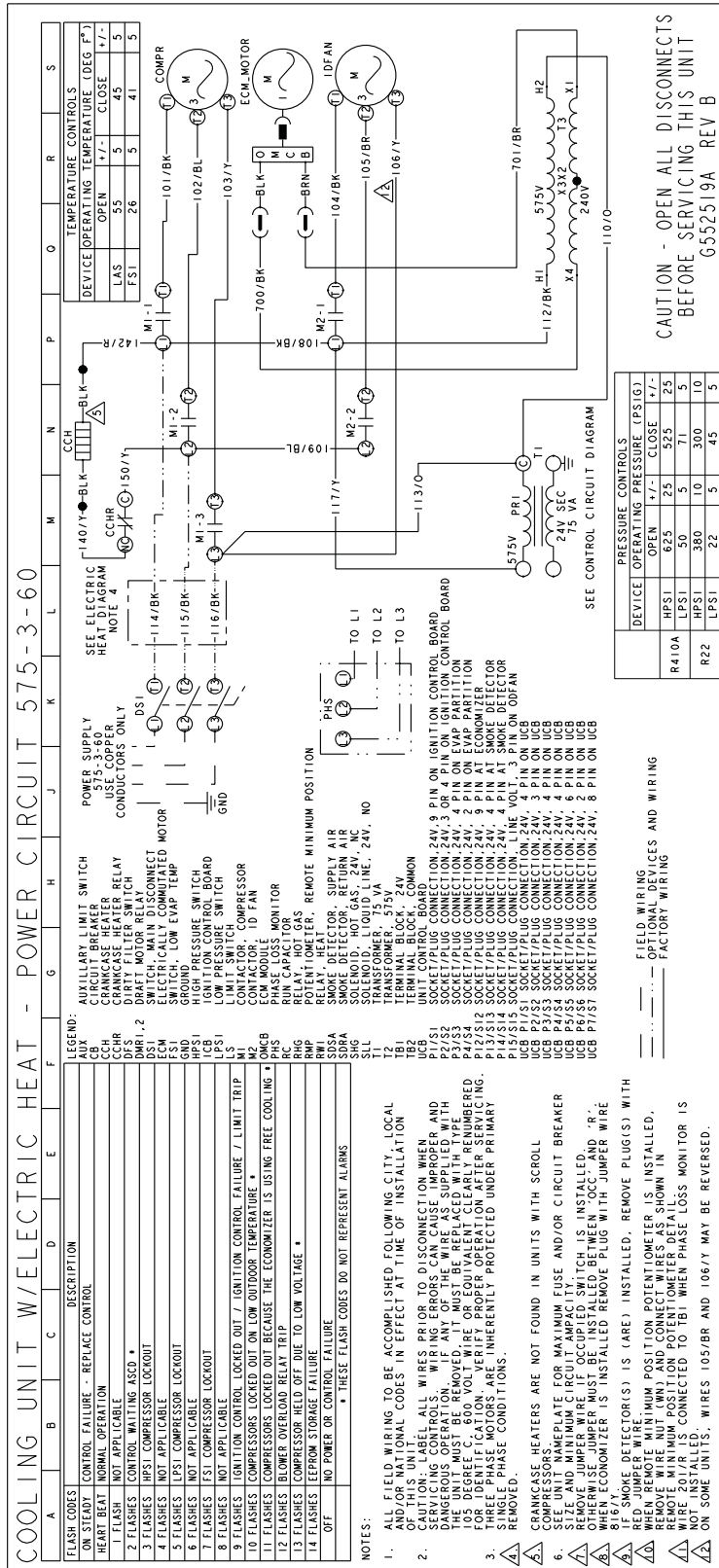




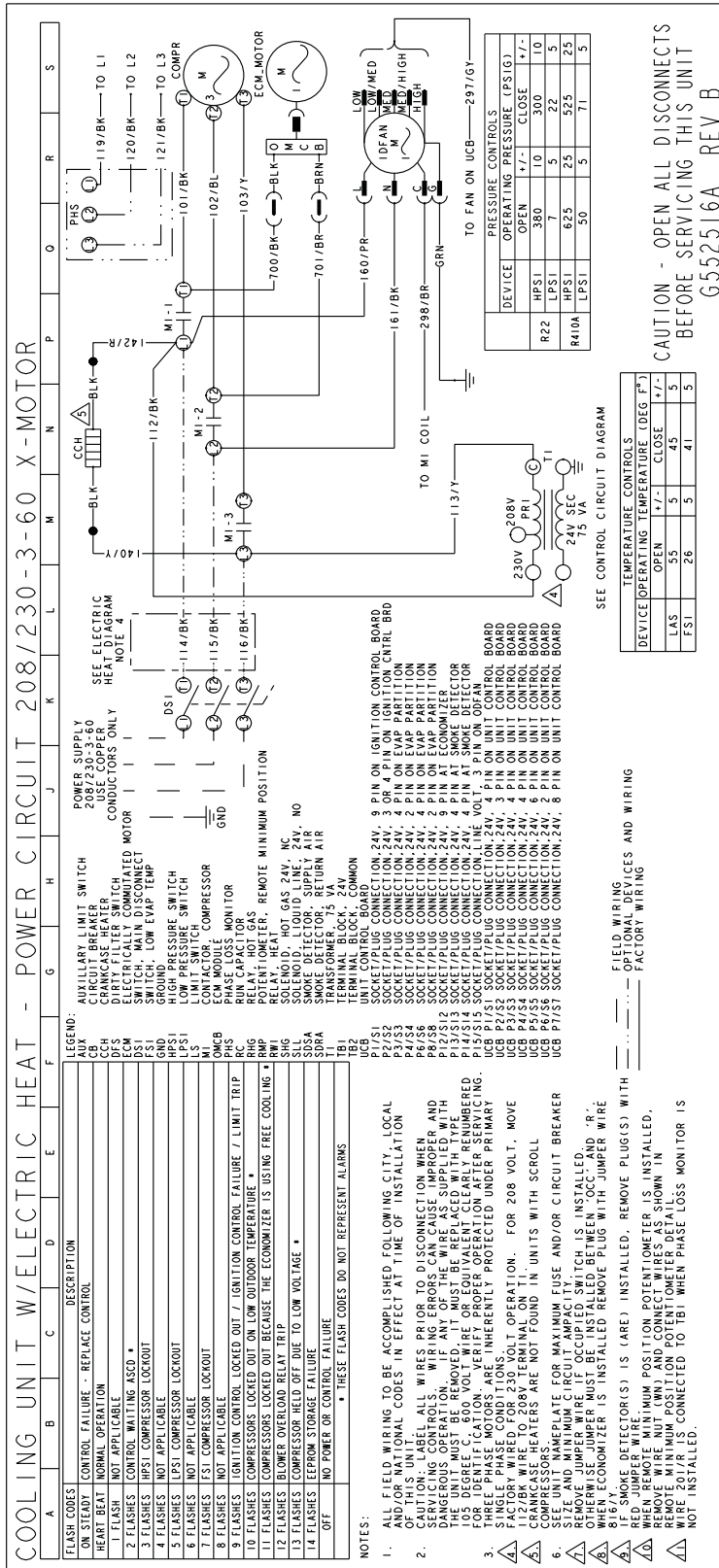
Typical ZF072 Belt Drive with Electric Heat Power Circuit 460V Diagram



Typical ZF072 Belt Drive with Electric Heat 575V Diagram

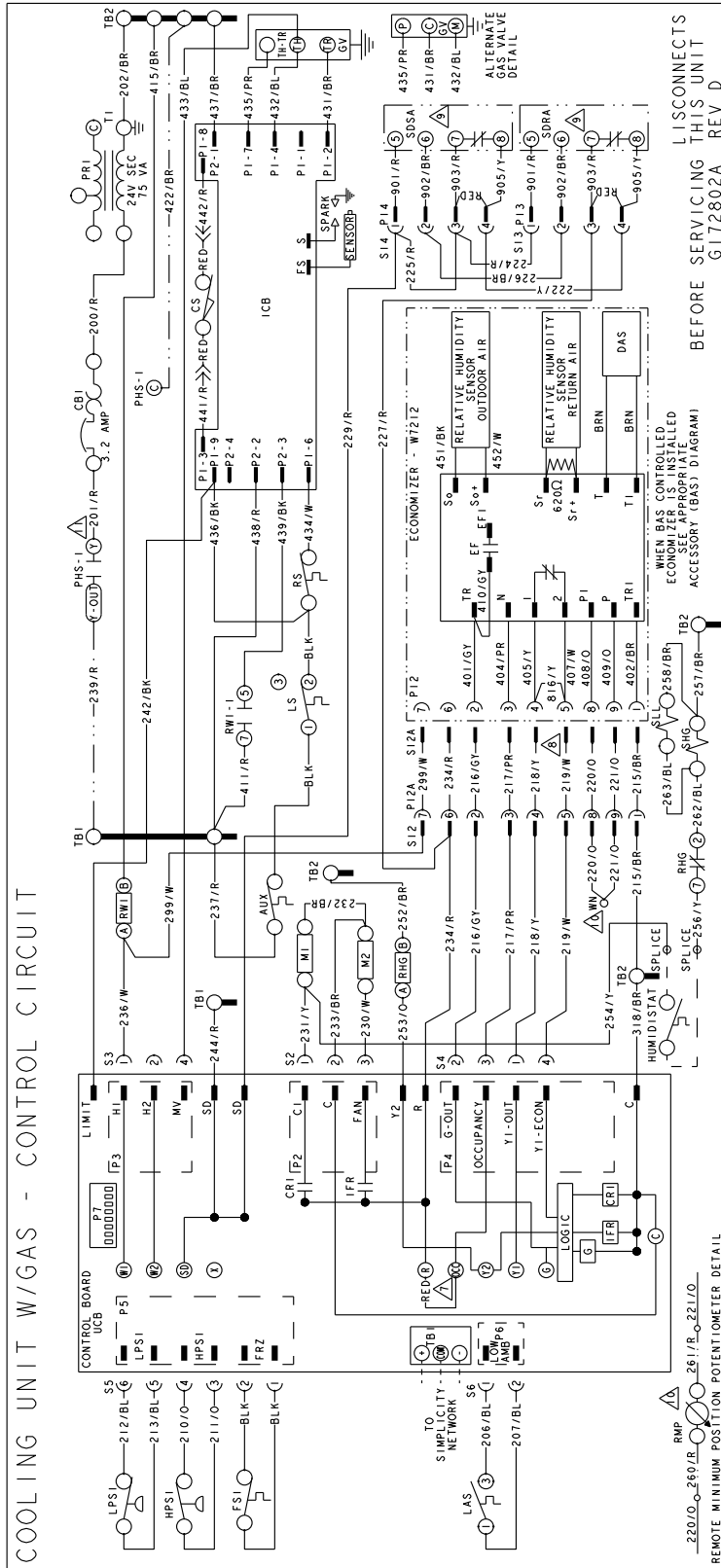


Typical ZF072 Direct Drive with Electric Heat 208/230V Diagram

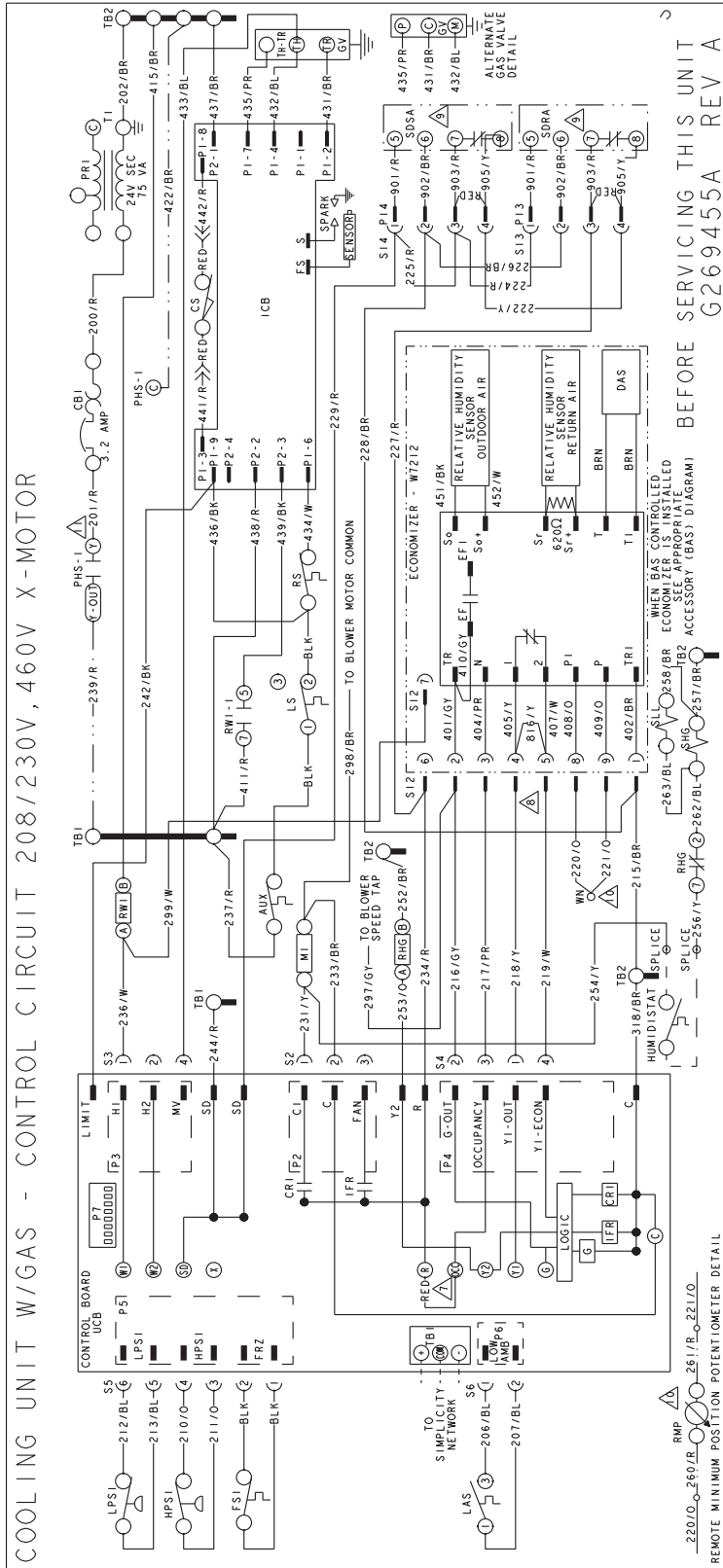




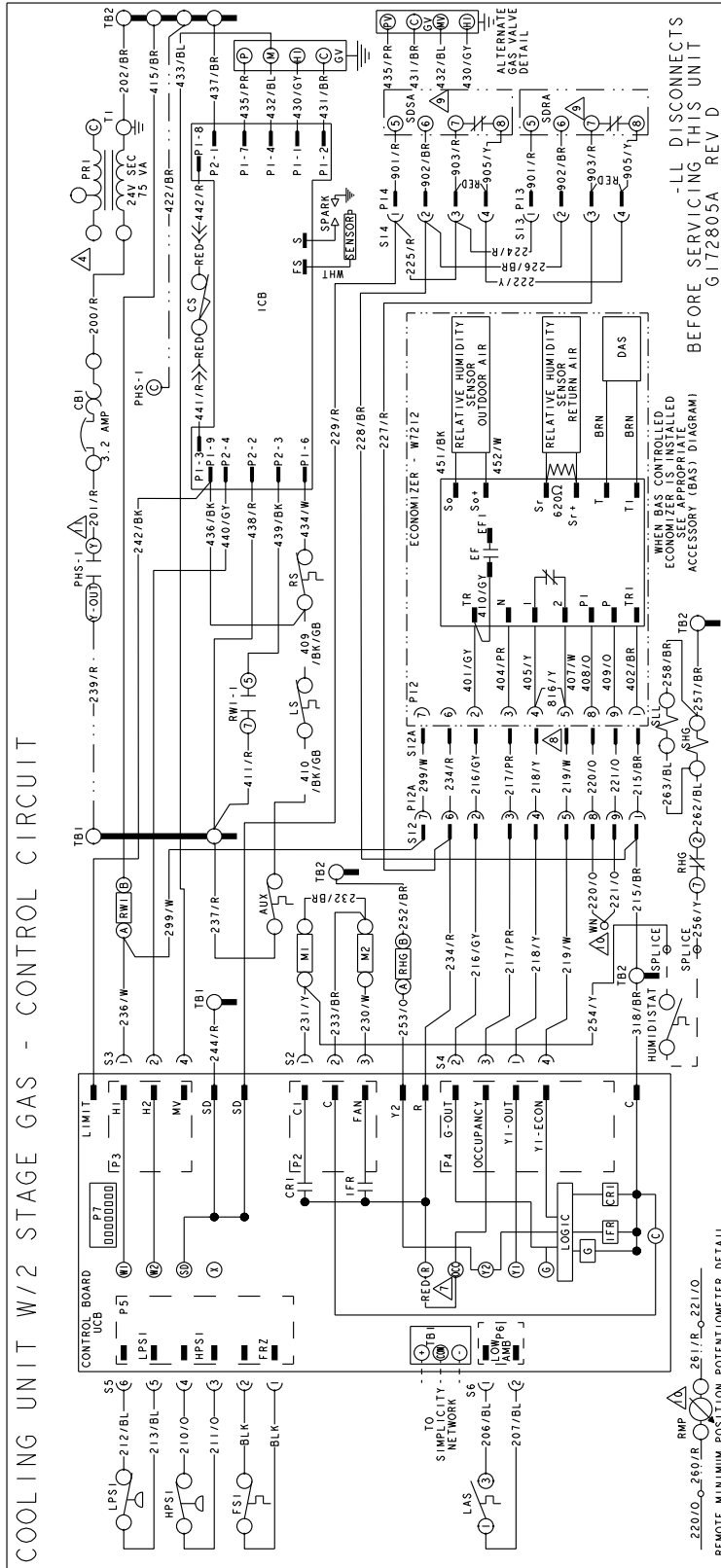
Typical ZR Belt Drive With Single Stage Gas Heat Control Circuit 208/230V, 460 and 575V Diagram



### Typical ZR Direct Drive With Single Stage Gas Heat Control Circuit 208/230V Diagram

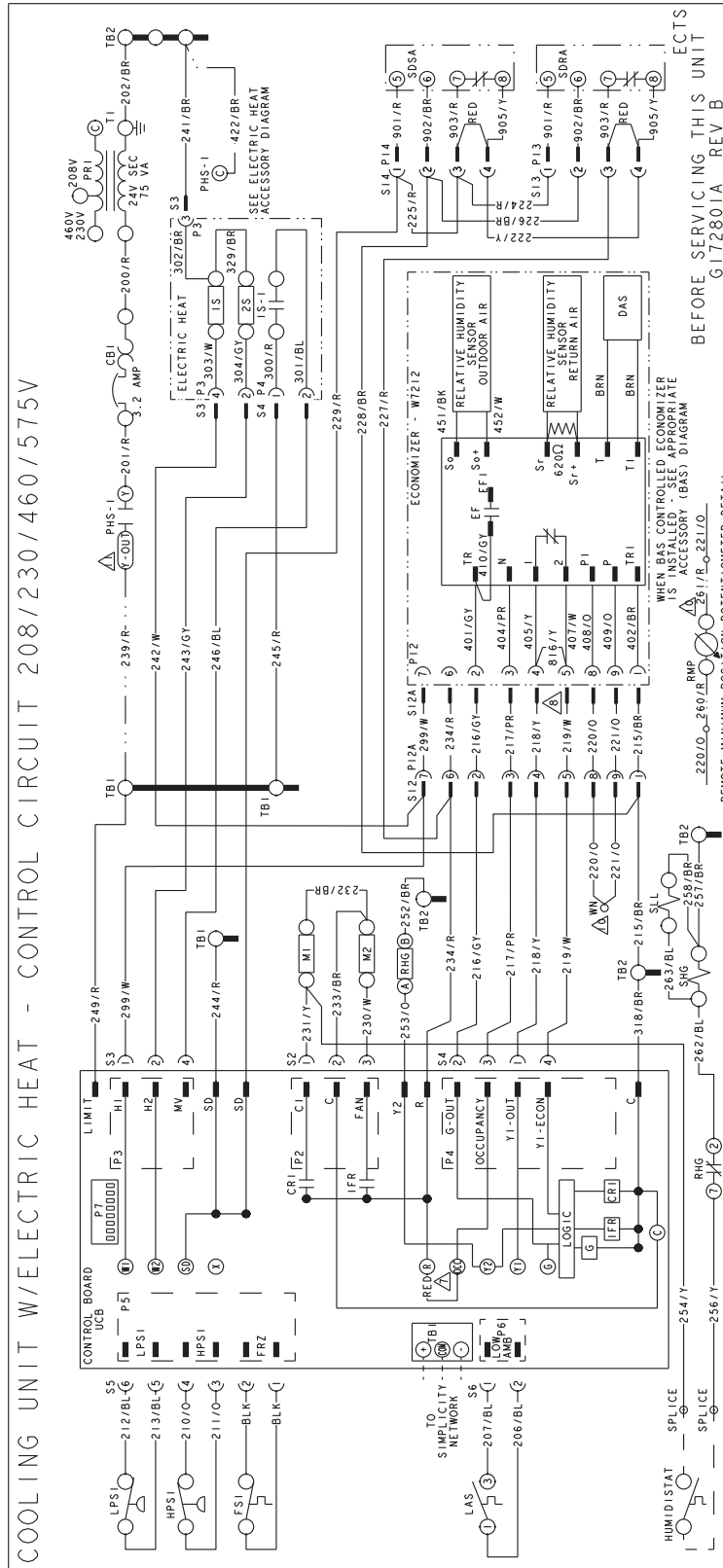


Typical ZR Belt Drive With 2 Stage Gas Heat Control 208/230V, 460 and 575V Diagram

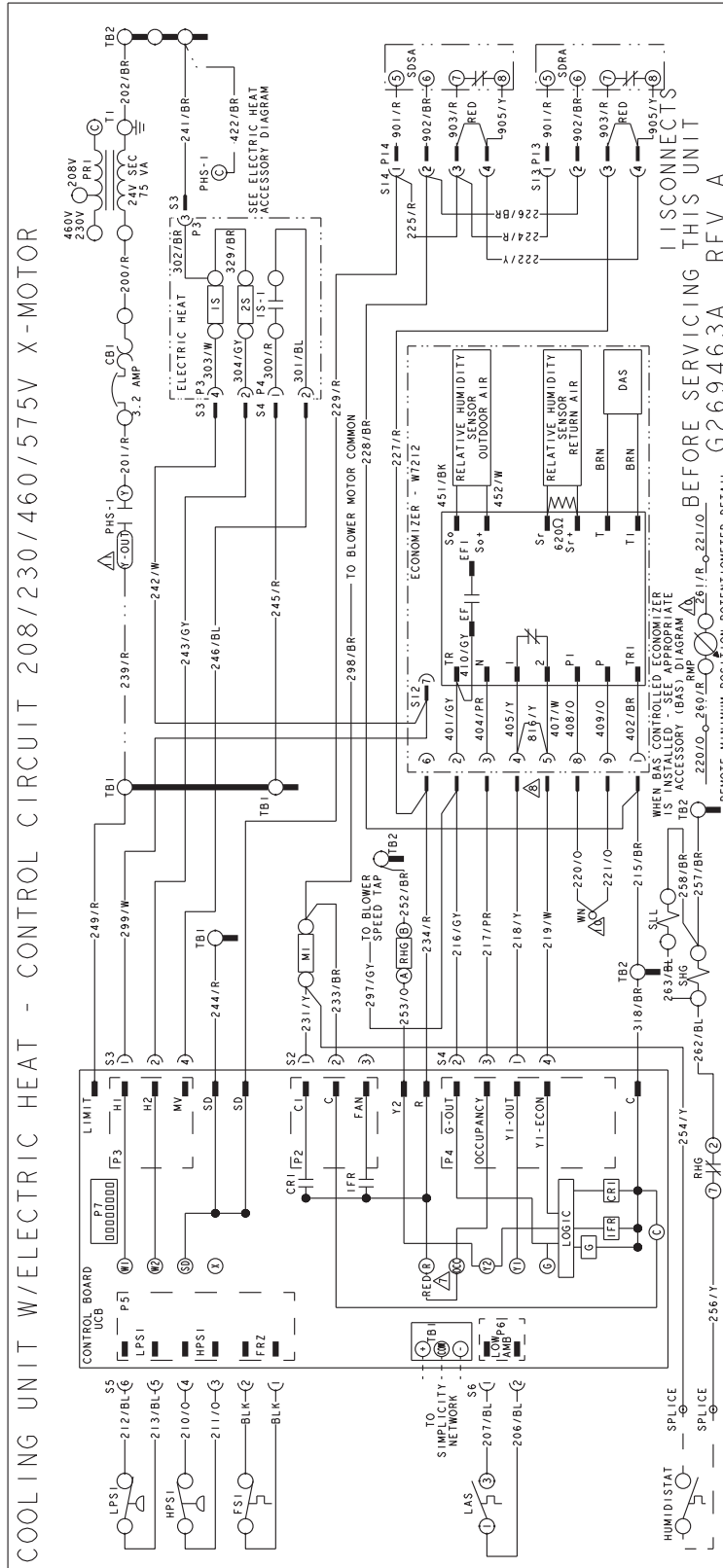




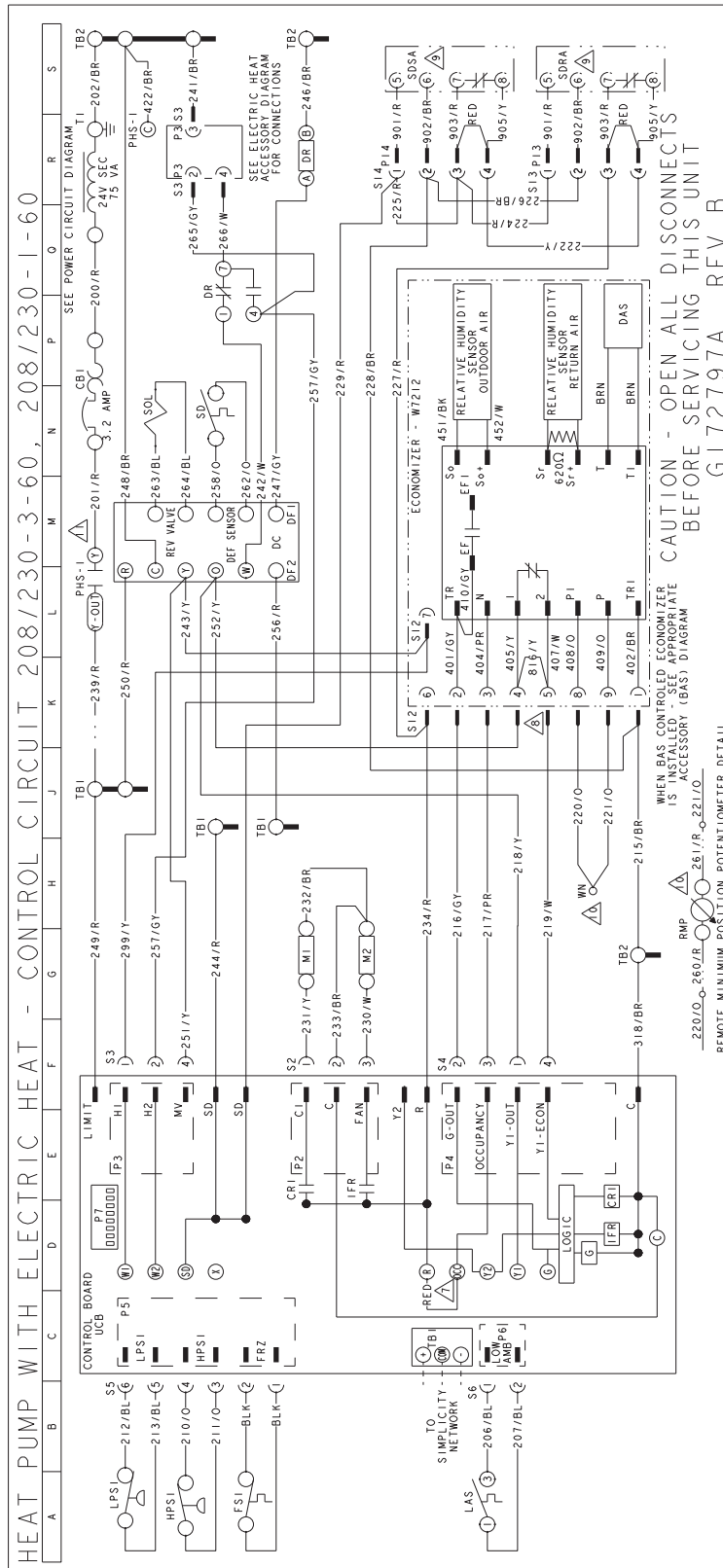
Typical ZR Belt Drive With Electric Heat Control Circuit 208/230V, 460 and 575V Diagram



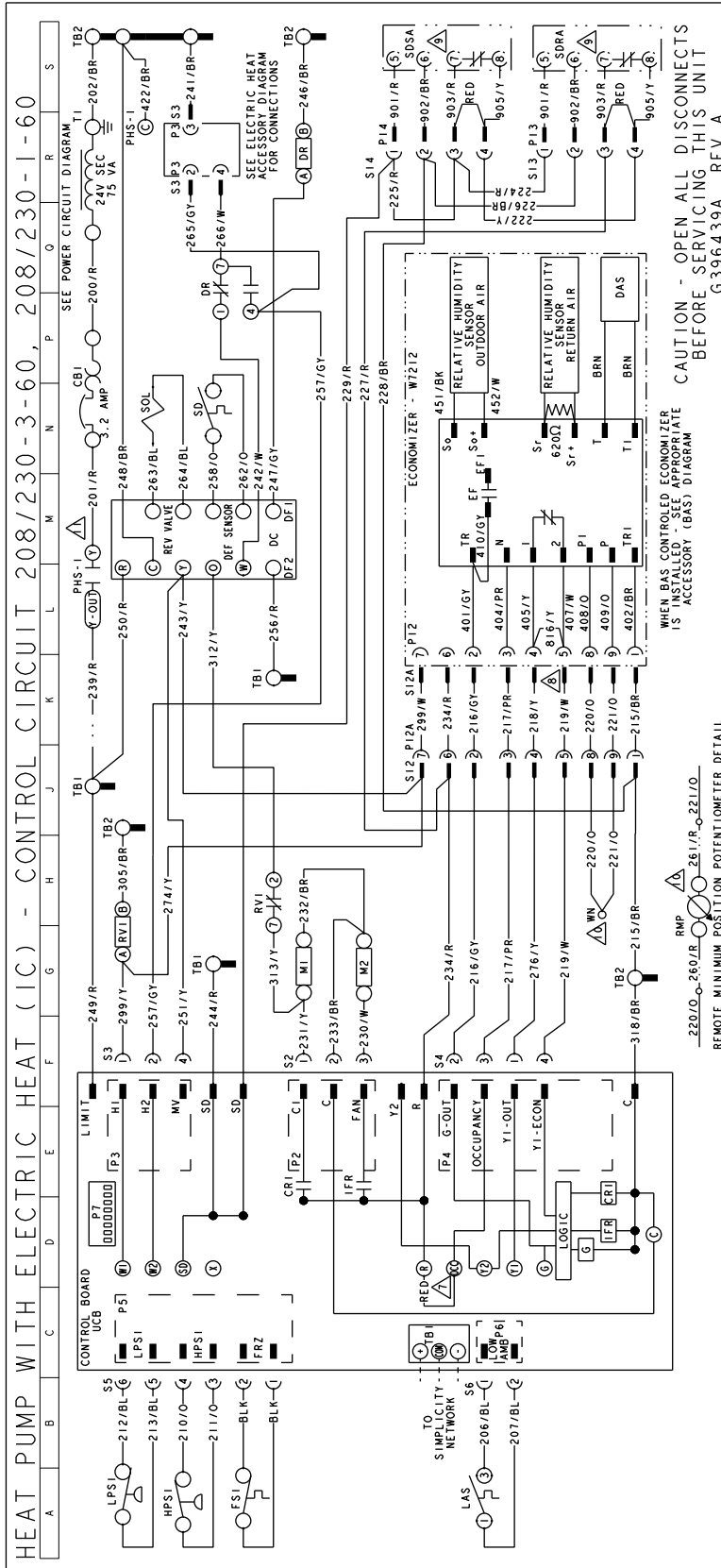
Typical ZR Direct Drive With Electric Heat Control Circuit 208/230V Diagram



Typical XP036-048 Belt Drive With Electric Heat Control Circuit 208/230-1-60, 208/230-3-60 Diagram

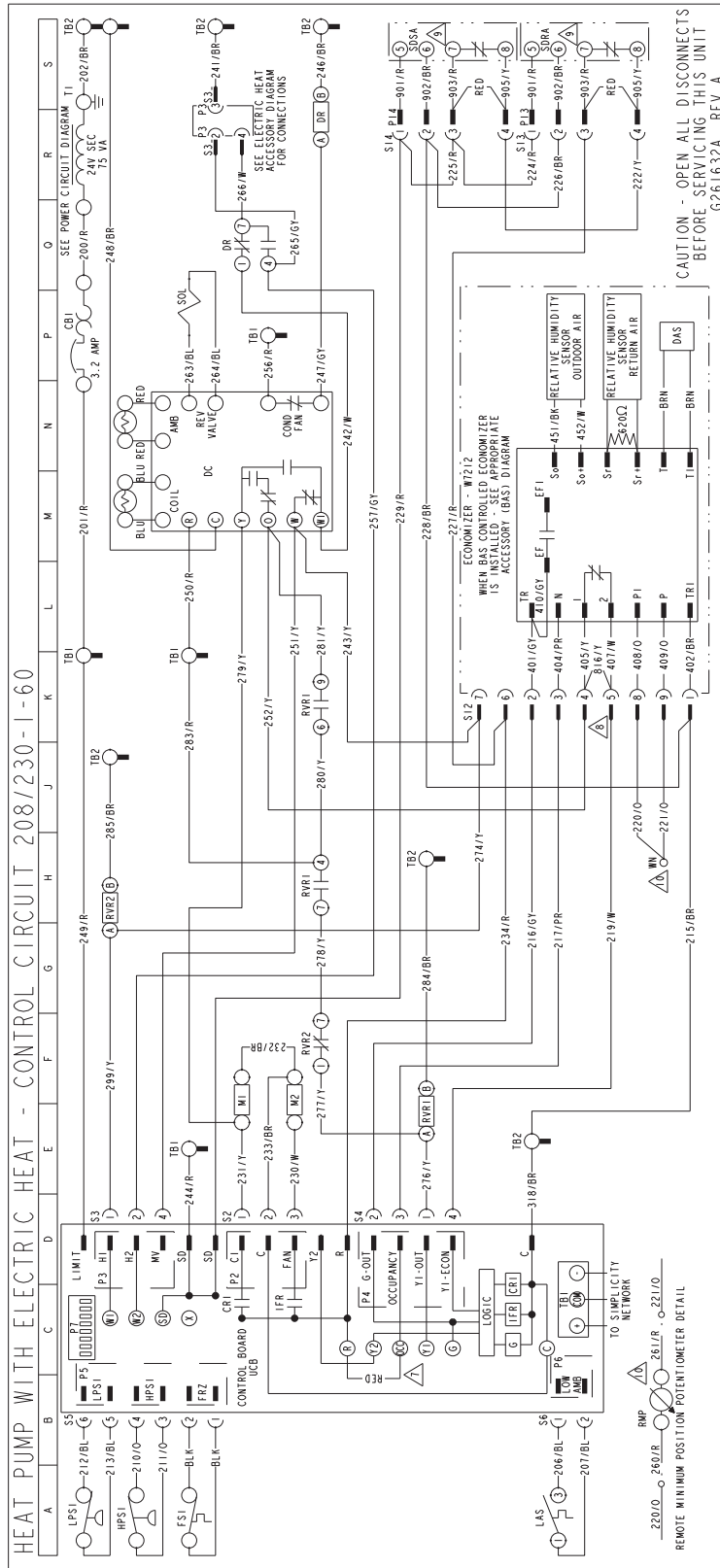


Typical XP036-048 Belt Drive With Electric Heat, Intelli-Comfort Control Circuit 208/230-1-60, 208/230-3-60 Diagram

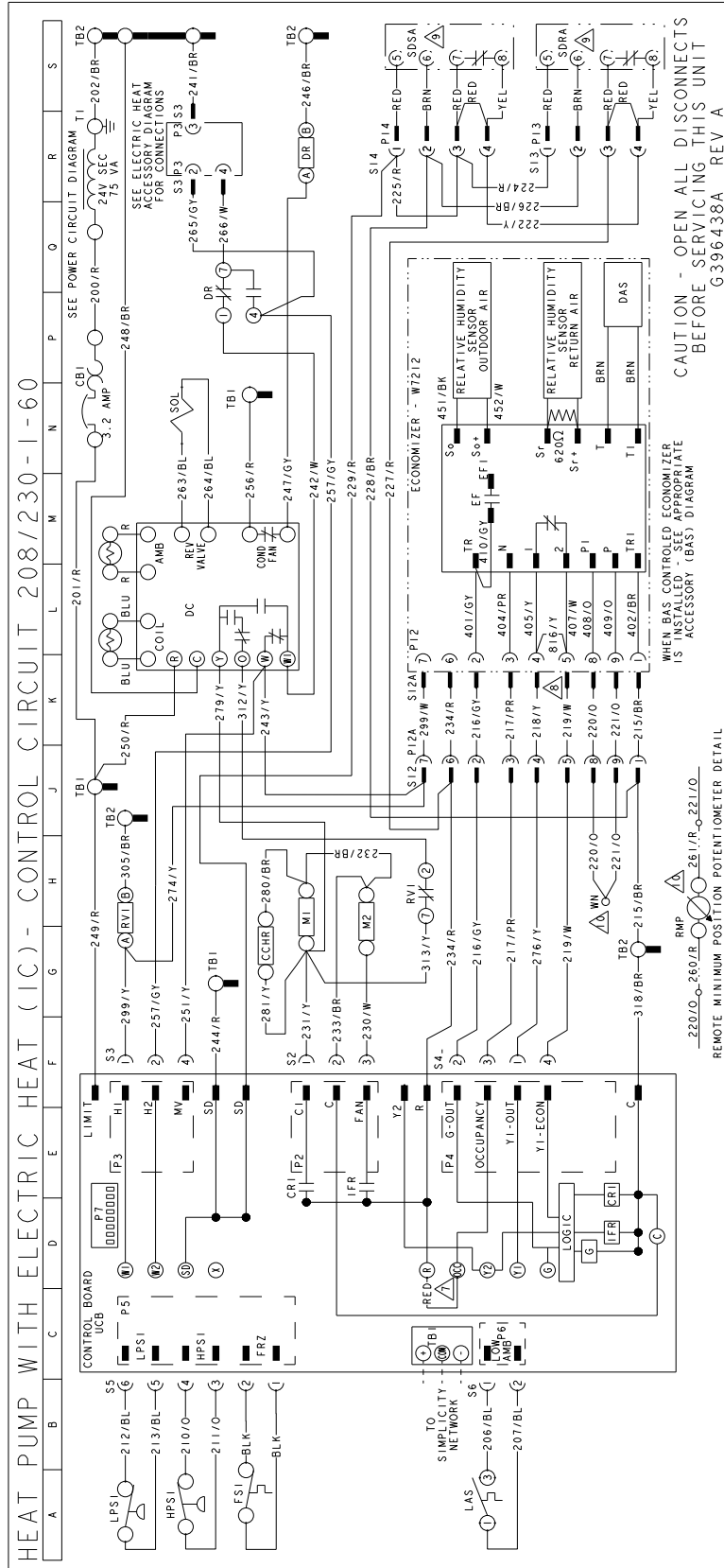




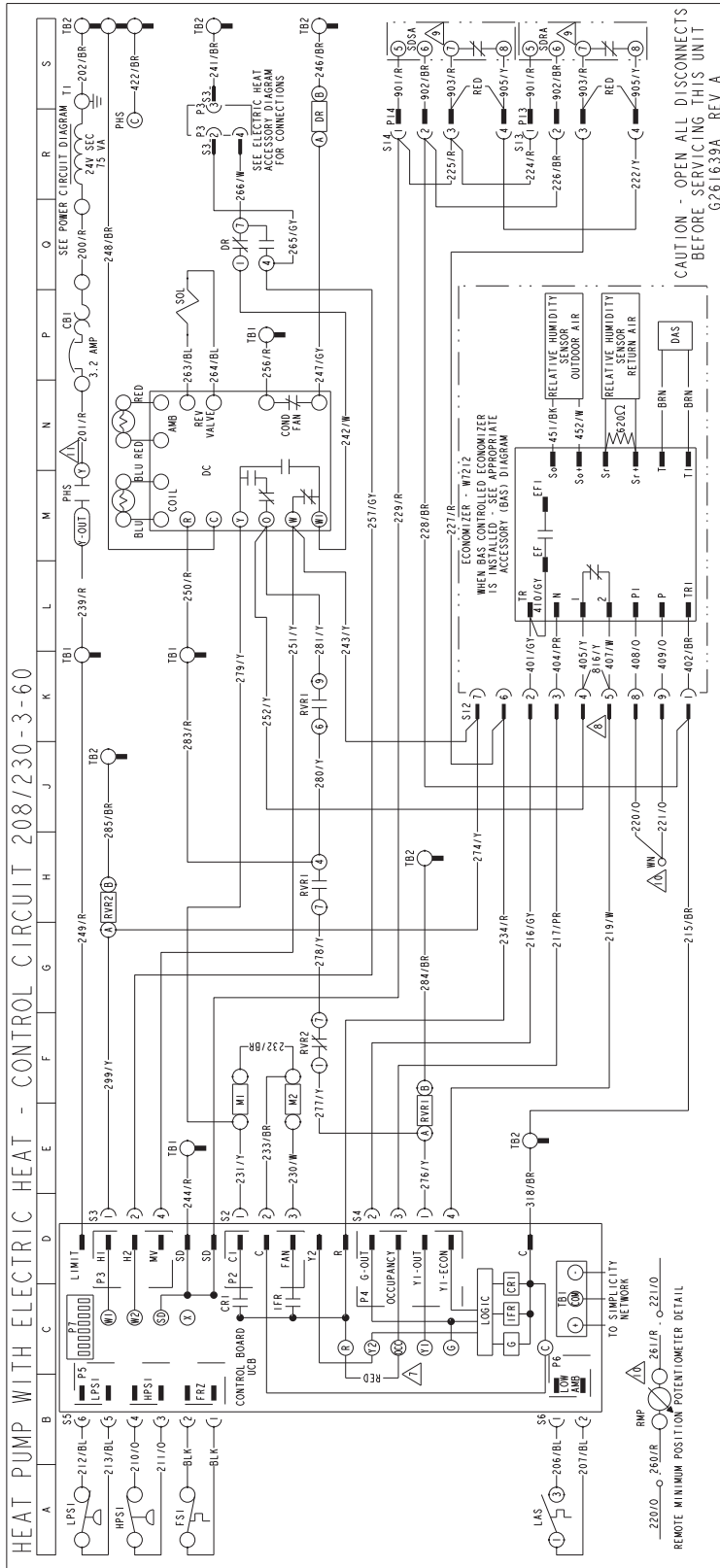
Typical XP060 Belt Drive With Electric Heat Control Circuit 208/230-1-60 Diagram



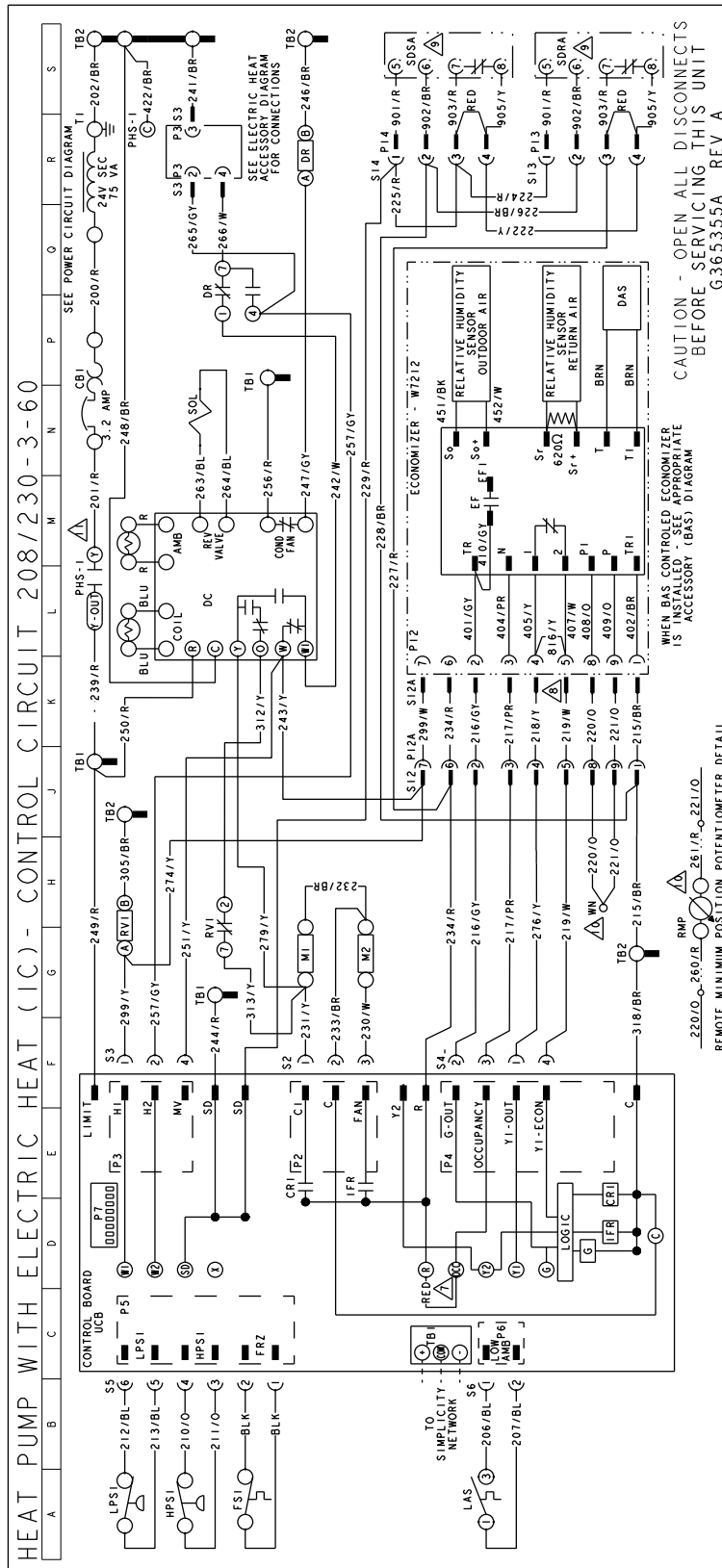
Typical XP060 Belt Drive With Electric Heat, Intelli-Comfort Control Circuit 208/230-1-60 Diagram



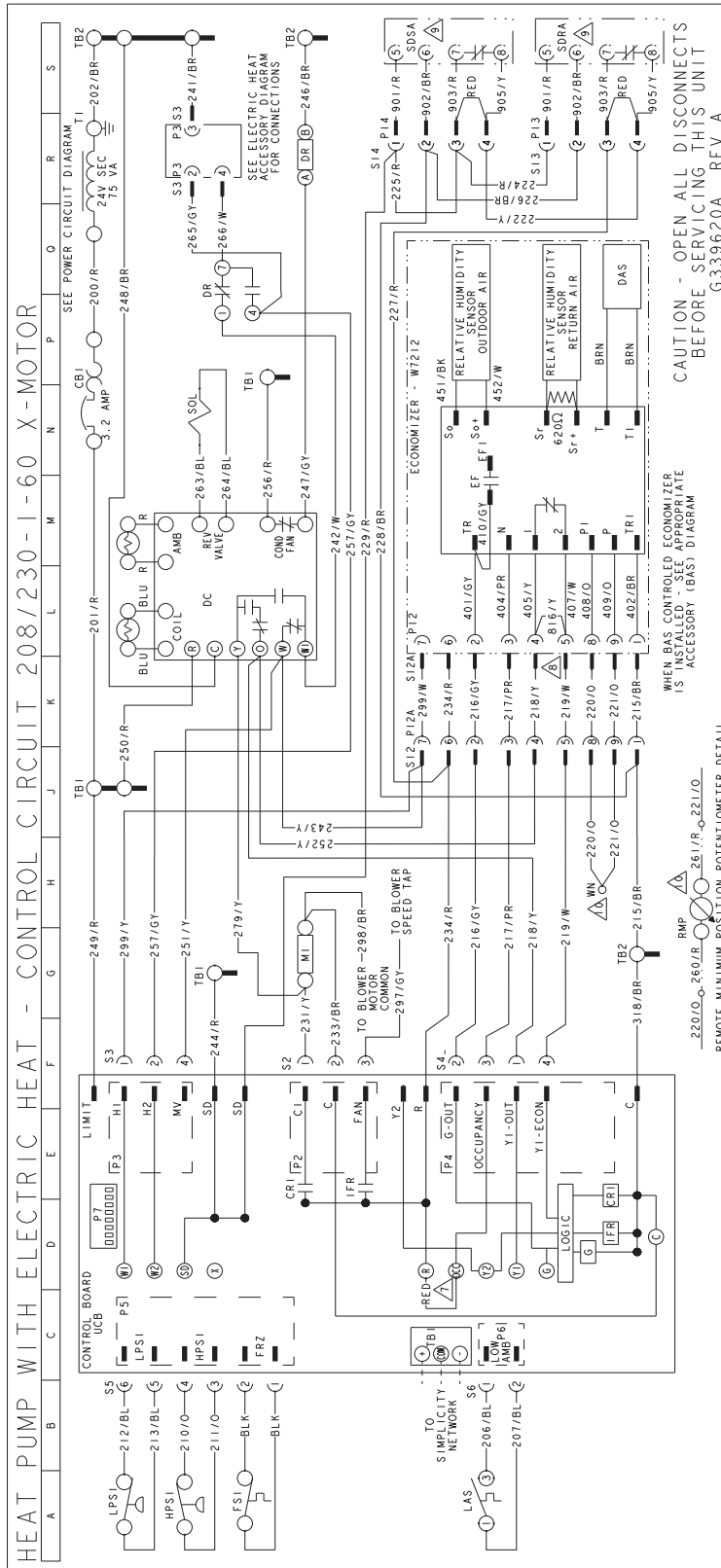
Typical XP060 Belt Drive With Electric Heat Control Circuit 208/230-3-60 Diagram



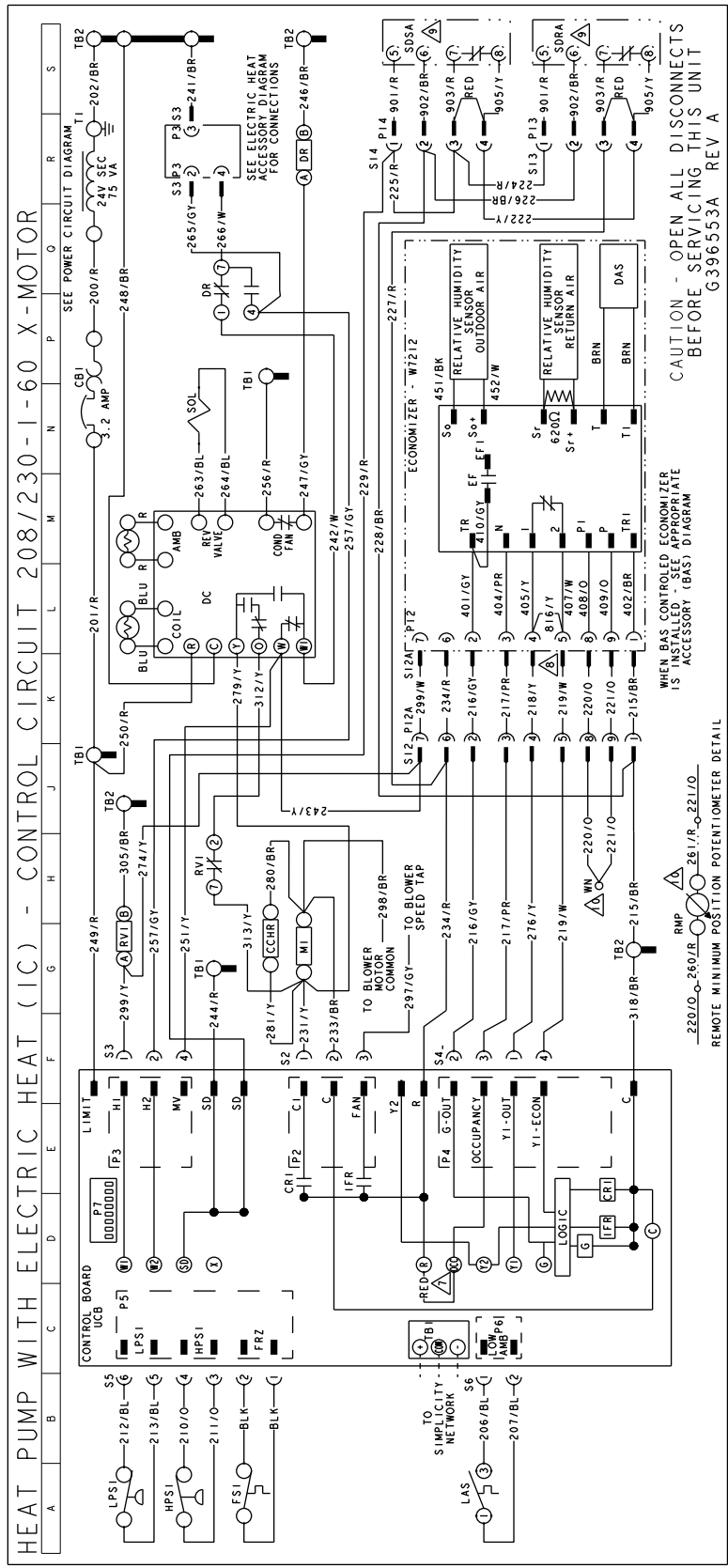
Typical XP060 Belt Drive With Electric Heat, Intelli-Comfort Control Circuit 208/230-3-60 Diagram



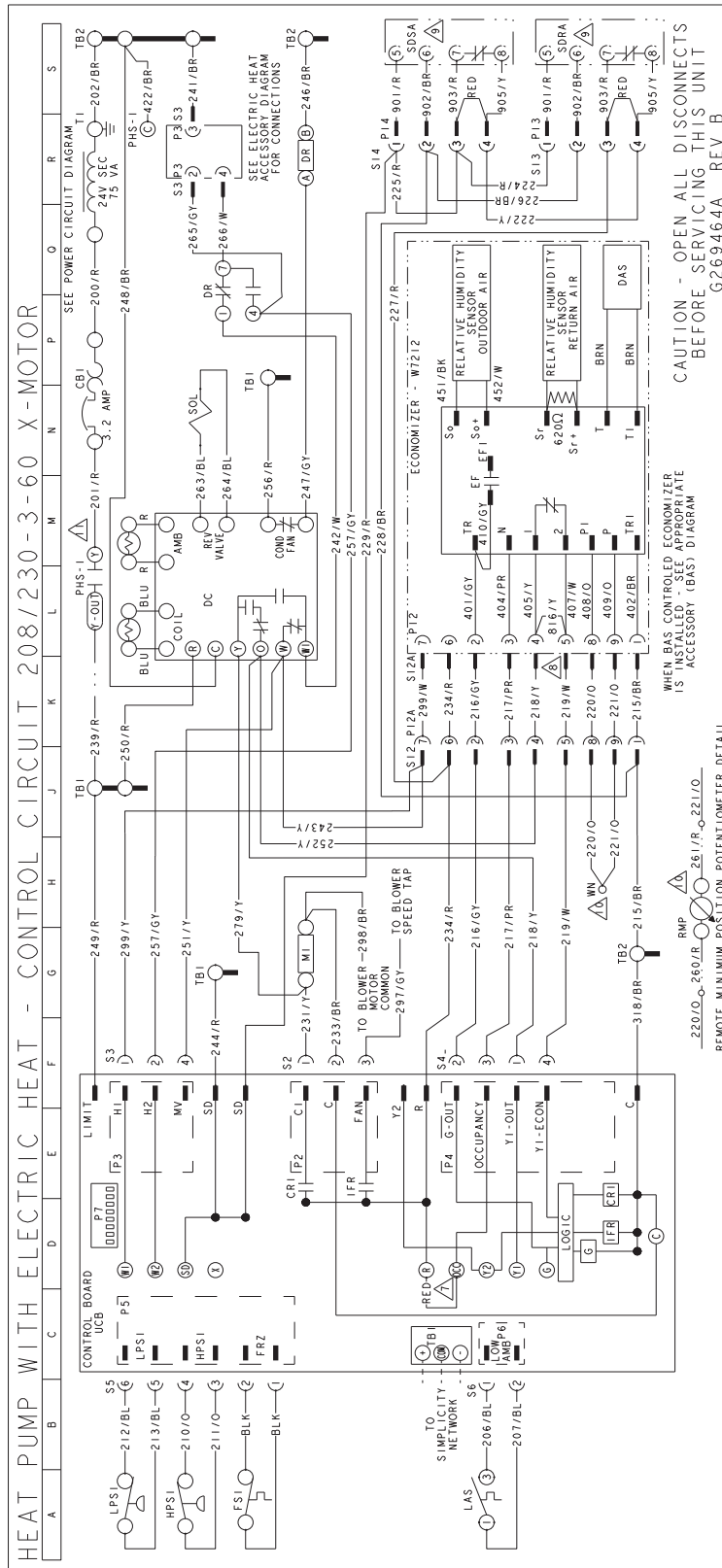
Typical XP060 Direct Drive With Electric Heat Control Circuit 208/230-1-60 Diagram



Typical XP060 Direct Drive With Electric Heat, Intelli-Comfort Control Circuit 208/230-1-60 Diagram



Typical XP060 Direct Drive With Electric Heat Control Circuit 208/230-3-60 Diagram

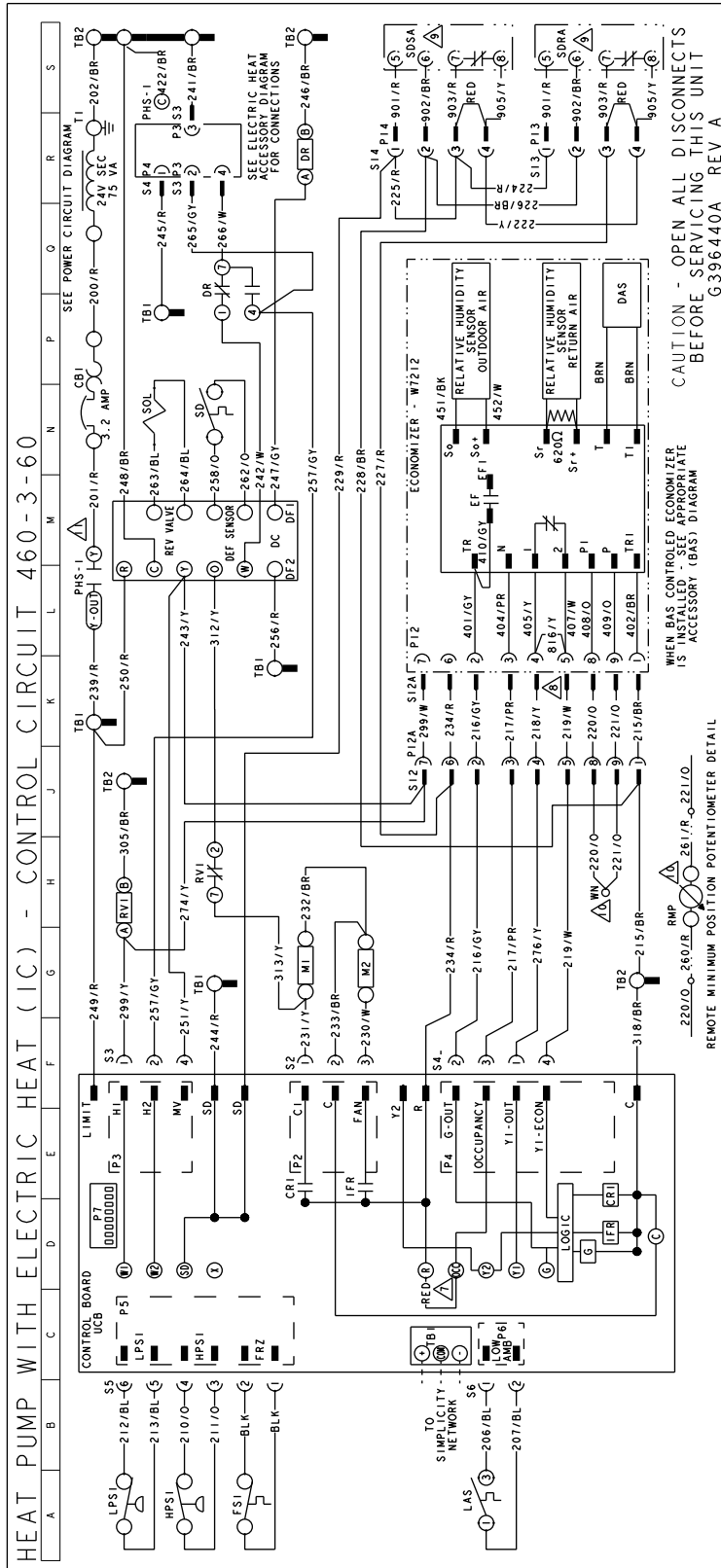




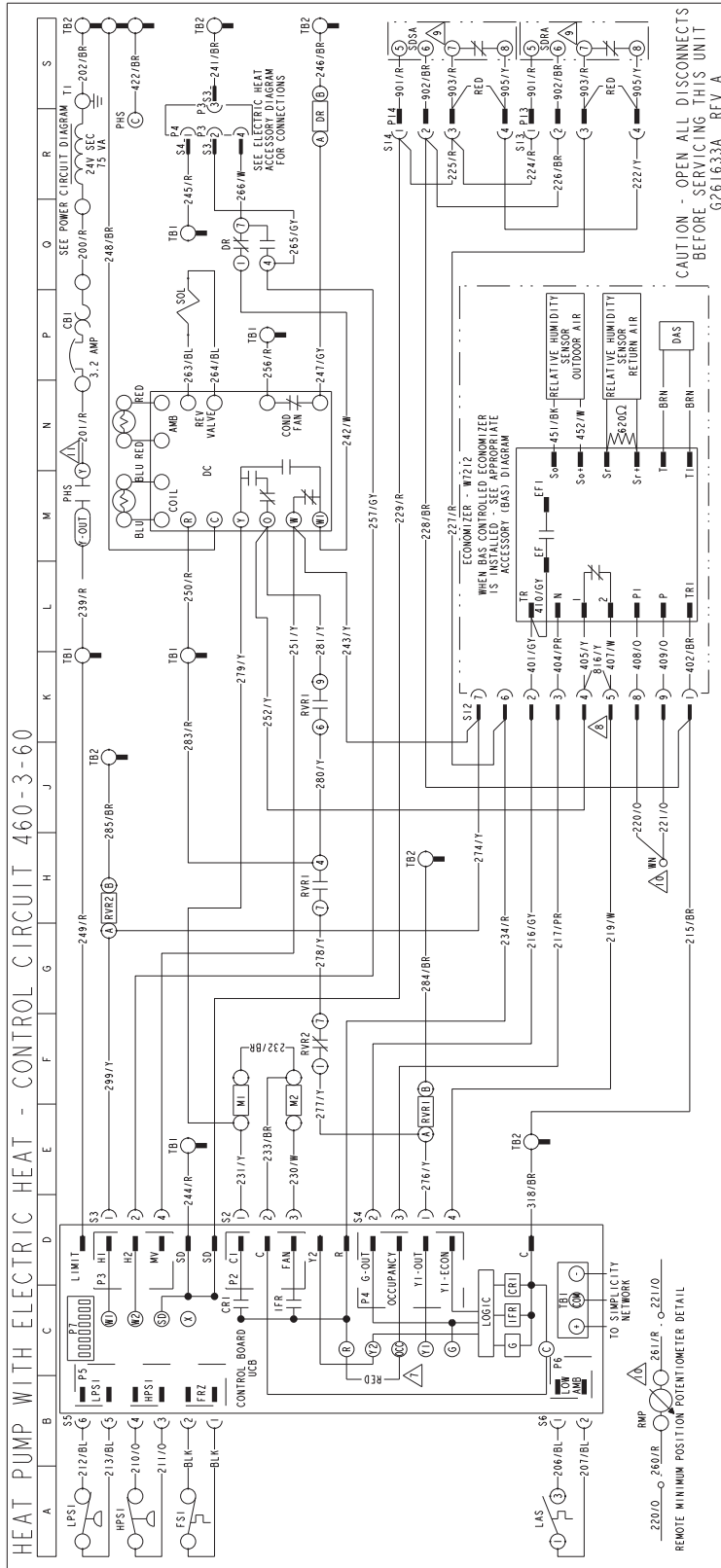




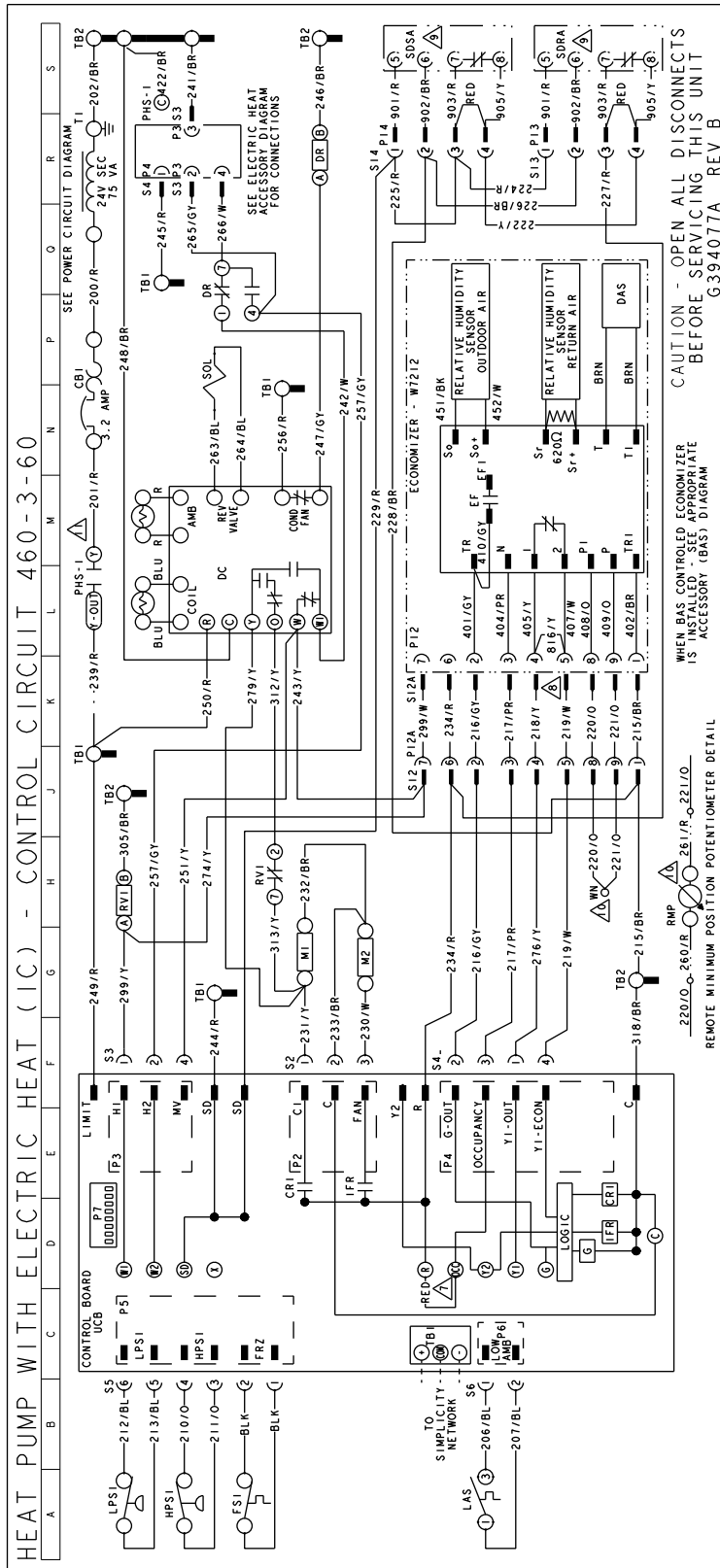
Typical XP036-048 With Electric Heat, Intelli-Comfort Control Circuit 460-3-60 Diagram



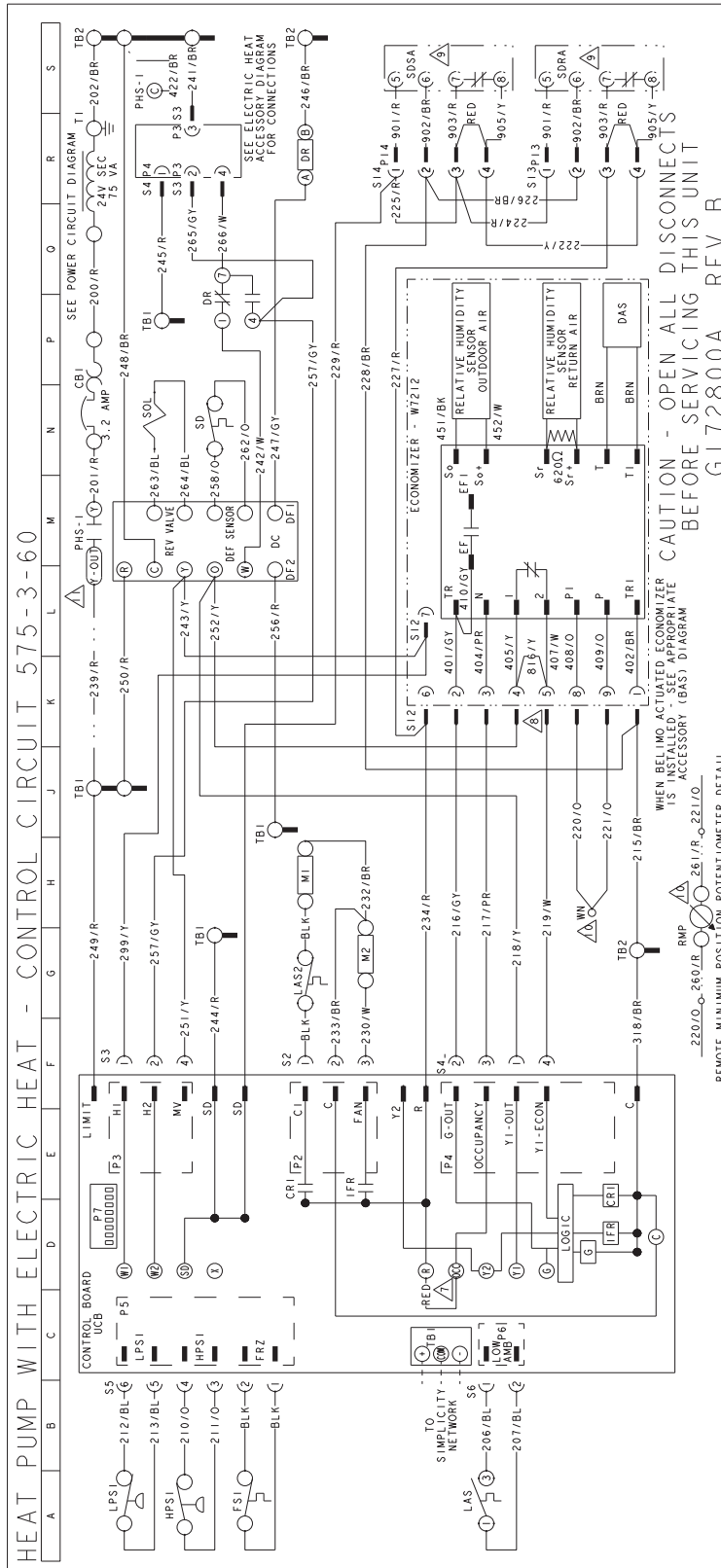
Typical XP060 With Electric Heat Control Circuit 460-3-60 Diagram



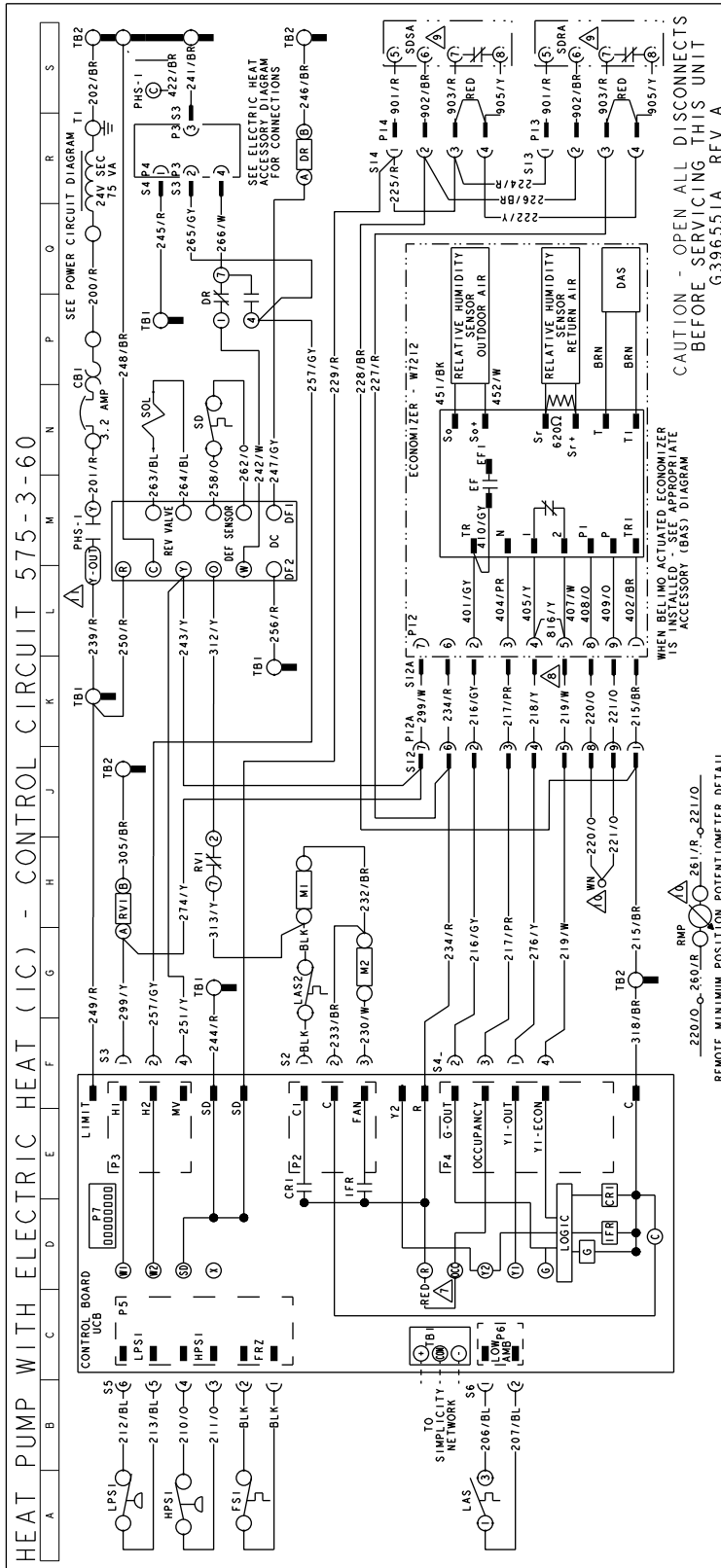
### Typical XP060 With Electric Heat, Intelli-Comfort Control Circuit 460-3-60 Diagram



Typical XP036-048 With Electric Heat Control Circuit 575-3-60 Diagram



Typical XP036-048 With Electric Heat, Intelli-Comfort Control Circuit 575-3-60 Diagram

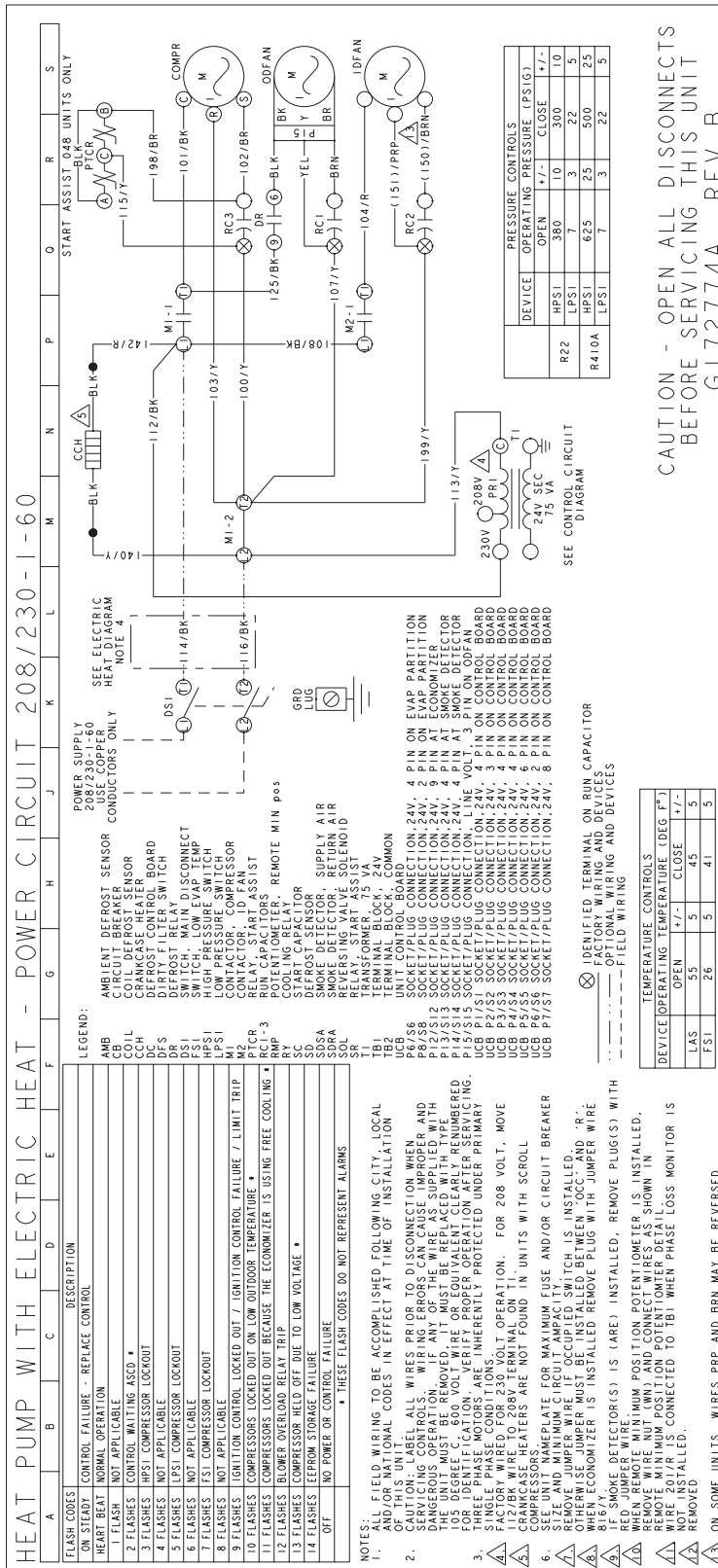




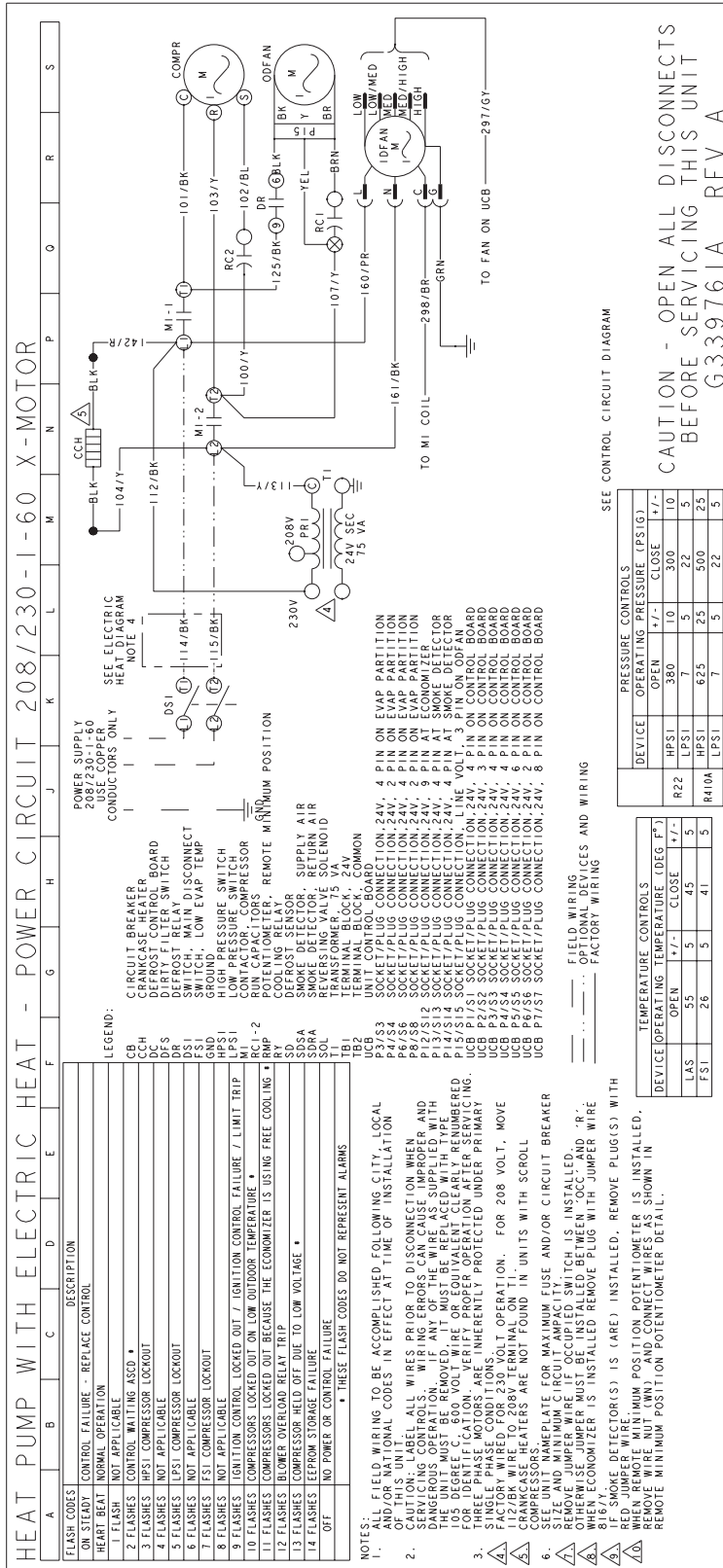




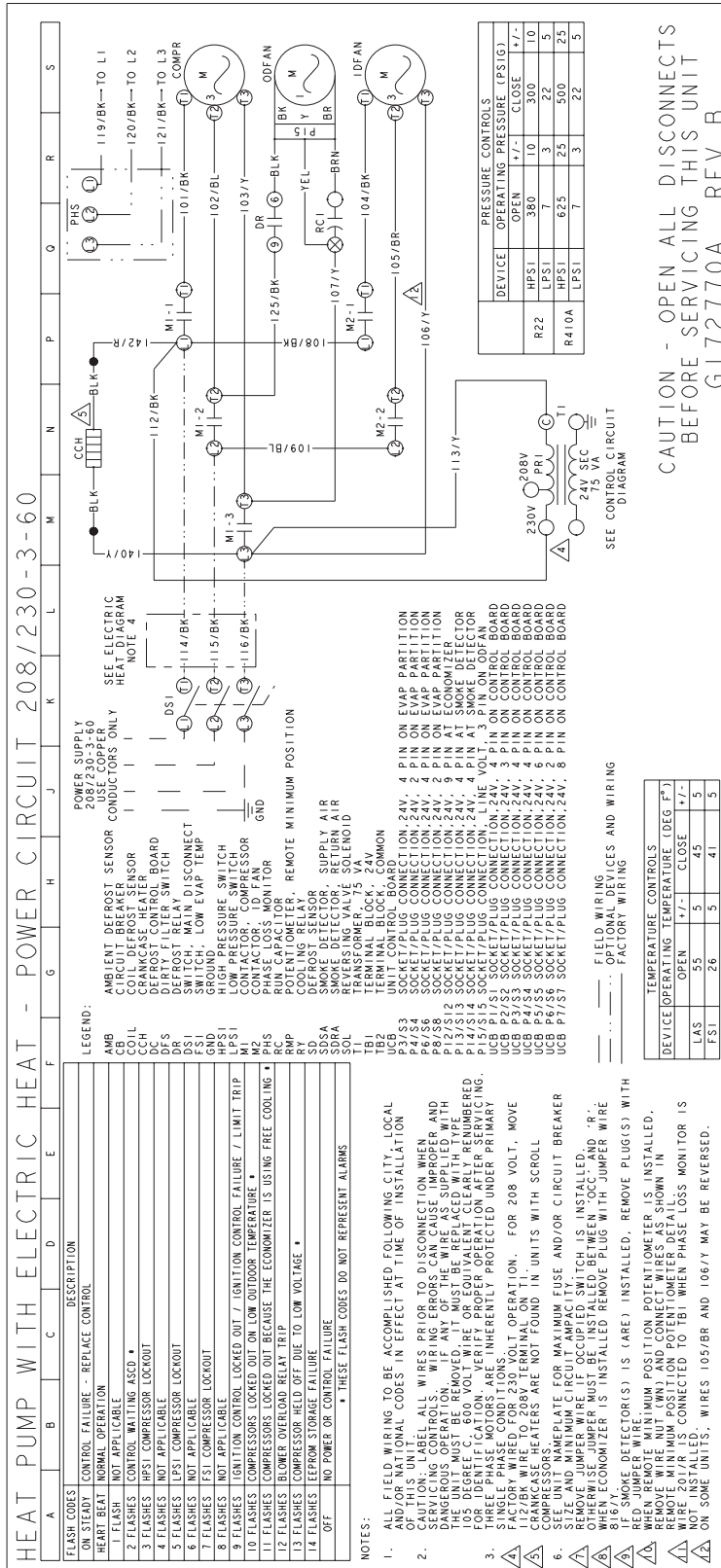
Typical XP Belt Drive With Electric Heat Power Circuit 208/230-1-60 Diagram



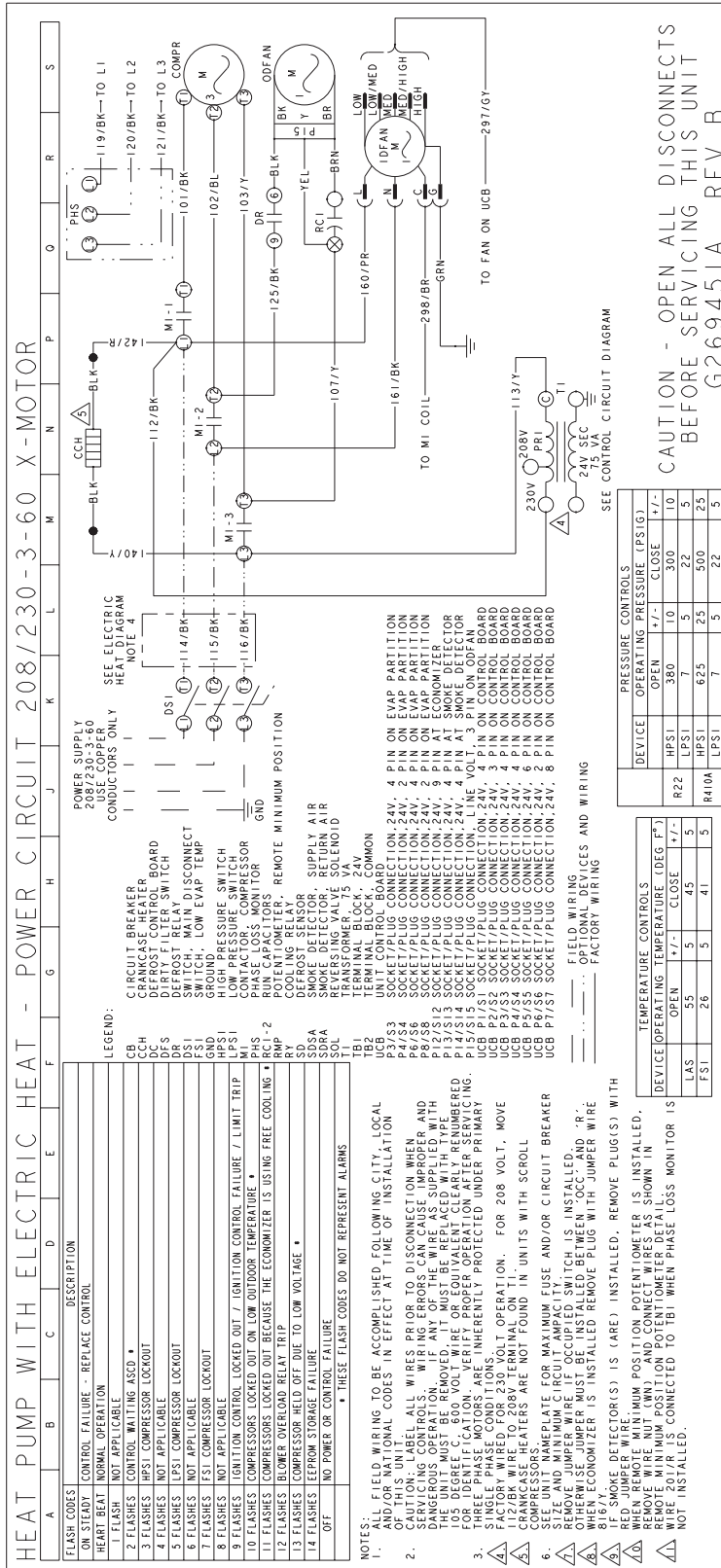
Typical XP Direct Drive With Electric Heat Power Circuit 208/230-1-60 Diagram



Typical XP Belt Drive With Electric Heat Power Circuit 208/230-3-60 Diagram

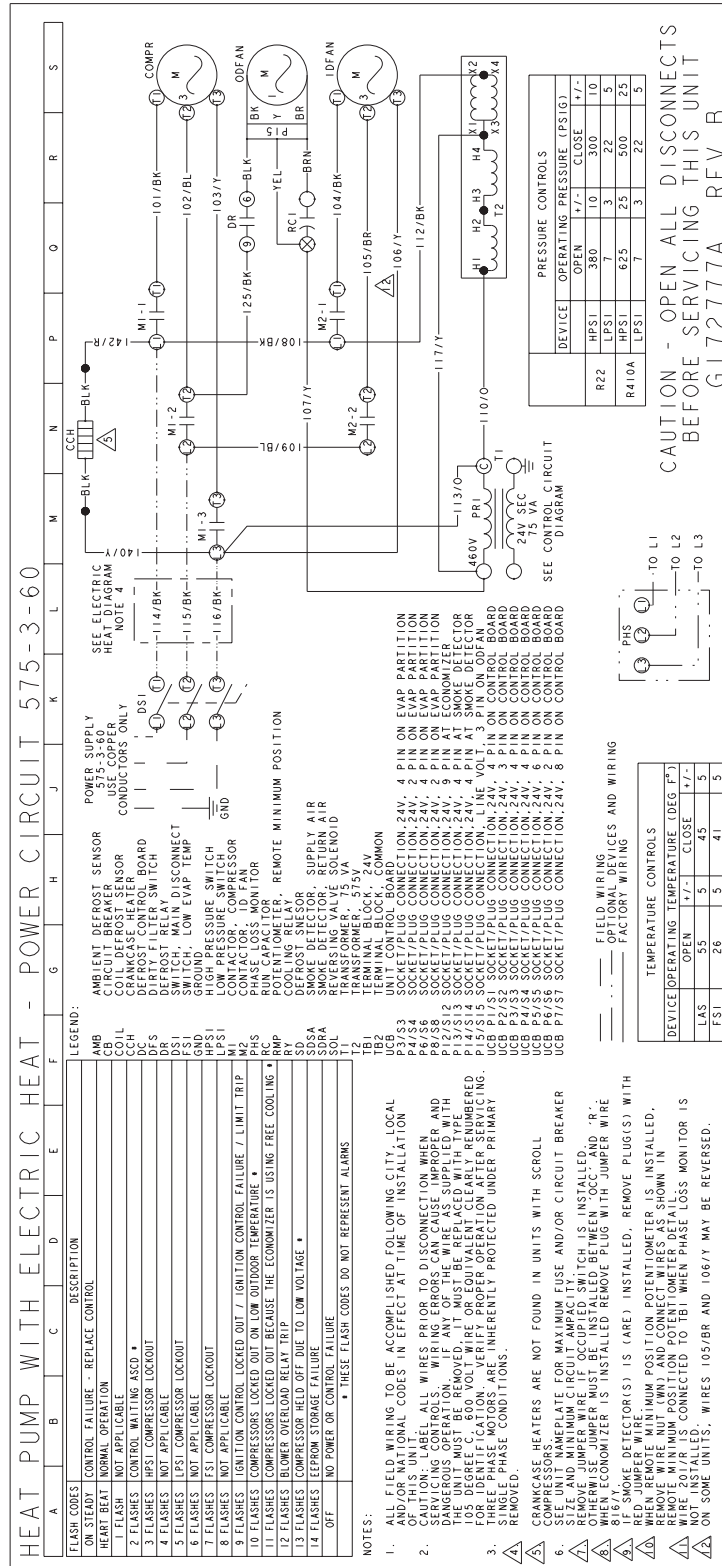


Typical XP Direct Drive With Electric Power Circuit 208/230-3-60 Diagram





Typical XP Power Circuit 575-3-60 Diagram



Subject to change without notice. Printed in U.S.A.  
Copyright © 2011 by Johnson Controls, Inc. All rights reserved.

251933-YTG-O-0111  
Supersedes: 251933-YTG-N-1210

**Johnson Controls Unitary Products**  
5005 York Drive  
Norman, OK 73069