

ENGINEERING GUIDE

TVS Parallel Flow, Fan-Powered, 50/60 Hz VAV Terminals



TABLE OF CONTENTS

Features and Benefits 2
 Controls 4
 Construction Features 5
 Standard and Optional Features 7
 Application and Selection 8
 Dimensional Data 11
 Primary Airflow Calibration 13
 General Selection Data, 50 Hz PSC Motor 14
 Sound Power Data, Radiated, 50 Hz PSC Motor . 15
 Sound Power Data, Discharge, 50 Hz PSC Motor 16
 Sound Power Data, Unit Fan, 50 Hz PSC Motor . . 17
 Fan Performance Data, 50 Hz PSC Motor 18
 General Selection Data, 60 Hz PSC Motor 20
 Sound Power Data, Radiated, 60 Hz PSC Motor . 21
 Sound Power Data, Discharge, 60 Hz PSC Motor 22
 Sound Power Data, Unit Fan, 60 Hz PSC Motor . . 23
 Fan Performance Data, 60 Hz PSC Motor 24
 ARI Ratings 27
 Electric Heat 28
 Hot Water Coil Data 29
 Guide Specifications 33

NOTES:

- All data herein is subject to change without notice.
- Construction drawings and performance data contained herein should not be used for submittal purposes.
- ETL Report Number 476203.



FEATURES AND BENEFITS

QUIET COMFORT

Model TVS fan terminals are specifically designed for quiet operation. They also offer improved space comfort and flexibility for a wide variety of HVAC systems. This is critical in today’s buildings, where occupants are placing more emphasis on indoor acoustics.

OCCUPANT-SENSITIVE DESIGN

Due to heightened interest in Indoor Air Quality, many HVAC system designers are focusing on the effects of particulate contamination within a building’s occupied space. Often, HVAC system noise is overlooked as a source of occupied space contamination. The TVS terminal is specifically designed to eliminate obtrusive fan noise from reaching the occupants.

Occupants will benefit from the TVS design that minimizes low frequency (125Hz-250Hz) sound levels that typically dominate the space sound level.

DESIGN FLEXIBILITY

Selection and Layout. The TVS provides flexibility in system design. Reduced noise at the fan terminal allows the system designer to place properly sized units directly above occupied spaces. It is not necessary to use the crowded space above a hall or corridor to locate the equipment. This will reduce lengthy and expensive

discharge duct runs. The standard shallow casing height (14" up to 1000 CFM) minimizes conflict with other systems competing for ceiling space. The FlowStar™ sensor ensures accurate control, even when space constraints do not permit long straight inlet duct runs to the terminal.

Sizes. Primary air valves and fans are available in various size combinations to provide fan capacities between 20% and 100% of the selected maximum primary airflow. Model TVS terminals are available with primary valves handling up to 4100 CFM. Six fan sizes provide a range of heating capacities between 50 and 2400 CFM.

A Johnson Controls Windows® based Computer Selection Program is available to facilitate the selection process. Contact your Johnson Controls representative to obtain a copy of this powerful and time-saving program.

CONVENIENCE INSTALLATION

Quality. All TVS terminals are thoroughly inspected during each step of the manufacturing process, including a comprehensive “pre-ship” inspection, to assure the highest quality product available. Each unit is also “run tested” before leaving the factory to ensure trouble free field “start-up.”

FEATURES AND BENEFITS

Quick Installation. A standard single point electrical main power connection is provided. Electronic controls and electrical components are located on the same side of the casing for quick access, adjustment, and troubleshooting. Installation time is minimized with the availability of factory calibrated controls.

Finite fan speed adjustment is accomplished with an electronic SCR controller. The SCR fan speed controller is manufactured by Johnson Controls and is compatible with the fan motor. This minimizes electronic interference and harmonic distortion that occurs from non-compatible motor and SCR components. Increased motor life and efficiency result from the compatible design.

TVS terminals utilize three tap motors that accommodate a broad range of flow and static pressure field conditions while dramatically increasing efficiency.

The FlowStar™ sensor ensures accurate airflow measurement, regardless of the field installation conditions. A calibration label and wiring diagram is located on the terminal for quick reference during start-up.

The terminal is constructed to allow installation with standard metal hanging straps. Optional hanger brackets for use with all-thread support rods or wire hangers are also available.

VALUE AND SECURITY

Quality. All metal components are fabricated from galvanized steel. Unlike most manufacturers' terminals, the steel used in the TVS is capable of withstanding a 125 hour salt spray test without showing any evidence of red rust.

Energy Efficiency. In addition to quiet and accurate temperature control, the building owner will benefit from lower operating costs. The highly amplified velocity pressure signal from the FlowStar™ inlet sensor allows precise airflow control at low air velocities.

The FlowStar™ sensor's airfoil shape provides minimal pressure drop across the terminal. This allows the central fan to run at a lower pressure and with less brake horsepower. Energy efficient three tap, three winding, permanent split capacitor fan motors are manufactured to ensure efficient, quiet, reliable, and low maintenance operation.

Three tap motors provide superior energy efficiency over single speed motors by delivering three separate horsepower outputs. For example, a nominal 1/2 HP motor delivers 1/3 HP on medium tap and 1/4 HP on low tap. This allows the motor to operate at a higher efficiency when at a reduced fan capacity.

Fan terminals that utilize a single speed motor must rely solely on an SCR controller to obtain the reduction in fan capacity. At minimum turndown, they suffer from excessive power consumption and high motor winding temperatures, significantly reducing the motor life.

Agency Certification. Model TVS terminals, including those with electric heat, are listed with ETL as an assembly, and bear the ETL label. TVS terminals comply with applicable NEC requirements, are tested in accordance with ARI Standard 880, and are certified by ARI.

Maintenance and Service. TVS fan terminals require no periodic maintenance other than optional filter replacement. If component replacement becomes necessary, the unit is designed to minimize field labor. The bottom casing panel can be removed to provide easy access to the fan assembly, and the motor electrical leads are easily unplugged. Fan access is also provided through the induction air inlet, except for hot water coil units.

CONTROLS

Model TVS terminals are available with analog electronic, consignment DDC, pneumatic controls, and Johnson Controls DDC for BACnet, LON or N2. Johnson Controls manufactures a complete line of analog electronic controls specifically designed for use with TVS terminals. These controls are designed to accommodate a multitude of control schemes.

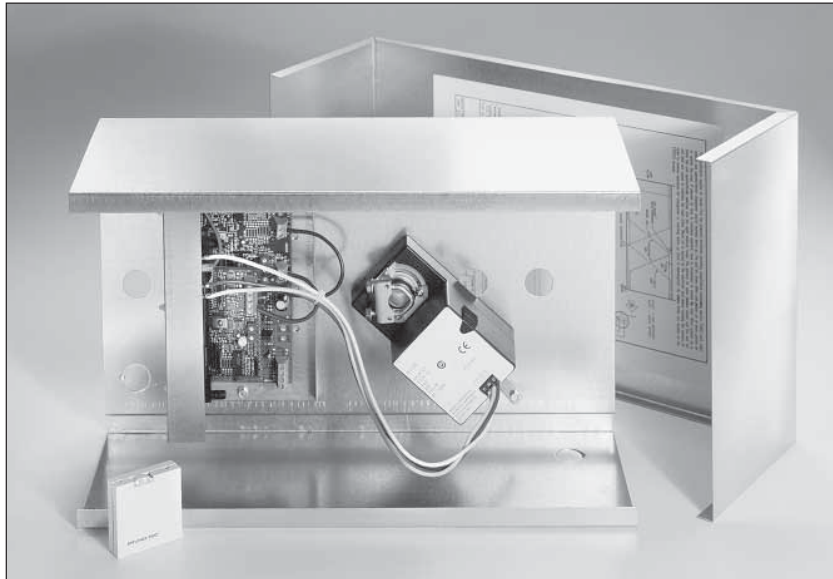
From the most basic to the most sophisticated sequence of operation, the controls are designed by experts in VAV single duct terminal operation. Refer to the Electronic Controls Selection Guide, and the Pneumatic Controls Selection Guide for a complete description of the sequences and schematic drawings that are available.

Available Control Types:

- Analog Electronic (shown)
- Pneumatic
- Factory mounted consignment DDC
- Johnson Controls DDC

Standard Features of Johnson Controls Electronic Controls Include:

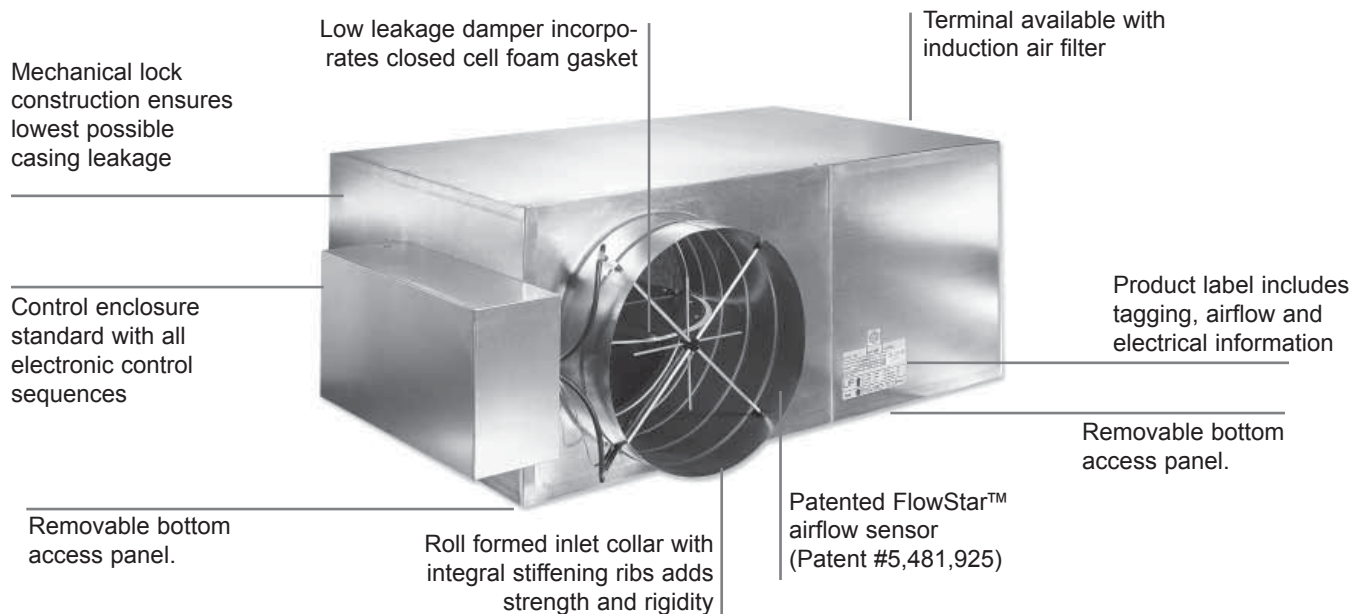
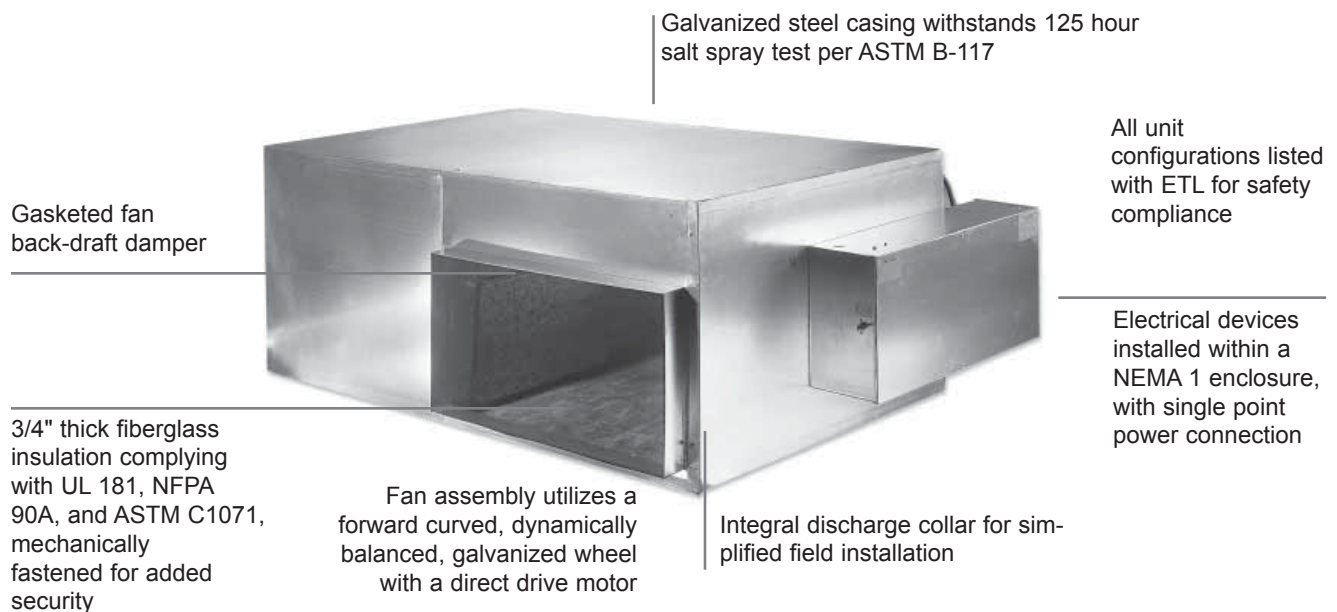
- Patented FlowStar™ Airflow Sensor
- ETL Listing
- NEMA 1 Enclosure
- 24 Volt Control Transformer
- Floating Modulating Actuator
- Balancing Tees and Plenum Rated Tubing



CONSTRUCTION FEATURES

MODEL TVS

The TVS terminal incorporates many **standard** features are expensive options for other manufacturers.



OPTIONAL CONSTRUCTION FEATURES

- Mounting brackets to accept all-thread hanging rods or wire hangers
- Double wall construction
- Scrim reinforced foil faced insulation meeting ASTM C1136 for mold, mildew, and humidity resistance
- Elastomeric closed cell foam insulation
- Hot water (TVS-WC), steam, or electric heating coils (TVS-EH).
- Factory control options: analog electronic, DDC electronic, pneumatic
- Factory piping packages

CONSTRUCTION FEATURES

ACCURATE AND ENERGY-SAVING AIRFLOW CONTROL WITH THE PATENTED FLOWSTAR™ SENSOR

Many VAV terminals waste energy due to an inferior airflow sensor design that requires the minimum CFM setpoint to be much higher than the IAQ calculation requirement. This is common with interior spaces that will be effected year round. These inferior VAV terminals waste energy in several ways. First, the primary air fan (e.g. AHU) supplies more CFM than the building requires. The higher minimum CFM setpoint overcools the zone with VAV terminals without integral heat. To maintain thermal comfort a building engineer would need to change the minimum setpoint to zero CFM compromising indoor air quality. Inferior VAV terminals with integral heat provide adequate comfort in the space but waste significant energy as energy is consumed to mechanically cool the primary air only to have more energy consumed to heat the cooled primary air. Significant energy savings is obtained with proper sizing and by making sure approved VAV terminals are capable of controlling at low CFM setpoints, providing the minimum ventilation requirement.

Currently, most DDC controllers have a minimum differential pressure limitation between 0.015" and 0.05" w.g. The major DDC manufacturers can control down to 0.015" w.g. An airflow sensor that does not amplify, e.g., a Pitot tube, requires about 490 FPM to develop 0.015" w.g. differential pressure. The FlowStar develops 0.015" w.g. pressure with only 290 FPM on a size 6 terminal and less than 325 FPM for a size 16. Consequently, VAV terminals utilizing a non-amplifying type sensor could have minimum CFM's that are well over 50% higher than a Johnson Controls terminal. Many airflow sensors provide some degree of amplification simply due to the decrease in free area of the inlet from large area of the sensor. These VAV terminals still require minimum CFM's up to 30% higher than a Johnson Controls terminal, have higher sound levels, and higher pressure drop requiring additional energy consumption at the primary air fan.

A VAV system designed with Johnson Controls terminals consumes significantly less energy than a comparable

system with competitor's terminals. The FlowStar airflow sensor reduces energy consumption by allowing lower zone minimum CFM setpoints, greatly reducing or eliminating "reheat", and by imposing less resistance on the primary air fan.

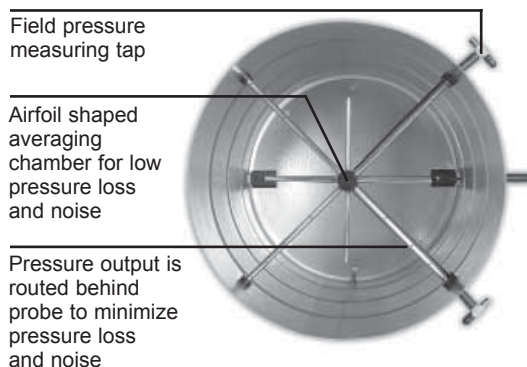
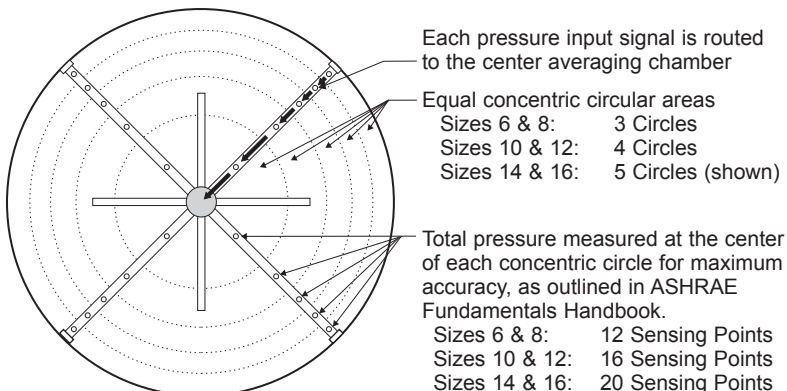
The Johnson Controls air valve features the FlowStar™ airflow sensor which has brought new meaning to airflow control accuracy. The multi-axis design utilizes between 12 and 20 sensing points that sample total pressure at center points within equal concentric cross-sectional areas, effectively traversing the air stream in two planes. Each distinct pressure reading is averaged within the center chamber before exiting the sensor to the controlling device.

This sensor adds a new dimension to signal amplification. Most differential pressure sensors provide a signal between .5 and 2 times the equivalent velocity pressure signal. The FlowStar™ provides a differential pressure signal that is 2.5 to 3 times the equivalent velocity pressure signal. This amplified signal allows more accurate and stable airflow control at low airflow capacities. Low airflow control is critical for indoor air quality, reheat minimization, and preventing over cooling during light loads.

Unlike other sensors which use a large probe surface area to achieve signal amplification, the FlowStar™ utilizes an unprecedented streamline design which generates amplified signals unrivaled in the industry. The streamlined design also generates less pressure drop and noise.

The VAV schedule should specify the minimum and maximum airflow setpoints, maximum sound power levels, and maximum air pressure loss for each terminal. The specification for the VAV terminal must detail the required performance of the airflow sensor. For maximum building occupant satisfaction, the VAV system designer should specify the airflow sensor as suggested in the Guide Specifications of this catalog.

FlowStar™ Airflow Sensor Patent #5,481,925



STANDARD AND OPTIONAL FEATURES

STANDARD FEATURES

Construction

- ARI 880 certified and labeled
- 20 gauge galvanized steel casing and 22 gauge air valve
- 3/4" thick fiberglass insulation
- Large access openings allowing removal of complete fan assembly for all heating coil options

Fan Assembly

- Forward curved, dynamically balanced, direct drive, galvanized blower wheel
- 115 or 277 volt single phase, three tap PSC motor
- SCR fan speed controller
- Quick-select motor speed terminal
- Permanently lubricated motor bearings
- Thermally protected motor
- Vibration isolation motor mounts
- Single point wiring

Primary Air Valve

- Embossed rigidity rings
- Low thermal conductance damper shaft
- Position indicator on end of damper shaft
- Mechanical stops for open and closed position
- FlowStar™ center averaging airflow sensor
- Balancing tees
- Plenum rated sensor tubing

Hot Water Coils

- Designed and manufactured by Johnson Controls
- ARI 410 certified and labeled
- 1, 2, 3, 4 row coils
- Tested at a minimum of 450 PSIG under water and rated at 300 PSIG working pressure at 200°F

Electrical

- cETL listed for safety compliance
- NEMA 1 wiring enclosure

Electric Heat

- cETL listed as an assembly for safety compliance per UL 1995
- Integral electric heat assembly
- Automatic reset primary and back-up secondary thermal limits
- Single point power connection
- Hinged electrical enclosure door
- Fusing per NEC

OPTIONAL FEATURES

Construction

- 1" insulation
- Foil faced scrim backed insulation
- 1/2" thick elastomeric closed cell foam insulation
- Double wall construction with 22 gauge liner
- 1" filter rack with throwaway filter

Fan Assembly

- 208, 230, 240 and 480 volt single phase, PSC motor
- 220/240 volt 50 Hz motor

Electrical

- Full unit toggle disconnect
- Inline motor fusing
- Primary and secondary transformer fusing

Electric Heat

- Proportional (SSR) heater control
- Mercury contactors
- Door interlocking disconnect switches

Controls

- Factory provided controls include:
 - Analog electronic
 - Pneumatic
 - Johnson Controls DDC
- Consignment DDC controls (factory mount and wire controls provided by others)

Piping Packages

- Factory assembled – shipped loose for field installation
- 1/2" and 3/4", 2 way, normally closed, two position electric motorized valves
- Isolation ball valves with memory stop
- Fixed and adjustable flow control devices
- Unions and P/T ports
- Floating point modulating control valves
- High pressure close-off actuators (1/2" = 50 PSIG; 3/4" = 25 PSIG)

APPLICATION AND SELECTION

PURPOSE OF PARALLEL FLOW FAN TERMINALS

Parallel flow fan powered terminals offer improved space comfort and flexibility in a wide variety of applications. Substantial operating savings can be realized through the recovery of waste heat, and night setback operation.

Heat Recovery. The TVS recovers heat from lights and core areas to offset heating loads in perimeter zones. Additional heat is available at the terminal unit using electric, steam, or hot water heating coils. Controls are available to energize remote heating devices such as wall fin, fan coils, radiant panels, and roof load plenum unit heaters.

Typical Sequences of Operation. The TVS provides variable volume, constant temperature air in the cooling mode, and constant volume, variable temperature air in the heating mode.

At the design cooling condition, the primary air valve is handling the maximum scheduled airflow capacity while the unit fan is off. As the cooling load decreases, the primary air valve throttles toward the minimum scheduled airflow capacity. A further decrease in the cooling load causes the unit fan to start, inducing warm air from the ceiling plenum which increases the discharge air temperature to the zone. When the heating load increases, the optional hot water coil or electric heater is energized to maintain comfort conditions.

IAQ. The TVS enhances the indoor air quality of a building by providing higher air volumes in the heating mode than typically provided by straight VAV single duct terminals. The higher air capacity provides greater air motion in the space and lowers the heating discharge air temperature. This combination improves air circulation,

preventing accumulation of CO² concentrations in stagnant areas. Increased air motion improves occupant comfort. The higher air capacity also improves the performance of diffusers and minimizes diffuser “dumping”.

ACOUSTICAL CONCEPTS

The focus on indoor air quality is also having an effect on proper selection of air terminal equipment with respect to acoustics.

Sound Paths. At the zone level, the terminal unit generates acoustical energy that can enter the zone along two primary paths. First, sound from the unit fan can propagate through the downstream duct and diffusers before entering the zone (referred to as Discharge or Airborne Sound). Acoustical energy is also radiated from the terminal casing and travels through the ceiling cavity and ceiling system before entering the zone (referred to as Radiated Sound).

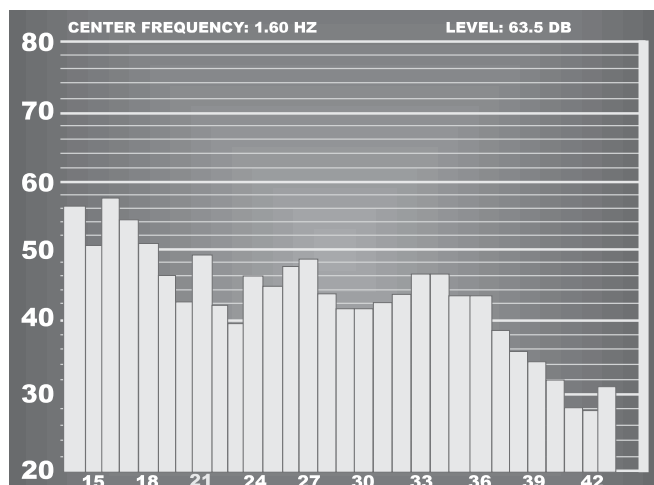
Sound Power. To properly quantify the amount of acoustical energy emanating from a terminal unit at a specific operating condition (i.e. CFM and static pressure), manufacturers must measure and publish sound power levels.

The units of measurement, decibels, actually represent units of power (watts). The terminal equipment sound power ratings provide a consistent measure of the generated sound independent of the environment in which the unit is installed. This allows a straight forward comparison of sound performance between equipment manufacturers and unit models.

Noise Criteria (NC). The bottom line acoustical criteria for most projects is the NC (Noise Criteria) level. This NC level is derived from resulting sound pressure levels in the zone. These sound pressure levels are the effect of acoustical energy (sound power levels) entering the zone caused by the terminal unit and other sound generating sources (central fan system, office equipment, outdoor environment, etc.).

The units of measurement is once again decibels; however, in this case decibels represent units of pressure (Pascals), since the human ear and microphones react to pressure variations.

There is no direct relationship between sound power levels and sound pressure levels. Therefore, we must predict the resulting sound pressure levels (NC levels) in the zone based in part by the published sound power levels of the terminal equipment. The NC levels are totally dependent on the project specific design, archi-



APPLICATION AND SELECTION

tecturally and mechanically. For a constant operating condition (fixed sound power levels), the resulting NC level in the zone will vary from one project to another.

ARI 885. A useful tool to aid in predicting space sound pressure levels is an application standard referred to as ARI Standard 885. This standard provides information (tables, formulas, etc.) required to calculate the attenuation of the ductwork, ceiling cavity, ceiling system, and conditioned space below a terminal unit. These attenuation values are referred to as the “transfer function” since they are used to transfer from the manufacturer’s sound power levels to the estimated sound pressure levels resulting in the space below, and/or served by the terminal unit. The standard does not provide all of the necessary information to accommodate every conceivable design; however, it does provide enough information to approximate the transfer function for most applications. Furthermore, an Appendix is provided that contains typical attenuation values. Some manufacturers utilize different assumptions with respect to a “typical” project design; therefore, cataloged NC levels should not be used to compare acoustical performance. Only certified sound power levels should be used for this purpose.

GENERAL DESIGN RECOMMENDATIONS FOR A QUIET SYSTEM

The AHU. Sound levels in the zone are frequently impacted by central fan discharge noise that either breaks out (radiates) from the ductwork or travels through the distribution ductwork and enters the zone as airborne (discharge) sound. Achieving acceptable sound levels in the zone begins with a properly designed central fan system which delivers relatively quiet air to each zone.

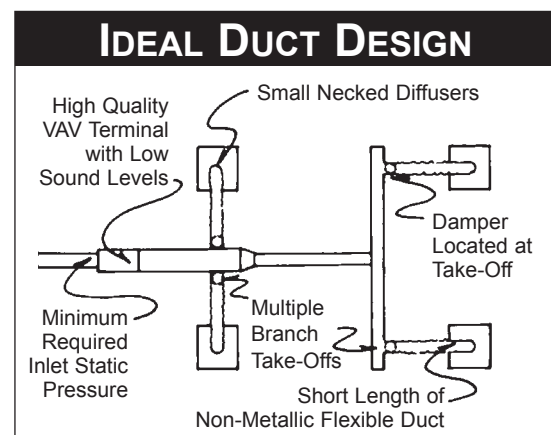
Supply Duct Pressure. One primary factor contributing to noisy systems is high static pressure in the primary air duct. This condition causes higher sound levels from the central fan and also higher sound levels from the terminal unit, as the primary air valve closes to reduce the pressure. This condition is compounded when flexible duct is utilized at the terminal inlet, which allows the central fan noise and air valve noise to break out into the ceiling cavity and then enter the zone located below the terminal. Ideally, the system static pressure should be reduced to the point where the terminal unit installed on the duct run associated with the highest pressure drop has the minimum required inlet pressure to deliver the design airflow to the zone. For systems that will have substantially higher pressure variances from one zone to another, special attention should be paid to the proper selection of air terminal equipment.

To date, the most common approach has been to select (size) all of the terminals based on the worst case (highest inlet static pressure) condition. Typically, this results in 80% (or higher) of the terminal units being oversized for their application. This in turn results in much higher equipment costs, but more importantly, drastically reduced operating efficiency of each unit. This consequently decreases the ability to provide comfort control in the zone. In addition, the oversized terminals cannot adequately control the minimum ventilation capacity required in the heating mode.

A more prudent approach is to utilize a pressure reducing device upstream of the terminal unit on those few zones closest to the central fan. This device could simply be a manual quadrant type damper if located well upstream of the terminal inlet. In tight quarters, perforated metal can be utilized as a quiet means of reducing system pressure. This approach allows all of the terminal units to experience a similar (lower) inlet pressure. They can be selected in a consistent manner at lower inlet pressure conditions that will allow more optimally sized units.

Inlet Duct Configuration. Inlet duct that is the same size as the inlet collar and as straight as possible will achieve the best acoustical performance. For critical applications, flexible duct should not be utilized at the terminal inlet.

Downstream Duct Design. On projects where internal lining of the downstream duct is not permitted, special considerations should be made to assure acceptable noise levels will be obtained. In these cases, a greater number of smaller zones will help in reducing sound levels. Where possible, the first diffuser takeoff should be located after an elbow or tee and a greater number of small necked diffusers should be utilized, rather than fewer large necked diffusers.



APPLICATION AND SELECTION

The downstream ductwork should be carefully designed and installed to avoid noise regeneration. Bull head tee arrangements should be located sufficiently downstream of the terminal discharge to provide an established flow pattern downstream of the fan. Place diffusers downstream of the terminal after the airflow has completely developed.

Downstream splitter dampers can cause noise problems if placed too close to the terminal, or when excessive air velocities exist. If tee arrangements are employed, volume dampers should be used in each branch of the tee, and balancing dampers should be provided at each diffuser tap. This arrangement provides maximum flexibility in quiet balancing of the system. Casing radiated sound usually dictates the overall room sound levels directly below the terminal. Because of this, special consideration should be given to the location of these terminals as well as to the size of the zone. Larger zones should have the terminal located over a corridor or open plan office space and not over a small confined private office. Fan powered terminals should never be installed over small occupied spaces where the wall partitions extend from slab-to-slab (i.e. fire walls or privacy walls).

Fan Terminal Isolation. Model TVS fan terminals are equipped with sufficient internal vibration dampening means to prevent the need for additional external isolation. Flexible duct connectors at the unit discharge typically do more harm than good. The sagging membrane causes higher air velocities and turbulence, which translates into noise. Furthermore, the discharge noise breaks out of this fitting more than with a hard sheet metal fitting.

SELECTION GUIDELINES

The TVS product line has been designed to provide maximum flexibility in matching primary air valve capacities (cooling loads) with unit fan capacities (heating loads). The overall unit size is dictated by the primary air valve sizes (cooling design capacity). With each unit size, various fan sizes are available to handle a wide range of fan capacities from relatively low heating airflow capacities (i.e. 25% of maximum primary capacity) all the way up to relatively high heating airflow capacities (i.e. 100% of maximum primary).

The primary air valve should be sized first to determine the unit size. Typically, the primary air valve sound is insignificant relative to the unit fan sound performance. The selection process typically involves choosing an air valve size that is as small as possible while yielding acceptable sound levels and pressure drop. For non-

acoustically sensitive applications such as shop-ping malls and airports, the primary air valve can be sized at the maximum rated capacity.

After the primary air valve has been selected, the fan can be selected from the various sizes available for that unit size. The selection is made by cross plotting the specified fan capacity and external static pressure on the appropriate fan performance curves. Terminals utilizing hot water heating coils require the summation of the coil air pressure drop and the design E.S.P. to determine the total E.S.P. It is common to have more than one fan size which can meet the design requirements. Typically, the selection begins with the smallest fan that can meet the capacity. Occasionally, this selection may not meet the acoustical requirements and thus, the next larger fan size would be selected.

Fan selections can be made anywhere in the non-shaded areas. Each fan performance curve depicts the actual performance of the relative motor tap without any additional fan balance adjustment. Actual specified capacities which fall below a particular fan curve (low, medium, or high) is obtained by adjustment of the electronic (SCR) fan speed controller.

SYSTEM PRESSURE CONSIDERATIONS

The central fan is required to produce sufficient inlet static pressure to force the air through the primary air valve, unit casing, downstream ductwork and fittings, and diffusers with the unit fan off. The TVS has been designed to reduce central fan power consumption by placing the optional hot water heating coil in the induction air stream, eliminating the coil from these central system pressure considerations.

The industry standard for testing and rating air terminal units (ARI 880) requires that published pressure drop performance be measured with hard, straight, unlined duct entering and leaving the terminal unit. On many projects, due to the limited available space, terminal units are not installed in this optimum manner. Frequently, flexible duct is used at the terminal inlet and a metal transition is utilized at the discharge. The entrance and exit losses in these instances exceed the actual terminal unit pressure loss. It is important to consider terminal unit pressure loss as well as those losses associated with the entire distribution ductwork (as outlined in applicable ASHRAE Handbooks) when sizing central system fan requirements.

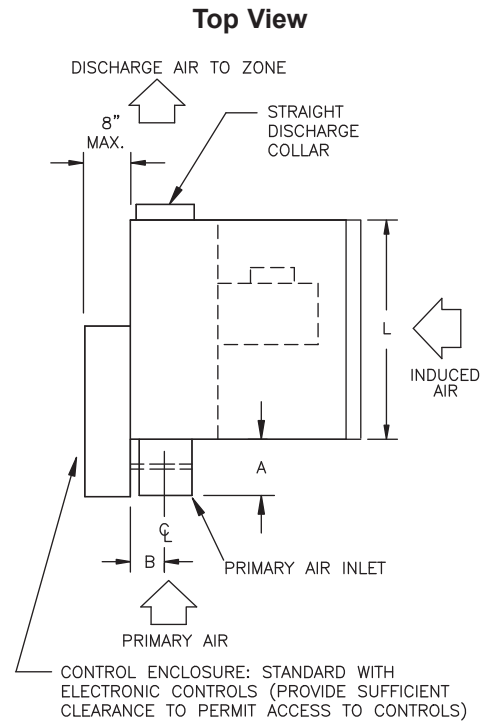
A Johnson Controls Windows® based Computer Selection Program is also available for complete TVS automated selection.

DIMENSIONAL DATA

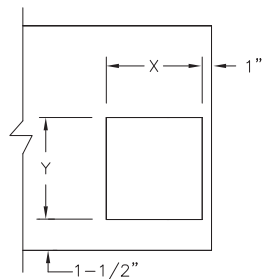
MODEL TVS

Drawings are not to scale and not for submittal or installation purposes.

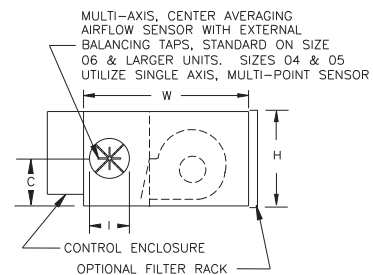
UNIT SIZE	A	B	C	I	X	Y	W	H	L
0404	10 1/2 [267]	5 [127]	7 [178]	3 7/8 [98]	8 [203]	7 [178]	29 [737]	14 [356]	23 1/2 [597]
0504	10 1/2 [267]	5 [127]	7 [178]	4 7/8 [124]	8 [203]	7 [178]			
0604	6 1/2 [165]	5 [127]	7 [178]	5 7/8 [149]	8 [203]	7 [178]			
0804	6 1/2 [165]	6 [152]	7 [178]	7 7/8 [200]	11 [279]	7 [178]	37 [940]	17 [432]	29 1/2 [749]
0806									
0811									
1006	6 1/2 [165]	7 [178]	8 1/2 [216]	9 7/8 [251]	14 [356]	10 [254]	37 [940]	17 [432]	29 1/2 [749]
1011									
1018									
1211	6 1/2 [165]	8 [203]	8 1/2 [216]	11 7/8 [302]	16 [406]	10 [254]	37 [940]	17 [432]	29 1/2 [749]
1218									
1221									
1411	6 1/2 [165]	9 [229]	9 1/2 [241]	13 7/8 [352]	22 [559]	12 [305]	45 [1143]	19 [483]	29 1/2 [749]
1418									
1421									
1424	6 1/2 [165]	9 [229]	9 1/2 [241]	13 7/8 [352]	22 [559]	12 [305]	49 [1245]	19 [483]	29 1/2 [749]
1621	6 1/2 [165]	10 [254]	9 1/2 [241]	15 7/8 [403]	24 [610]	12 [305]	45 [1143]		
1624	6 1/2 [165]	10 [254]	9 1/2 [241]	15 7/8 [403]	24 [610]	12 [305]	49 [1245]		



Discharge Collar Detail

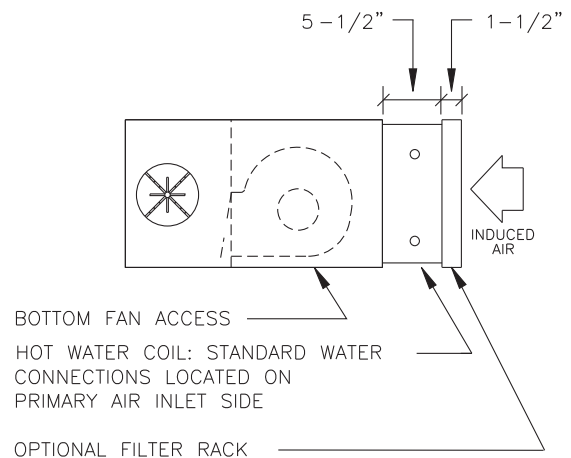


Side View



MODEL TVS-WC (HOT WATER COIL)

Hot Water Coil Detail (End View)

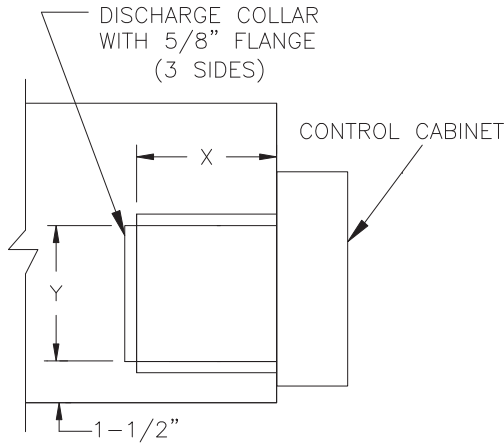


DIMENSIONAL DATA

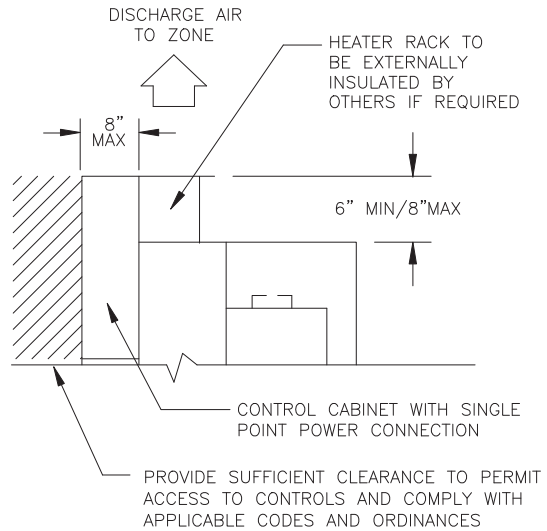
MODEL TVS-EH (ELECTRIC HEAT)

Drawings are not to scale and not for submittal or installation purposes.

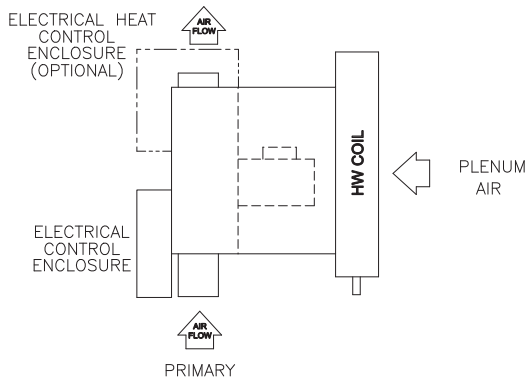
Discharge Collar Detail



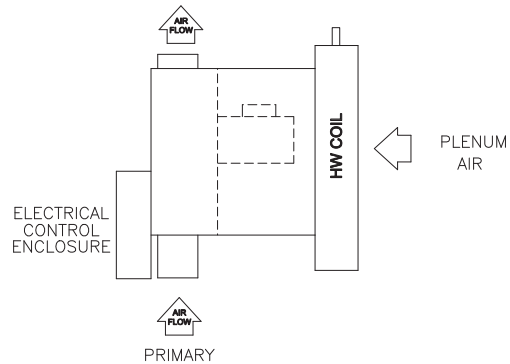
Electric Heater Detail (Top View)



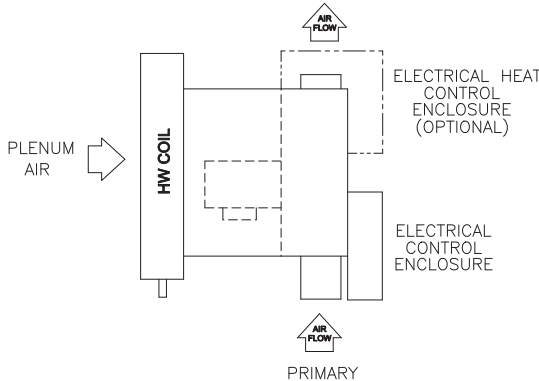
MODEL TVS ARRANGEMENTS



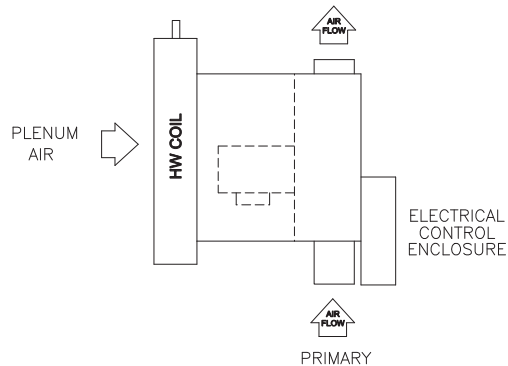
ARRANGEMENT 1
LEFT HAND CONTROL UNIT
WITH LEFT HAND COIL



ARRANGEMENT 2
LEFT HAND CONTROL UNIT
WITH RIGHT HAND COIL



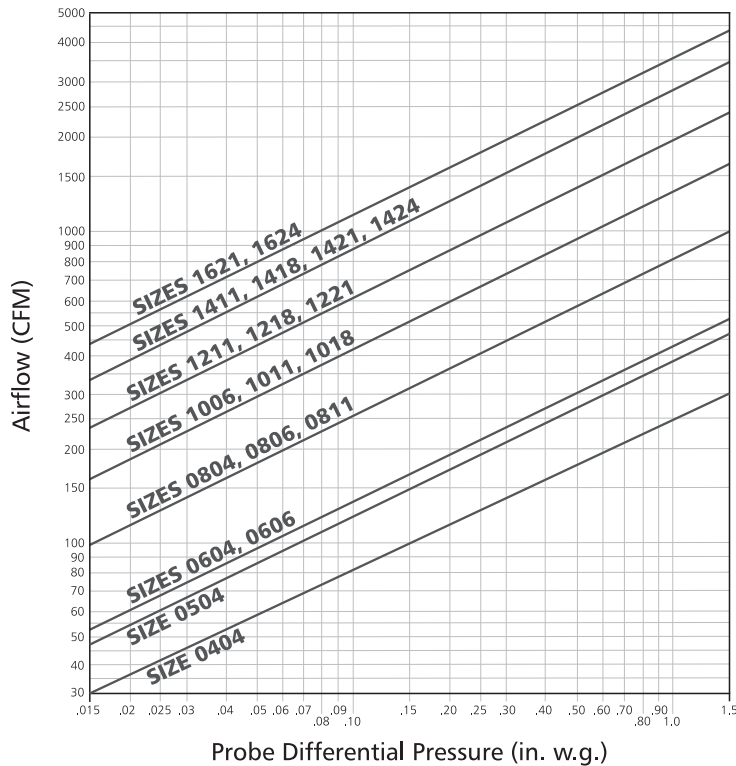
ARRANGEMENT 3
RIGHT HAND CONTROL UNIT
WITH RIGHT HAND COIL



ARRANGEMENT 4
RIGHT HAND CONTROL UNIT
WITH LEFT HAND COIL

PRIMARY AIRFLOW CALIBRATION

FLOWSTAR™ CALIBRATION CHART (For dead-end differential pressure transducers)



NOTE: Maximum and minimum CFM limits are dependent on the type of controls that are utilized. Refer to the table below when factory provided pneumatic or analog electronics controls are furnished by Johnson Controls. When DDC controls are furnished by others, the CFM limits are dependent on the specific control vendor that is employed. After obtaining the differential pressure range from the control vendor, the maximum and minimum CFM limits can be obtained from the chart (many controllers are capable of controlling minimum setpoint down to .015" w.g.).

AIRFLOW RANGES (CFM)

UNIT SIZE	400 SERIES (PNEUMATIC) STANDARD CONTROLLER		7000 SERIES ANALOG ELECTRONIC		DDC CONSIGNMENT CONTROLS (See Note 1 Below)				
	MIN.	MAX.	MIN.	MAX.	MIN.			MAX.	
					Min. transducer differential pressure (in.w.g.)			Max. transducer differential pressure (in.w.g.)	
					.015	.03	.05	1.0	≥1.5
0404	43	250	35	250	30	43	55	250	250
0504	68	350	50	350	48	68	88	350	350
0604, 0606	75	490	60	550	53	75	97	435	530
0804, 0806, 0811	145	960	115	1000	105	145	190	840	1000
1006, 1011, 1018	235	1545	185	1600	165	235	305	1355	1600
1211, 1218, 1221	340	2250	285	2300	240	340	440	1975	2300
1411, 1418, 1421, 1424	475	3100	390	3100	335	475	615	2750	3100
1621, 1624	625	4100	520	4100	440	625	805	3595	4100

NOTES:

1. Minimum and maximum airflow limits are dependent on the specific DDC controller supplied. Contact the control vendor to obtain the minimum and maximum differential pressure limits (inches W.G.) of the transducer utilized with the DDC controller.
2. Maximum CFM is limited to value shown in General Selection Data.

GENERAL SELECTION DATA, 50 Hz PSC MOTOR

PRIMARY AIR VALVE

UNIT SIZE	CFM	MIN. ΔPs (IN. W.G.)	ROOM NOISE CRITERIA (NC)					
			0.5" W.G. ΔPs		1.0" W.G. ΔPs		3.0" W.G. ΔPs	
			Dis.	Rad.	Dis.	Rad.	Dis.	Rad.
0606	200	.03	--	--	--	--	--	22
	250	.04	--	--	--	--	--	24
	300	.06	--	--	--	--	--	25
	350	.08	--	--	--	20	--	28
	450	.14	--	22	--	25	24	32
	550	.21	--	29	23	29	28	34
0806	300	.01	--	--	--	--	--	29
	400	.03	--	--	--	20	--	32
	500	.04	--	--	--	23	22	33
	600	.06	--	22	--	25	25	35
	800	.10	--	27	20	30	29	38
0811	1000	.15	20	32	24	35	32	40
	600	.01	--	--	--	24	24	32
	800	.01	--	23	--	27	25	35
	1000	.01	--	25	--	29	28	37
	1200	.02	--	29	20	32	30	40
1006	1400	.02	--	33	23	33	33	42
	1600	.03	22	34	25	35	34	44
	800	.01	--	20	--	24	24	34
	1100	.02	--	24	--	28	28	37
	1400	.04	--	28	22	32	32	40
1211	1700	.06	--	32	24	34	35	45
	2000	.08	--	35	25	38	38	48
	2300	.10	22	37	28	40	40	50
	1100	.02	--	--	--	23	25	33
	1500	.04	--	22	20	28	32	40
1418	1900	.06	--	24	24	33	35	44
	2300	.08	--	28	27	37	38	47
	2700	.12	22	30	28	38	43	50
	3100	.15	25	33	30	42	47	52
1424	1600	.01	--	24	--	33	29	42
	2100	.02	--	28	23	37	33	47
	2600	.03	22	30	28	39	36	49
	3100	.04	24	35	33	42	40	50
	3600	.05	25	37	37	43	44	54
1624	4100	.07	27	38	38	45	50	57

FAN

UNIT SIZE	CFM	ROOM NOISE CRITERIA (NC)	
		Discharge	Radiated
0606, 0806, 1006	300	--	27
0811, 1011, 1211	400	--	29
	675	--	32
1018, 1218, 1418	800	--	33
	1100	--	35
	1350	--	37
1221, 1421, 1621	1200	--	34
	1400	--	36
1424, 1624	1500	--	35
	1850	23	39

NOTES:

- Min. ΔPs is the static pressure difference between the terminal inlet and discharge with the damper wide open. Terminals equipped with electric heat (Model TVS-EH) require the addition of the heater pressure drop (see page 22) to determine the cumulative minimum ΔPs for the unit.
- Performance data obtained from tests conducted in accordance with ARI Standard 880.
- Dash (-) indicates NC level less than 20.
- NC values calculated based upon the 2002 Addendum to ARI Standard 885 Appendix E **Typical Sound Attenuation Values** (shown below), using Ceiling Type 2 for calculating Radiated NC.
- NC (sound pressure) levels predicted by subtracting appropriate values below from published sound power levels (following pages).

DISCHARGE ATTENUATION VALUES	OCTAVE BAND						
	2	3	4	5	6	7	
Small Box (< 300 CFM)	24	28	39	53	59	40	
Medium Box (300-700 CFM)	27	29	40	51	53	39	
Large Box (> 700 CFM)	29	30	41	51	52	39	

RADIATED ATTENUATION VALUES	OCTAVE BAND						
	2	3	4	5	6	7	
Type 2 - Mineral Fiber Ceiling	18	19	20	26	31	36	

HORSEPOWER / AMPERAGE DATA

UNIT SIZE	FAN HORSEPOWER			AMPERAGE		
	LOW	MED	HI	220V		
				LOW	MED	HI
0606, 0806, 1006	1/10	1/8	1/6	0.7	0.8	1.0
0811, 1011, 1211, 1411	1/6	1/5	1/4	1.0	1.1	1.6
1018, 1218, 1418	1/4	1/3	1/2	1.5	1.9	3.0
1221, 1421, 1621	1/3	1/2	5/8	2.1	3.4	3.6
1424, 1624	1/2	3/4	1	1.8	2.7	4.0

The Johnson Controls Windows® based Computer Selection Program is available through your Johnson Controls representative for complete TVS selection and performance data.

SOUND POWER DATA, 50 Hz PSC MOTOR

PRIMARY AIR VALVE, RADIATED

UNIT SIZE	CFM	0.5" W.G. ΔPs						1.0" W.G. ΔPs						3.0" W.G. ΔPs					
		OCTAVE BAND NUMBER						OCTAVE BAND NUMBER						OCTAVE BAND NUMBER					
		2	3	4	5	6	7	2	3	4	5	6	7	2	3	4	5	6	7
0606	200	47	40	37	32	27	28	51	44	41	35	29	28	57	51	48	41	34	32
	250	49	42	39	34	29	28	53	46	43	36	30	28	59	53	50	42	35	32
	300	52	45	41	36	30	28	56	47	44	38	31	28	62	55	51	43	36	33
	350	55	47	43	37	32	29	57	49	46	39	33	29	64	57	52	44	37	33
	450	59	52	46	39	33	29	62	54	49	42	36	31	67	60	55	47	40	35
	550	65	56	50	42	35	31	65	57	52	43	37	32	69	62	57	48	41	36
0806 0811	300	51	43	39	33	28	26	57	50	45	37	31	28	62	57	54	47	38	35
	400	53	45	40	35	29	27	58	51	46	39	32	29	65	61	57	48	40	36
	500	56	47	42	36	31	28	60	52	47	40	34	30	66	62	58	49	41	37
	600	59	49	44	37	33	29	62	53	48	41	36	31	68	64	59	50	43	38
	800	63	53	47	40	36	30	66	56	50	44	39	32	71	67	60	51	45	39
	1000	67	57	51	43	38	32	70	60	54	46	41	34	74	69	61	52	46	41
1006 1011 1018	600	57	48	41	34	29	27	61	52	46	38	32	29	67	60	56	48	39	35
	800	60	51	44	37	31	28	63	54	48	40	33	30	70	62	58	50	41	38
	1000	62	52	45	39	33	29	65	56	50	43	37	34	71	64	59	51	43	39
	1200	65	55	48	41	35	32	67	58	52	45	39	36	74	65	60	52	46	43
	1400	68	58	51	44	38	34	68	60	54	46	40	37	75	67	61	54	47	46
	1600	69	60	52	45	39	35	70	62	56	48	42	38	77	68	62	55	49	47
1211 1218 1221	800	58	48	42	36	29	27	61	53	47	39	33	30	68	63	57	48	42	39
	1100	61	52	46	38	31	28	64	55	49	41	35	31	71	65	59	50	44	40
	1400	64	56	48	40	33	29	67	58	52	43	37	33	74	67	61	52	45	41
	1700	67	59	52	43	36	31	69	61	54	46	39	35	78	69	63	54	47	43
	2000	70	61	54	46	38	33	72	63	57	48	41	36	80	71	64	55	49	45
	2300	71	63	56	47	40	35	74	65	59	50	43	38	82	72	66	57	51	47
1411 1418 1421 1424	1100	55	46	41	34	28	28	60	52	46	38	31	30	68	62	56	46	40	38
	1500	59	49	43	36	30	29	64	55	48	40	33	31	74	66	59	50	42	39
	1900	61	52	45	38	32	30	68	57	49	42	35	33	77	68	61	51	45	42
	2300	64	54	47	40	34	31	71	59	51	44	38	35	79	69	62	52	46	43
	2700	66	56	49	42	36	33	72	61	53	46	40	38	82	70	63	54	48	46
	3100	68	58	51	44	38	34	75	62	55	47	42	40	83	71	63	55	49	47
1621 1624	1600	61	53	47	37	30	28	68	60	53	43	36	32	75	69	62	52	45	42
	2100	64	56	49	42	34	31	71	62	55	46	39	35	79	73	66	56	49	45
	2600	66	58	51	43	37	33	73	64	56	48	40	36	81	74	67	57	50	46
	3100	70	60	53	44	38	34	75	65	58	50	42	37	82	76	68	59	51	47
	3600	71	61	54	46	39	35	76	66	59	51	43	39	84	77	69	61	52	48
	4100	72	63	57	48	40	36	78	68	60	52	44	40	86	78	70	62	55	51

NOTES:

- Data obtained from tests conducted in accordance with ARI Standard 880.
- Sound levels are expressed in decibels, dB re: 1 x 10¹² Watts.
- ΔPs is the difference in static pressure across the primary air valve.

The Johnson Controls Windows® based Computer Selection Program is available through your Johnson Controls representative for complete TVS selection and performance data.

SOUND POWER DATA, 50 Hz PSC MOTOR

PRIMARY AIR VALVE, DISCHARGE

UNIT SIZE	CFM	0.5" W.G. ΔPs						1.0" W.G. ΔPs						3.0" W.G. ΔPs					
		OCTAVE BAND NUMBER						OCTAVE BAND NUMBER						OCTAVE BAND NUMBER					
		2	3	4	5	6	7	2	3	4	5	6	7	2	3	4	5	6	7
0606	200	47	44	41	33	30	29	49	49	45	39	34	34	53	54	52	50	44	44
	250	49	47	42	35	31	30	51	51	46	40	34	34	56	57	54	51	44	44
	300	52	49	44	37	31	30	54	53	48	41	35	35	58	59	55	51	45	45
	350	55	51	46	38	34	33	57	56	50	43	37	37	61	61	58	52	45	45
	450	60	56	51	43	38	37	62	59	54	46	41	40	65	65	61	54	47	47
	550	64	59	54	47	41	40	67	64	58	50	45	44	69	68	64	57	50	50
0806 0811	300	49	46	43	38	33	31	53	52	48	44	38	37	58	57	58	58	49	48
	400	52	49	46	41	36	32	57	54	50	46	41	40	62	61	61	59	50	50
	500	55	51	48	43	38	35	59	56	52	47	43	41	64	63	62	60	51	51
	600	58	54	50	45	40	38	61	59	55	49	45	43	67	66	63	61	53	52
	800	63	58	53	48	43	41	66	63	58	52	48	47	70	70	66	62	56	55
	1000	67	63	58	53	47	46	70	66	61	56	51	50	73	72	69	63	59	58
1006 1011 1018	600	54	50	45	40	35	32	58	56	51	46	41	40	64	65	63	59	51	50
	800	56	52	47	41	36	34	62	59	53	49	43	41	67	67	64	60	53	52
	1000	60	56	50	46	40	37	64	61	56	51	46	44	70	69	65	61	55	53
	1200	63	58	53	49	42	40	65	63	57	53	47	45	72	71	67	63	57	55
	1400	66	61	56	52	45	43	68	65	60	55	49	47	75	73	68	64	58	57
	1600	69	64	59	55	47	46	71	67	62	57	51	49	76	74	70	65	60	58
1211 1218 1221	800	57	52	48	41	37	33	61	58	54	49	46	43	67	66	65	61	55	54
	1100	60	55	51	45	42	38	65	61	57	52	48	45	71	69	67	62	57	56
	1400	62	57	52	47	44	41	68	64	59	54	50	48	74	72	68	64	59	58
	1700	65	60	55	50	46	44	70	66	61	56	52	50	79	75	71	67	62	60
	2000	68	62	59	53	49	47	73	67	62	57	53	51	81	78	73	68	64	61
	2300	70	64	61	55	51	49	75	69	64	60	55	54	84	80	75	70	66	63
1411 1418 1421 1424	1100	60	53	49	40	35	30	65	60	55	49	46	42	72	67	64	59	56	53
	1500	62	55	51	45	41	36	69	62	57	52	48	45	76	72	68	63	59	56
	1900	64	57	53	48	43	39	72	64	59	53	49	46	79	75	71	65	61	58
	2300	67	60	56	52	46	42	74	66	61	55	51	48	83	77	72	66	62	59
	2700	70	62	59	57	50	46	75	68	63	58	53	50	87	79	74	68	63	60
	3100	73	65	61	58	53	49	77	69	64	62	55	52	90	81	75	69	64	61
1621 1624	1600	62	55	51	46	43	40	66	62	57	53	50	47	74	70	67	64	61	58
	2100	66	58	54	48	45	42	71	64	60	55	52	49	77	73	70	66	63	60
	2600	70	61	55	50	48	45	75	67	62	57	54	52	81	76	72	67	65	62
	3100	72	63	57	53	50	48	79	70	64	58	56	54	85	79	74	69	67	64
	3600	73	64	59	56	52	50	82	72	65	60	57	56	88	81	76	71	68	66
	4100	74	66	62	58	55	53	83	73	67	62	59	57	93	83	77	72	69	67

NOTES:

- Data obtained from tests conducted in accordance with ARI Standard 880.
- Sound levels are expressed in decibels, dB re: 1 x 10¹² Watts.
- ΔPs is the difference in static pressure across the primary air valve.

The Johnson Controls Windows® based Computer Selection Program is available through your Johnson Controls representative for complete TVS selection and performance data.

SOUND POWER DATA, 50 Hz PSC MOTOR

UNIT FAN ONLY

UNIT SIZE	CFM	RADIATED SOUND POWER DATA						DISCHARGE SOUND POWER DATA					
		OCTAVE BAND NUMBER						OCTAVE BAND NUMBER					
		2	3	4	5	6	7	2	3	4	5	6	7
0606 0806 1006	300	62	54	52	47	43	40	51	50	48	41	38	37
0811 1011	400	64	57	50	48	45	38	54	50	50	44	41	37
1211 1411	675	68	61	57	53	50	47	59	55	56	54	49	44
1018	800	65	58	58	53	47	45	58	53	54	51	45	44
1218	1100	68	61	60	57	52	51	61	56	56	54	49	49
1418	1350	71	64	62	60	56	55	64	59	59	58	54	55
1221 1421	1200	67	63	59	55	53	51	63	57	57	55	49	49
1621	1400	69	65	61	58	56	54	65	59	59	58	52	52
1424	1500	68	64	58	57	55	53	65	60	60	57	53	52
1624	1850	72	68	63	62	60	59	68	63	65	63	60	59

NOTES:

- Data obtained from tests conducted in accordance with ARI Standard 880.
- Sound levels are expressed in decibels, dB re: 1 x 10⁻¹² Watts.
- Fan external static pressure is 0.25 inches w.g.

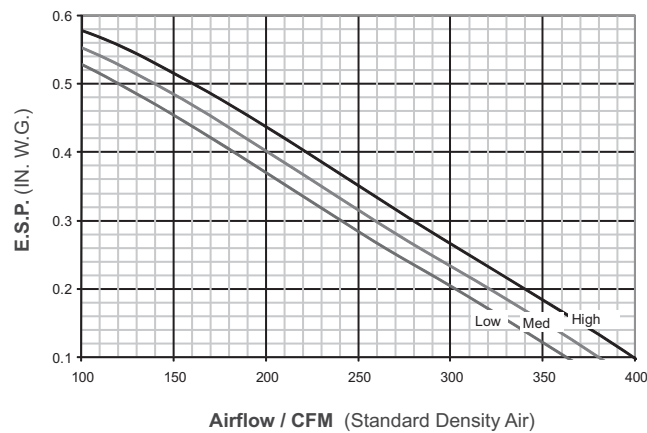
FAN PERFORMANCE DATA, 50 Hz PSC MOTOR

GENERAL FAN NOTE

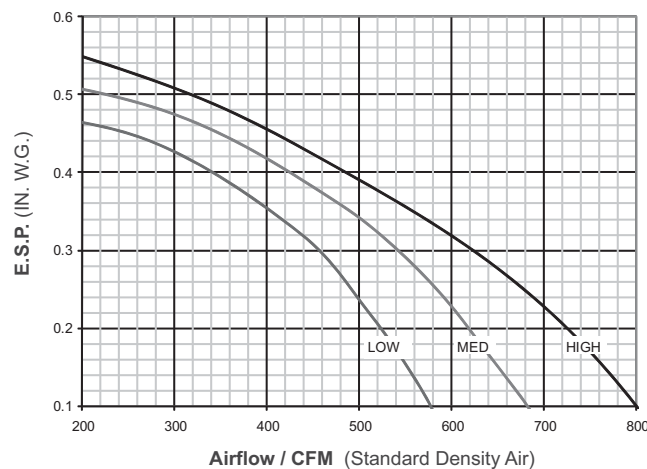
Each fan curve depicts the actual performance for the relative motor tap without any additional fan balance adjustment. Actual specified capacities which fall below a particular fan curve (LOW, MED or HI) can be obtained by adjustment of the electronic fan speed controller. Selections should only be made in the area below and/or to the left of each particular fan curve. The minimum external static pressure requirement is shown for each fan assembly. The unit fan should not be energized prior to realizing this minimum external static pressure.

Terminals with electric heat (Model TVS-EH) require a minimum of 0.1" w.g. downstream pressure.

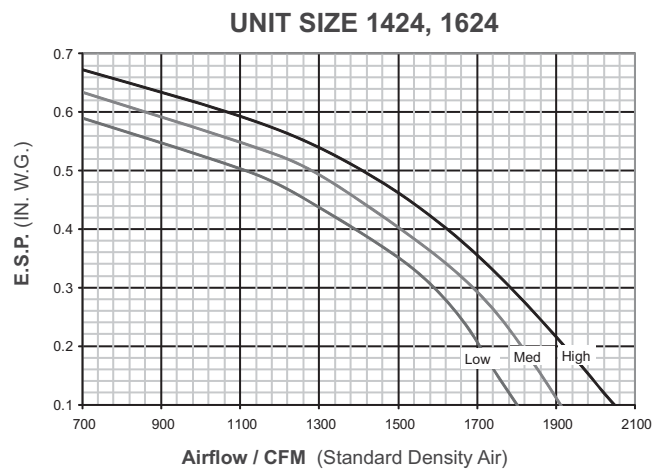
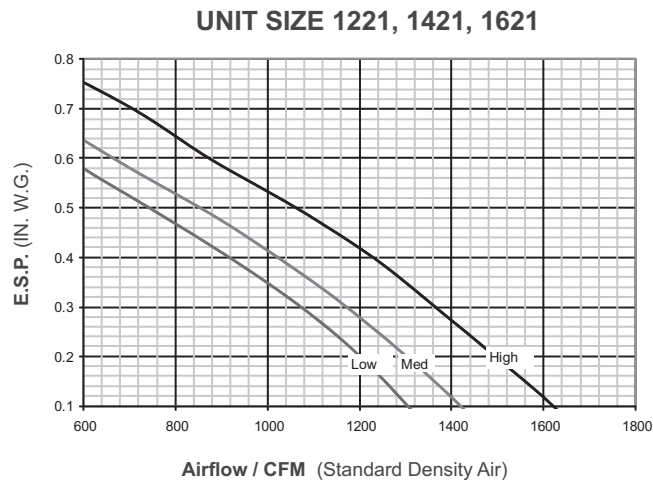
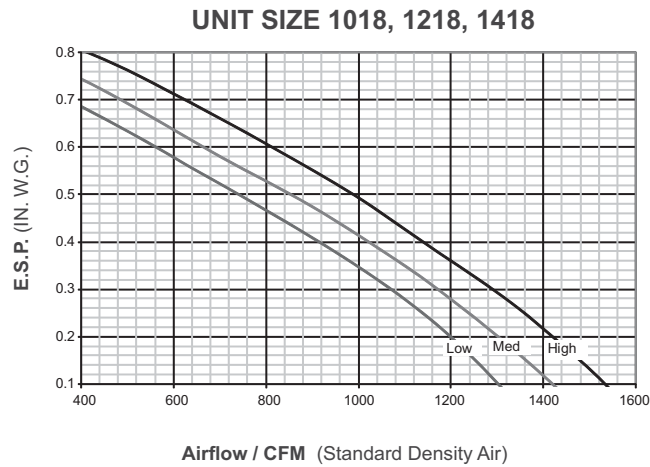
UNIT SIZE 0606, 0806, 1006



UNIT SIZE 0811, 1011, 1211



FAN PERFORMANCE DATA, 50 Hz PSC MOTOR



GENERAL SELECTION DATA, 60 Hz PSC MOTOR

PRIMARY AIR VALVE

UNIT SIZE	CFM	MIN. ΔPs (IN. W.G.)	ROOM NOISE CRITERIA (NC)					
			0.5" W.G. ΔPs		1.0" W.G. ΔPs		3.0" W.G. ΔPs	
			Dis.	Rad.	Dis.	Rad.	Dis.	Rad.
0404	100	.01	--	--	--	--	--	--
	150	.01	--	--	--	--	20	23
	200	.02	--	--	--	23	25	29
	250	.02	--	23	23	27	30	34
0504	100	.01	--	--	--	--	--	--
	200	.01	--	--	--	--	--	22
	300	.02	--	--	--	22	20	28
	350	.02	--	20	--	24	23	30
0604 0606	200	.03	--	--	--	--	--	22
	250	.04	--	--	--	--	--	24
	300	.06	--	--	--	--	--	25
	350	.08	--	--	--	20	--	28
	450	.14	--	22	--	25	24	32
0804 0806 0811	550	.21	--	29	23	29	28	34
	300	.01	--	--	--	--	--	29
	400	.03	--	--	--	20	--	32
	500	.04	--	--	--	23	22	33
	600	.06	--	22	--	25	25	35
	800	.10	--	27	20	30	29	38
	1000	.15	20	32	24	35	32	40
1006 1011 1018	600	.01	--	--	--	24	24	32
	800	.01	--	23	--	27	25	35
	1000	.01	--	25	--	29	28	37
	1200	.02	--	29	20	32	30	40
	1400	.02	--	33	23	33	33	42
	1600	.03	22	34	25	35	34	44
1211 1218 1221	800	.01	--	20	--	24	24	34
	1100	.02	--	24	--	28	28	37
	1400	.04	--	28	22	32	32	40
	1700	.06	--	32	24	34	35	45
	2000	.08	--	35	25	38	38	48
1411 1418 1421 1424	2300	.10	22	37	28	40	40	50
	1100	.02	--	--	--	23	25	33
	1500	.04	--	22	20	28	32	40
	1900	.06	--	24	24	33	35	44
	2300	.08	--	28	27	37	38	47
1621 1624	2700	.12	22	30	28	38	43	50
	3100	.15	25	33	30	42	47	52
	1600	.01	--	24	--	33	29	42
	2100	.02	--	28	23	37	33	47
	2600	.03	22	30	28	39	36	49
	3100	.04	24	35	33	42	40	50
1621 1624	3600	.05	25	37	37	43	44	54
	4100	.07	27	38	38	45	50	57

FAN

UNIT SIZE	CFM	ROOM NOISE CRITERIA (NC)	
		Discharge	Radiated
0404 0504 0604 0804	200	--	26
	300	--	32
	400	--	35
	450	--	36
0606 0806 1006	300	--	27
	400	--	34
	500	--	37
0811 1011 1211	400	--	29
	700	--	33
	1000	20	39
1018 1218 1418	800	--	33
	1100	--	35
	1400	20	37
	1800	28	43
1221 1421 1621	1200	--	34
	1600	20	38
	2000	28	43
1424 1624	1500	--	35
	1900	23	39
	2400	30	44

NOTES:

- Min. ΔPs is the static pressure difference between the terminal inlet and discharge with the damper wide open. Terminals equipped with electric heat (Model TVS-EH) require the addition of the heater pressure drop (see page 22) to determine the cumulative minimum ΔPs for the unit.
- Performance data obtained from tests conducted in accordance with ARI Standard 880.
- Dash (-) indicates NC level less than 20.
- NC values calculated based upon the 2002 Addendum to ARI Standard 885 Appendix E **Typical Sound Attenuation Values** (shown below), using Ceiling Type 2 for calculating Radiated NC.
- NC (sound pressure) levels predicted by subtracting appropriate values below from published sound power levels (following pages).

DISCHARGE ATTENUATION VALUES	OCTAVE BAND					
	2	3	4	5	6	7
Small Box (< 300 CFM)	24	28	39	53	59	40
Medium Box (300-700 CFM)	27	29	40	51	53	39
Large Box (> 700 CFM)	29	30	41	51	52	39

RADIATED ATTENUATION VALUES	OCTAVE BAND					
	2	3	4	5	6	7
Type 2 - Mineral Fiber Ceiling	18	19	20	26	31	36

HORSEPOWER / AMPERAGE DATA

UNIT SIZE	FAN HORSEPOWER			AMPERAGE								
				115V			208V			277V		
	LOW	MED	HI	LOW	MED	HI	LOW	MED	HI	LOW	MED	HI
0404, 0504, 0604, 0804	1/60	1/25	1/12	0.5	0.8	1.1	0.3	0.4	0.6	0.37	0.45	0.5
0606, 0806, 1006	1/10	1/8	1/6	2.2	2.4	2.7	0.55	0.9	1.4	0.8	0.9	1.0
0811, 1011, 1211, 1411	1/8	1/6	1/4	3.7	4.1	4.9	1.1	1.5	2.2	1.4	1.7	2.0
1018, 1218, 1418	1/4	1/3	1/2	8.8	9.3	9.6	2.3	2.7	4.0	2.8	2.9	3.6
1221, 1421, 1621	1/3	1/2	3/4	9.4	10.3	10.5	2.5	3.2	4.2	3.6	3.7	4.3
1424, 1624	1/2	3/4	1	8.9	11.0	12.3	1.8	2.8	5.3	3.4	3.8	4.5

The Johnson Controls Windows® based Computer Selection Program is available through your Johnson Controls representative for complete TVS selection and performance data.

SOUND POWER DATA, 60 Hz PSC MOTOR

PRIMARY AIR VALVE, RADIATED

UNIT SIZE	CFM	0.5" W.G. ΔPs						1.0" W.G. ΔPs						3.0" W.G. ΔPs					
		OCTAVE BAND NUMBER						OCTAVE BAND NUMBER						OCTAVE BAND NUMBER					
		2	3	4	5	6	7	2	3	4	5	6	7	2	3	4	5	6	7
0404	100	49	42	36	29	29	29	52	45	39	30	30	29	54	47	44	36	33	33
	150	52	45	38	31	29	29	57	49	42	33	31	29	60	53	48	39	35	34
	200	57	48	40	33	29	29	60	52	44	35	32	30	65	57	51	41	37	36
	250	60	52	44	36	30	30	63	54	47	38	33	31	69	61	53	43	39	37
0504	100	46	39	35	29	26	27	48	41	39	30	27	28	53	44	42	37	34	34
	200	51	43	38	30	27	28	54	45	41	33	29	29	59	51	48	40	36	35
	300	55	47	42	34	29	29	59	49	45	36	31	30	64	56	51	43	37	36
	350	58	50	44	36	30	29	61	52	47	38	33	31	66	57	52	44	38	37
0604 0606	200	47	40	37	32	27	28	51	44	41	35	29	28	57	51	48	41	34	32
	250	49	42	39	34	29	28	53	46	43	36	30	28	59	53	50	42	35	32
	300	52	45	41	36	30	28	56	47	44	38	31	28	62	55	51	43	36	33
	350	55	47	43	37	32	29	57	49	46	39	33	29	64	57	52	44	37	33
	450	59	52	46	39	33	29	62	54	49	42	36	31	67	60	55	47	40	35
	550	65	56	50	42	35	31	65	57	52	43	37	32	69	62	57	48	41	36
0804 0806 0811	300	51	43	39	33	28	26	57	50	45	37	31	28	62	57	54	47	38	35
	400	53	45	40	35	29	27	58	51	46	39	32	29	65	61	57	48	40	36
	500	56	47	42	36	31	28	60	52	47	40	34	30	66	62	58	49	41	37
	600	59	49	44	37	33	29	62	53	48	41	36	31	68	64	59	50	43	38
	800	63	53	47	40	36	30	66	56	50	44	39	32	71	67	60	51	45	39
	1000	67	57	51	43	38	32	70	60	54	46	41	34	74	69	61	52	46	41
1006 1011 1018	600	57	48	41	34	29	27	61	52	46	38	32	29	67	60	56	48	39	35
	800	60	51	44	37	31	28	63	54	48	40	33	30	70	62	58	50	41	38
	1000	62	52	45	39	33	29	65	56	50	43	37	34	71	64	59	51	43	39
	1200	65	55	48	41	35	32	67	58	52	45	39	36	74	65	60	52	46	43
	1400	68	58	51	44	38	34	68	60	54	46	40	37	75	67	61	54	47	46
	1600	69	60	52	45	39	35	70	62	56	48	42	38	77	68	62	55	49	47
1211 1218 1221	800	58	48	42	36	29	27	61	53	47	39	33	30	68	63	57	48	42	39
	1100	61	52	46	38	31	28	64	55	49	41	35	31	71	65	59	50	44	40
	1400	64	56	48	40	33	29	67	58	52	43	37	33	74	67	61	52	45	41
	1700	67	59	52	43	36	31	69	61	54	46	39	35	78	69	63	54	47	43
	2000	70	61	54	46	38	33	72	63	57	48	41	36	80	71	64	55	49	45
	2300	71	63	56	47	40	35	74	65	59	50	43	38	82	72	66	57	51	47
1411 1418 1421 1424	1100	55	46	41	34	28	28	60	52	46	38	31	30	68	62	56	46	40	38
	1500	59	49	43	36	30	29	64	55	48	40	33	31	74	66	59	50	42	39
	1900	61	52	45	38	32	30	68	57	49	42	35	33	77	68	61	51	45	42
	2300	64	54	47	40	34	31	71	59	51	44	38	35	79	69	62	52	46	43
	2700	66	56	49	42	36	33	72	61	53	46	40	38	82	70	63	54	48	46
	3100	68	58	51	44	38	34	75	62	55	47	42	40	83	71	63	55	49	47
1621 1624	1600	61	53	47	37	30	28	68	60	53	43	36	32	75	69	62	52	45	42
	2100	64	56	49	42	34	31	71	62	55	46	39	35	79	73	66	56	49	45
	2600	66	58	51	43	37	33	73	64	56	48	40	36	81	74	67	57	50	46
	3100	70	60	53	44	38	34	75	65	58	50	42	37	82	76	68	59	51	47
	3600	71	61	54	46	39	35	76	66	59	51	43	39	84	77	69	61	52	48
	4100	72	63	57	48	40	36	78	68	60	52	44	40	86	78	70	62	55	51

NOTES:

- Data obtained from tests conducted in accordance with ARI Standard 880.
- Sound levels are expressed in decibels, dB re: 1 x 10¹² Watts.
- ΔPs is the difference in static pressure across the primary air valve.

The Johnson Controls Windows® based Computer Selection Program is available through your Johnson Controls representative for complete TVS selection and performance data.

SOUND POWER DATA, 60 Hz PSC MOTOR

PRIMARY AIR VALVE, DISCHARGE

UNIT SIZE	CFM	0.5" W.G. ΔPs							1.0" W.G. ΔPs							3.0" W.G. ΔPs						
		OCTAVE BAND NUMBER							OCTAVE BAND NUMBER							OCTAVE BAND NUMBER						
		2	3	4	5	6	7	2	3	4	5	6	7	2	3	4	5	6	7			
0404	100	48	49	41	33	28	28	49	52	45	38	32	32	50	53	49	46	42	42			
	150	50	52	44	37	31	31	52	57	49	41	36	36	56	61	55	50	45	45			
	200	53	56	47	40	34	34	56	60	51	44	39	39	61	65	58	52	47	47			
	250	57	59	50	44	37	37	60	63	54	47	41	41	65	69	61	54	49	49			
0504	100	43	43	41	33	29	29	44	45	44	39	34	34	48	47	47	47	44	44			
	200	47	46	43	37	32	32	50	51	47	41	37	37	55	56	54	52	47	47			
	300	54	53	48	42	36	35	55	56	51	45	40	40	61	62	58	54	48	48			
	350	56	55	51	45	39	38	58	58	53	48	42	42	63	64	60	56	50	50			
0604 0606	200	47	44	41	33	30	29	49	49	45	39	34	34	53	54	52	50	44	44			
	250	49	47	42	35	31	30	51	51	46	40	34	34	56	57	54	51	44	44			
	300	52	49	44	37	31	30	54	53	48	41	35	35	58	59	55	51	45	45			
	350	55	51	46	38	34	33	57	56	50	43	37	37	61	61	58	52	45	45			
	450	60	56	51	43	38	37	62	59	54	46	41	40	65	65	61	54	47	47			
	550	64	59	54	47	41	40	67	64	58	50	45	44	69	68	64	57	50	50			
0804 0806 0811	300	49	46	43	38	33	31	53	52	48	44	38	37	58	57	58	58	49	48			
	400	52	49	46	41	36	32	57	54	50	46	41	40	62	61	61	59	50	50			
	500	55	51	48	43	38	35	59	56	52	47	43	41	64	63	62	60	51	51			
	600	58	54	50	45	40	38	61	59	55	49	45	43	67	66	63	61	53	52			
	800	63	58	53	48	43	41	66	63	58	52	48	47	70	70	66	62	56	55			
	1000	67	63	58	53	47	46	70	66	61	56	51	50	73	72	69	63	59	58			
1006 1011 1018	600	54	50	45	40	35	32	58	56	51	46	41	40	64	65	63	59	51	50			
	800	56	52	47	41	36	34	62	59	53	49	43	41	67	67	64	60	53	52			
	1000	60	56	50	46	40	37	64	61	56	51	46	44	70	69	65	61	55	53			
	1200	63	58	53	49	42	40	65	63	57	53	47	45	72	71	67	63	57	55			
	1400	66	61	56	52	45	43	68	65	60	55	49	47	75	73	68	64	58	57			
	1600	69	64	59	55	47	46	71	67	62	57	51	49	76	74	70	65	60	58			
1211 1218 1221	800	57	52	48	41	37	33	61	58	54	49	46	43	67	66	65	61	55	54			
	1100	60	55	51	45	42	38	65	61	57	52	48	45	71	69	67	62	57	56			
	1400	62	57	52	47	44	41	68	64	59	54	50	48	74	72	68	64	59	58			
	1700	65	60	55	50	46	44	70	66	61	56	52	50	79	75	71	67	62	60			
	2000	68	62	59	53	49	47	73	67	62	57	53	51	81	78	73	68	64	61			
	2300	70	64	61	55	51	49	75	69	64	60	55	54	84	80	75	70	66	63			
1411 1418 1421 1424	1100	60	53	49	40	35	30	65	60	55	49	46	42	72	67	64	59	56	53			
	1500	62	55	51	45	41	36	69	62	57	52	48	45	76	72	68	63	59	56			
	1900	64	57	53	48	43	39	72	64	59	53	49	46	79	75	71	65	61	58			
	2300	67	60	56	52	46	42	74	66	61	55	51	48	83	77	72	66	62	59			
	2700	70	62	59	57	50	46	75	68	63	58	53	50	87	79	74	68	63	60			
	3100	73	65	61	58	53	49	77	69	64	62	55	52	90	81	75	69	64	61			
1621 1624	1600	62	55	51	46	43	40	66	62	57	53	50	47	74	70	67	64	61	58			
	2100	66	58	54	48	45	42	71	64	60	55	52	49	77	73	70	66	63	60			
	2600	70	61	55	50	48	45	75	67	62	57	54	52	81	76	72	67	65	62			
	3100	72	63	57	53	50	48	79	70	64	58	56	54	85	79	74	69	67	64			
	3600	73	64	59	56	52	50	82	72	65	60	57	56	88	81	76	71	68	66			
	4100	74	66	62	58	55	53	83	73	67	62	59	57	93	83	77	72	69	67			

NOTES:

- Data obtained from tests conducted in accordance with ARI Standard 880.
- Sound levels are expressed in decibels, dB re: 1 x 10¹² Watts.
- ΔPs is the difference in static pressure across the primary air valve.

The Johnson Controls Windows® based Computer Selection Program is available through your Johnson Controls representative for complete TVS selection and performance data.

SOUND POWER DATA, 60 Hz PSC MOTOR

UNIT FAN ONLY

UNIT SIZE	CFM	RADIATED SOUND POWER DATA						DISCHARGE SOUND POWER DATA							
		OCTAVE BAND NUMBER							OCTAVE BAND NUMBER						
		2	3	4	5	6	7	2	3	4	5	6	7		
0404 0504 0604 0804	200	63	57	52	50	44	39	53	48	47	40	36	31		
	300	66	62	57	52	46	44	54	52	48	45	40	36		
	400	67	64	57	52	46	45	54	53	49	50	44	40		
	450	68	65	58	54	48	46	56	55	52	52	46	43		
0606 0806 1006	300	62	54	52	47	43	40	51	50	48	41	38	37		
	400	69	62	56	52	50	49	55	54	51	47	44	43		
	500	71	65	58	56	53	52	60	59	55	52	49	49		
0811 1011 1211 1411	400	64	57	50	48	45	38	54	50	50	44	41	37		
	700	68	61	58	54	50	48	59	55	57	55	50	45		
	1000	73	66	63	62	57	57	64	62	63	64	58	56		
1018 1218 1418	800	65	58	58	53	47	45	58	53	54	51	45	44		
	1100	68	61	60	57	52	51	61	56	56	54	49	49		
	1400	71	65	62	61	57	56	65	60	60	59	55	56		
	1800	75	70	67	65	62	62	70	68	66	68	63	64		
1221 1421 1621	1200	67	63	59	55	53	51	63	57	57	55	49	49		
	1600	72	67	63	61	59	58	68	62	62	61	56	56		
	2000	75	70	67	66	64	63	71	67	67	68	63	64		
1424 1624	1500	68	64	58	57	55	53	65	60	60	57	53	52		
	1900	72	68	63	62	60	59	68	63	65	63	60	59		
	2400	76	72	68	67	65	63	72	68	69	70	66	66		

NOTES:

- Data obtained from tests conducted in accordance with ARI Standard 880.
- Sound levels are expressed in decibels, dB re: 1 x 10⁻¹² Watts.
- Fan external static pressure is 0.25 inches w.g.

The Johnson Controls Windows® based Computer Selection Program is available through your Johnson Controls representative for complete TVS selection and performance data.

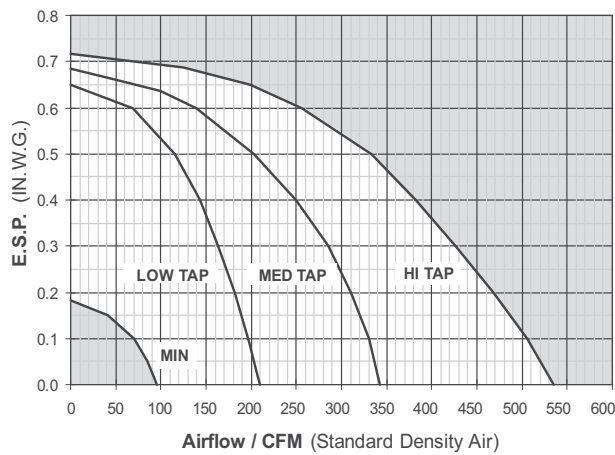
FAN PERFORMANCE DATA, 60 Hz PSC MOTOR

GENERAL FAN NOTE

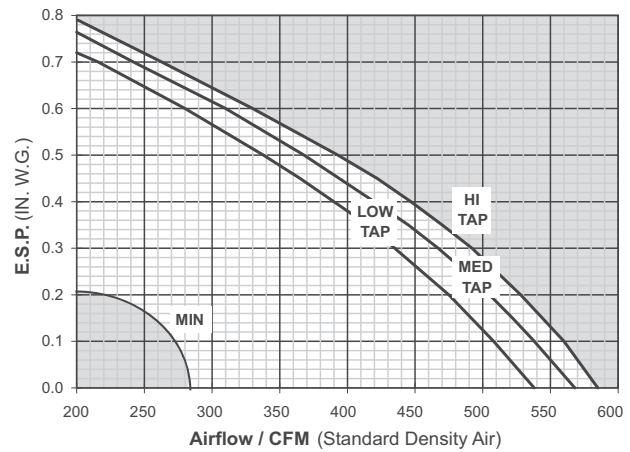
Each fan curve depicts the actual performance for the relative motor tap without any additional fan balance adjustment. Actual specified capacities which fall below a particular fan curve (LOW, MED or HI) can be obtained by adjustment of the electronic fan speed controller. Selections should only be made in the non-shaded areas. The minimum external static pressure requirement is shown for each fan assembly. The unit fan should not be energized prior to realizing this minimum external static pressure.

Terminals with electric heat (Model TVS-EH) require a minimum of 0.1" w.g. downstream pressure.

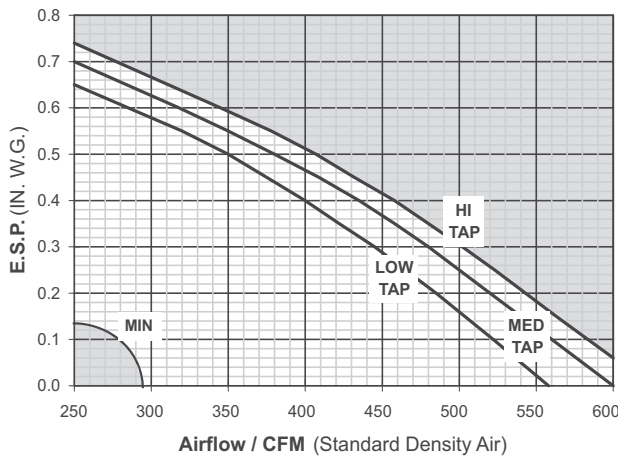
UNIT SIZES 0404, 0504, 0604, 0804



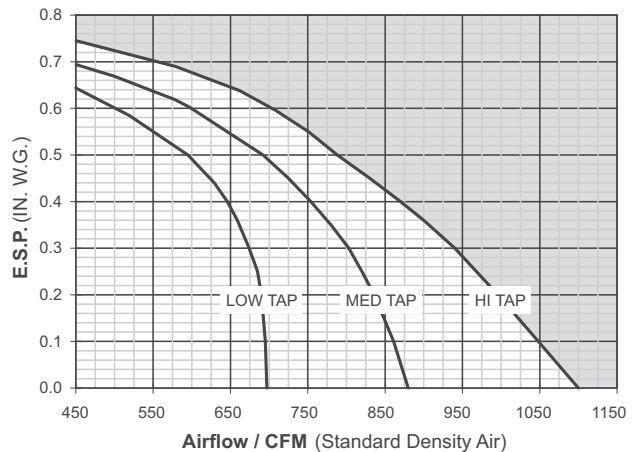
UNIT SIZE 0606



UNIT SIZE 0806

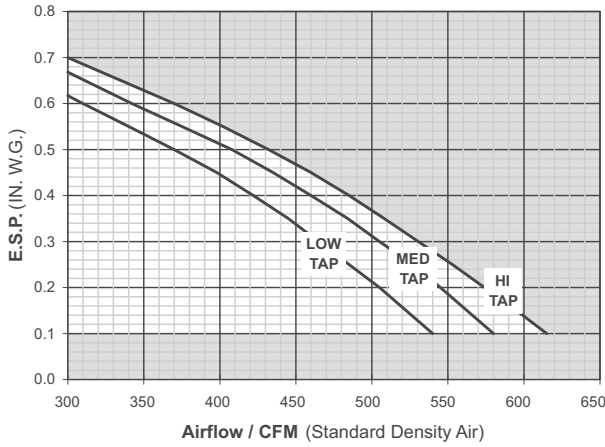


UNIT SIZE 0811

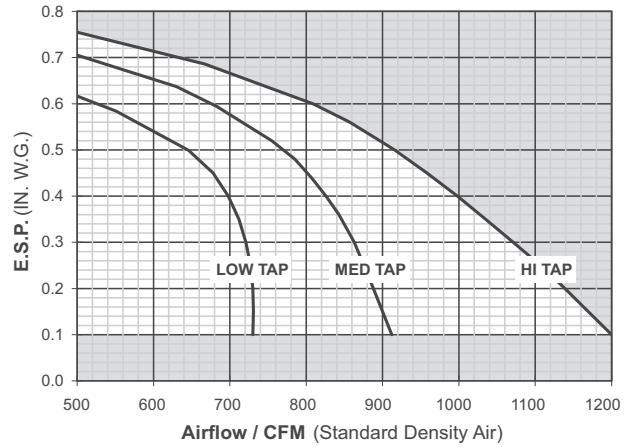


FAN PERFORMANCE DATA, 60 Hz PSC MOTOR

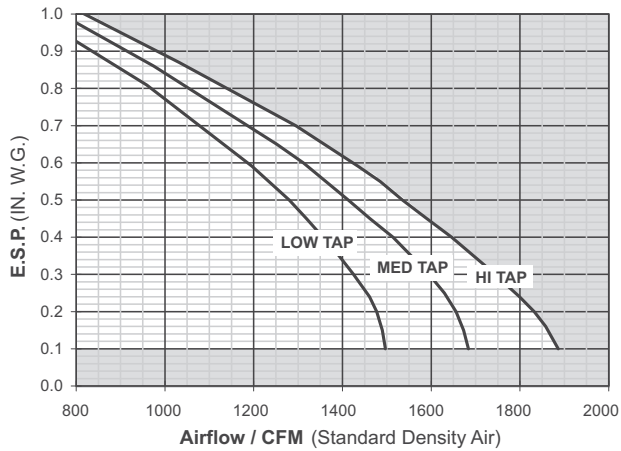
UNIT SIZE 1006



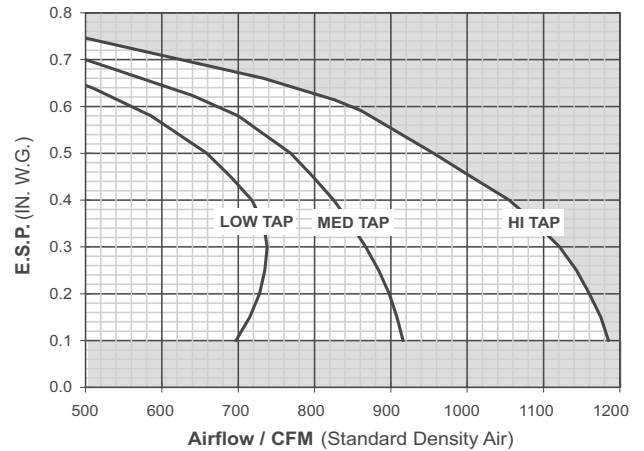
UNIT SIZE 1011



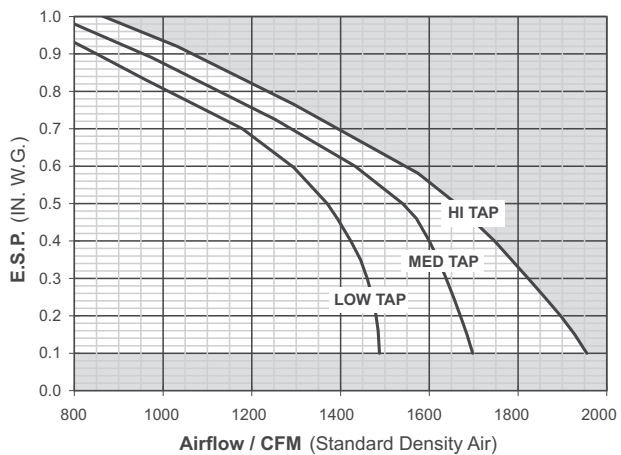
UNIT SIZE 1018



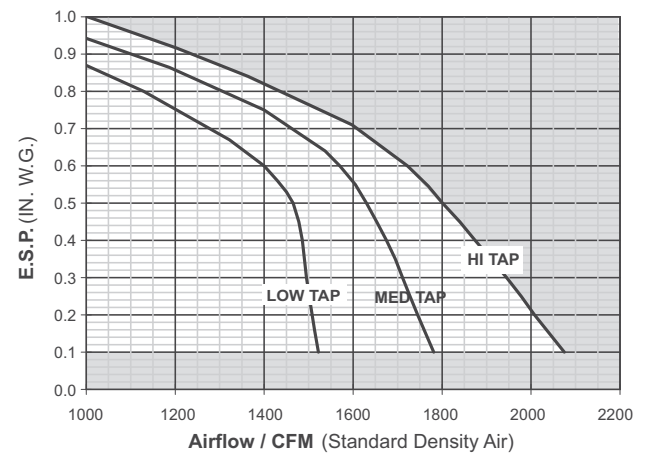
UNIT SIZE 1211



UNIT SIZE 1218

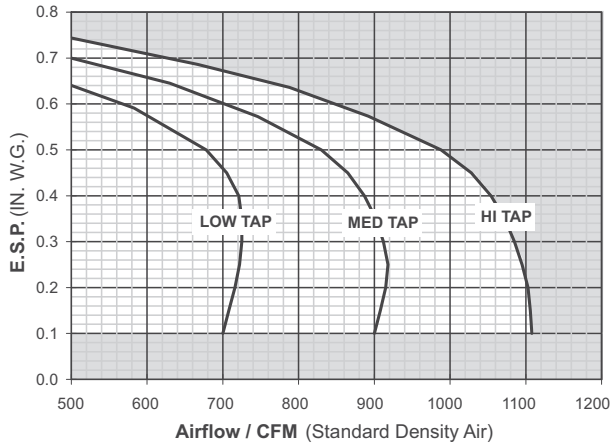


UNIT SIZE 1221

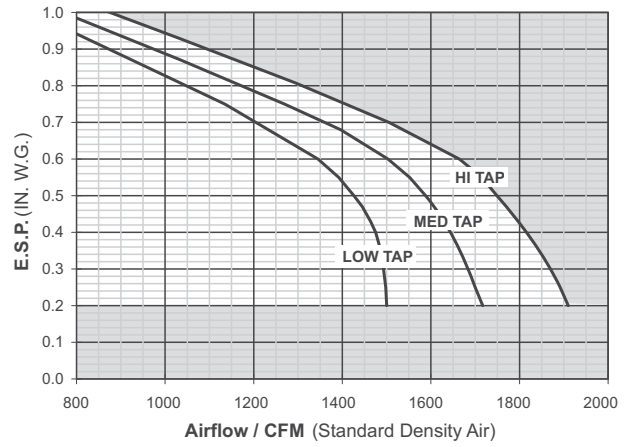


FAN PERFORMANCE DATA, 60 Hz PSC MOTOR

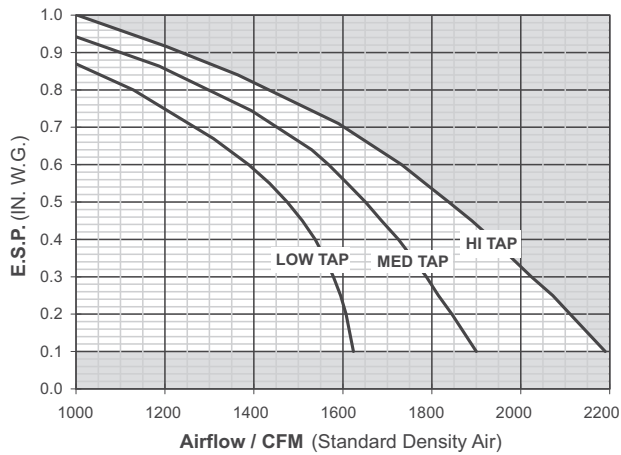
UNIT SIZE 1411



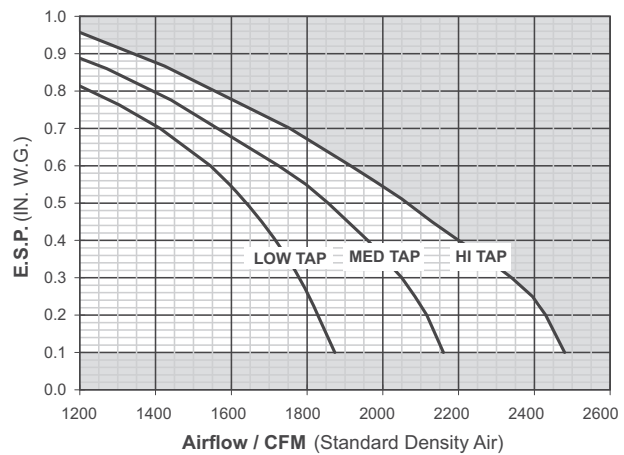
UNIT SIZE 1418



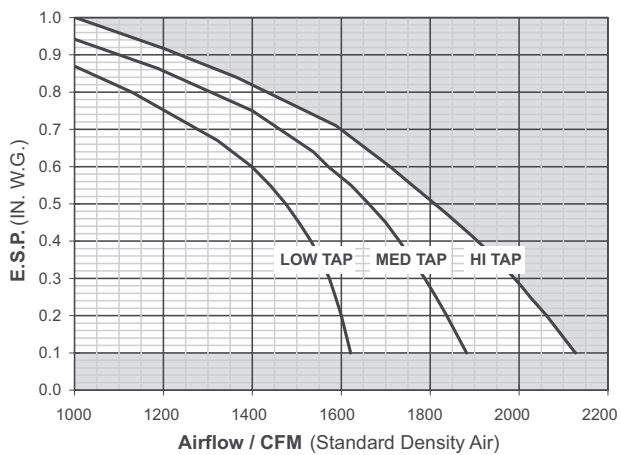
UNIT SIZE 1421



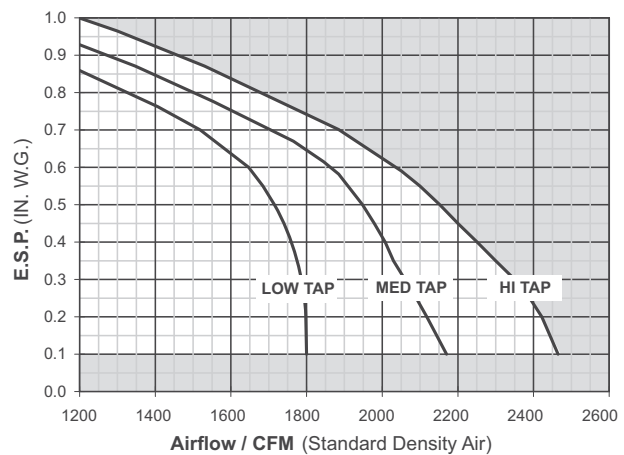
UNIT SIZE 1424



UNIT SIZE 1621



UNIT SIZE 1624



ARI RATINGS

FAN PERFORMANCE

UNIT SIZE	FAN CFM	POWER (WATTS)	SOUND POWER LEVEL, dB re: 10 ⁻¹² WATTS											
			DISCHARGE						RADIATED					
			Hz Octave Band Center Frequency						Hz Octave Band Center Frequency					
			125	250	500	1000	2000	4000	125	250	500	1000	2000	4000
0404	400	140	54	53	49	46	40	37	67	64	57	52	46	45
0504	400	140	54	53	49	46	40	37	67	64	57	52	46	45
0604	400	140	54	53	49	46	40	37	67	64	57	52	46	45
0606	510	200	60	59	56	53	50	50	72	67	60	58	55	55
0804	410	140	54	53	49	53	47	44	67	64	57	52	46	45
0806	520	220	62	61	58	56	53	53	73	67	61	58	56	55
0811	970	380	64	62	62	62	57	56	70	66	63	62	57	57
1006	540	220	62	61	58	56	53	53	73	67	61	58	56	55
1011	1100	420	66	62	63	65	59	57	73	68	63	62	59	59
1018	1800	810	70	68	66	68	63	64	75	70	67	65	62	62
1211	1125	440	66	63	64	65	59	57	76	68	63	62	59	59
1218	1850	840	70	68	66	68	63	64	76	70	67	66	63	63
1221	1950	840	71	67	66	67	63	64	75	70	67	65	63	62
1411	1075	450	66	62	64	65	59	57	76	68	63	62	59	59
1418	1900	880	71	68	66	68	63	64	76	70	67	66	63	63
1421	2050	920	72	67	68	69	63	64	76	71	68	67	65	64
1424	2400	1000	72	68	69	70	66	66	76	72	68	67	65	63
1621	2050	950	72	67	68	69	63	64	76	71	68	67	65	64
1624	2400	1000	72	68	69	70	66	66	76	72	68	67	65	63

NOTE:

1. Fan external static pressure is 0.25" w.g.
2. Based on 60 Hz fan motors

PRIMARY AIR VALVE PERFORMANCE

UNIT SIZE	PRIMARY CFM	MINIMUM OPERATING PRESSURE (In. Water)	SOUND POWER LEVEL, dB re: 10 ⁻¹² WATTS											
			DISCHARGE						RADIATED					
			Hz Octave Band Center Frequency						Hz Octave Band Center Frequency					
			125	250	500	1000	2000	4000	125	250	500	1000	2000	4000
0404	150	0.01	54	59	51	44	39	40	58	51	44	35	32	31
0504	250	0.02	55	56	52	47	42	43	59	49	46	37	32	32
0604	400	0.12	61	60	54	47	42	42	62	54	50	42	36	31
0606	400	0.12	61	60	54	47	42	42	62	54	50	42	36	31
0804	700	0.13	66	64	60	54	50	48	66	58	52	45	40	33
0806	700	0.13	66	64	60	54	50	48	66	58	52	45	40	33
0811	700	0.13	66	64	60	54	50	48	66	58	52	45	40	33
1006	1100	0.02	67	65	60	55	50	48	68	60	54	46	40	38
1011	1100	0.02	67	65	60	55	50	48	68	60	54	46	40	38
1018	1100	0.02	67	65	60	55	50	48	68	60	54	46	40	38
1211	1600	0.06	72	68	64	60	55	53	71	63	56	48	41	37
1218	1600	0.06	72	68	64	60	55	53	71	63	56	48	41	37
1221	1600	0.06	72	68	64	60	55	53	71	63	56	48	41	37
1411	2100	0.08	76	69	64	58	54	51	73	61	54	46	40	38
1418	2100	0.08	76	69	64	58	54	51	73	61	54	46	40	38
1421	2100	0.08	76	69	64	58	54	51	73	61	54	46	40	38
1424	2100	0.08	76	69	64	58	54	51	73	61	54	46	40	38
1621	2800	0.04	79	72	67	61	60	59	77	68	61	52	44	40
1624	2800	0.04	79	72	67	61	60	59	77	68	61	52	44	40



NOTE: Inlet static pressure is 1.5" w.g.

ELECTRIC HEAT

MODEL TVS-EH

STANDARD FEATURES

- cETL listed as an assembly for safety compliance per UL 1995
- Primary auto-reset high limit
- Secondary high limit
- Hinged control panel
- Ni-Chrome elements
- Primary/secondary power terminations
- Fusing per NEC
- Wiring diagram and ETL label
- Fan interlock device (relay or P.E. switch)
- Single point power connection
- Available kW increments are as follows:
0.5 to 10.0 kW - .50 kW; 10.0 to 25.0 kW - 1.0 kW;
above 25.0 - 2.0 kW

OPTIONAL FEATURES

- Disconnect (toggle or door interlocking)
- P.E. switches
- Mercury and magnetic contactors
- Manual reset secondary limit
- Proportional control (SSR)
- 24 volt control transformer
- Special watt densities
- Airflow switch

SELECTION PROCEDURE

With standard heater elements, the maximum capacity (kW) is obtained by dividing the heating (fan) SCFM by 70. In other words, the terminal must have at least 70 SCFM per kW. Optional heater elements are available to handle applications requiring less CFM per kW. In addition, each size terminal has a maximum allowable kW based upon the specific heater element configuration (i.e. voltage, phase, number of steps, etc.). Contact your Johnson Controls representative or refer to the Johnson Controls Windows® based computer selection program for design assistance.

Heaters require a minimum of 0.07" w.g. downstream static pressure to ensure proper operation.

For optimum diffuser performance in overhead heating applications, the supply air temperature should be within 20°F of the desired space temperature. This typically requires a higher air capacity which provides higher air motion in the space increasing thermal comfort. The electric heater should be selected with this in mind, keeping the LAT as low as possible.

PRESSURE DROP ΔPs (INCHES W.G.)

UNIT SIZE	CFM	ΔPs	UNIT SIZE	CFM	ΔPs	
0404	100	.01	1006 1011 1018	600	.02	
	150	.01		800	.03	
	200	.02		1000	.04	
	250	.03		1200	.06	
0504	100	.01		1400	.08	
	200	.02		1600	.11	
	300	.05		800 1100 1400 1700 2000 2300	800	.02
	350	.07			1100	.03
0604 0606	200	.02	1211 1218 1221		1400	.05
	250	.03	1700		.07	
	300	.05	2000	.11		
	350	.07	2300	.14		
	450	.11	1100 1500 1900 2300 2700 3100	1100	.01	
	550	.17		1500	.02	
0804 0806 0811	300	.02		1411 1418 1421 1424	1900	.03
	400	.04		2300	.04	
	500	.06		2700	.05	
	600	.09		3100	.07	
	800	.16	1600 2100 2600 3100 3600 4100	1600	.01	
	1000	.25		2100	.02	
1621 1624				2600	.03	
				3100	.05	
				3600	.06	
				4100	.08	

Selection Equations

$$kW = \frac{SCFM \times \Delta T \times 1.085^*}{3413}$$

$$CFM = \frac{kW \times 3413}{\Delta T \times 1.085^*}$$

$$\Delta T = \frac{kW \times 3413}{SCFM \times 1.085^*}$$

* Air density at sea level - reduce by 0.036 for each 1000 feet of altitude above sea level.

Calculating Line Amperage

$$\text{Single Phase Amps} = \frac{kW \times 1000}{\text{Volts}}$$

$$\text{Three Phase Amps} = \frac{kW \times 1000}{\text{Volts} \times 1.73}$$

MAXIMUM ALLOWABLE kW

UNIT SIZE	MAX. kW	UNIT SIZE	MAX. kW
0404, 0504, 0604	5.5	1411	15
		1018, 1218	26
0804	6	1418	27
0606	8	1221	28
0806, 1006	8.5	1421, 1621	29
0811	14	1424, 1624	34
1011, 1211	16		

HOT WATER COIL DATA

MODEL TVS-WC



STANDARD FEATURES

- Designed, manufactured and tested by Johnson Controls
- Aluminum fin construction with die-formed spacer collars for uniform spacing
- Mechanically expanded copper tubes, leak tested to 450 PSIG air pressure and rated at 300 PSIG working pressure at 200°F
- 1, 2, 3 and 4 row configurations
- Male sweat type water connections

OPTIONAL FEATURES

- Steam coils
- Multi-circuit coils for reduced water pressure drop
- Opposite hand water connections

DEFINITION OF TERMS

- EAT** Entering Air Temperature (°F)
- LAT** Leaving Air Temperature (°F)
- EWT** Entering Water Temperature (°F)
- LWT** Leaving Water Temperature (°F)
- CFM** Air Capacity (Cubic Feet per Minute)
- GPM** Water Capacity (Gallons per Minute)
- MBH** 1,000 BTUH
- BTUH** Coil Heating Capacity (British Thermal Units per Hour)
- ΔT** EWT minus EAT

SELECTION PROCEDURE

Hot Water Coil Performance Tables are based upon a temperature difference of 115°F between entering water and entering air. If this ΔT is suitable, proceed directly to the performance tables for selection. All pertinent performance data is tabulated.

ENTERING WATER - AIR TEMPERATURE DIFFERENTIAL (ΔT) CORRECTION FACTORS															
ΔT	10	15	20	25	30	35	40	45	50	55	60	65	70	75	80
FACTOR	0.15	0.19	0.23	0.27	0.31	0.35	0.39	0.43	0.47	0.51	0.55	0.59	0.63	0.67	0.71
ΔT	85	90	95	100	105	110	115	120	125	130	135	140	145	150	155
FACTOR	0.75	0.79	0.83	0.88	0.92	0.96	1	1.04	1.08	1.13	1.17	1.21	1.25	1.29	1.33

The table above gives correction factors for various entering ΔT's (difference between entering water and entering air temperatures). Multiply MBH values obtained from selection tables by the appropriate correction factor above to obtain the actual MBH value. Air and water pressure drop can be read directly from the selection table. The leaving air and leaving water temperatures can be calculated from the following fundamental formulas:

$$LAT = EAT + \frac{BTUH}{1.085 \times CFM}$$

$$LWT = EWT - \frac{BTUH}{500 \times GPM}$$

The Johnson Controls Windows® based Computer Selection Program is available through your Johnson Controls representative for complete TVS selection and hot water coil performance data.

HOT WATER COIL DATA

MODEL TVS-WC UNIT SIZES 0404, 0504, 0604, 0804, 0806, 0811

AIRFLOW		WATER FLOW			LAT (°F)		LWT (°F)		CAPACITY (MBH)	
Rate (CFM)	Air PD (IN. W.G.)	Rate (GPM)	Water PD (FT. W.G.)		1 Row	2 Row	1 Row	2 Row	1 Row	2 Row
			1 Row	2 Row						
200	1 Row 0.01 2 Row 0.01	0.5	0.3	0.1	114.5	129.2	136.1	123.2	10.7	13.9
		1	1.2	--	122.6	--	154.4	--	12.5	--
		2	4.1	--	127.7	--	166.0	--	13.6	--
		3	8.6	--	129.6	--	170.4	--	14.0	--
		5	--	--	--	--	--	--	--	--
300	1 Row 0.01 2 Row 0.02	0.5	0.3	0.1	104.4	116.0	127.8	112.5	12.8	16.6
		1	1.2	0.3	112.7	130.7	148.2	136.3	15.5	21.4
		2	5.9	--	129.2	--	158.6	--	20.9	--
		3	8.7	--	120.3	--	167.7	--	18.0	--
		5	22.0	--	122.2	--	172.4	--	18.6	--
400	1 Row 0.02 2 Row 0.03	0.5	0.3	0.1	97.9	107.2	122.1	105.7	14.3	18.3
		1	1.2	0.3	106.1	121.8	143.6	129.7	17.8	24.7
		2	4.2	--	111.7	--	159.2	--	20.3	--
		3	8.7	--	113.9	--	165.5	--	21.2	--
		5	22.0	--	115.9	--	170.9	--	22.1	--
500	1 Row 0.02 2 Row 0.05	0.5	0.3	--	93.2	--	117.9	--	15.3	--
		1	1.2	0.3	101.2	115.2	139.9	124.6	19.6	27.2
		2	4.2	1.2	106.9	126.5	156.7	145.9	22.7	33.3
		3	8.7	--	109.2	--	163.6	--	24.0	--
		5	22.1	--	111.2	--	169.7	--	25.1	--
600	1 Row 0.03 2 Row 0.07	0.5	0.4	--	89.8	--	114.8	--	16.1	--
		1	1.2	0.3	97.5	109.9	136.9	120.6	21.2	29.2
		2	4.2	1.2	103.2	121.3	154.6	142.5	24.8	36.6
		3	8.7	2.5	105.5	126.3	162.0	152.8	26.3	39.9
		5	22.1	--	107.6	--	168.6	--	27.7	--
700	1 Row 0.04 2 Row 0.09	0.5	0.4	--	87.0	--	112.5	--	16.7	--
		1	1.2	0.3	94.6	105.7	134.3	117.3	22.4	30.9
		2	4.2	1.2	100.2	117.0	152.7	139.7	26.7	39.5
		3	8.7	2.5	102.5	122.1	160.6	150.4	28.5	43.3
		5	22.1	6.2	104.6	126.9	167.7	160.7	30.1	47.0
800	1 Row 0.06 2 Row 0.11	0.5	0.4	--	84.8	--	110.7	--	17.2	--
		1	1.2	0.3	92.1	102.1	132.2	114.7	23.5	32.2
		2	4.2	1.2	97.7	113.3	151.0	137.2	28.3	41.9
		3	8.8	2.5	100.0	118.5	159.3	148.3	30.3	46.4
		5	22.1	6.2	102.1	123.4	166.8	159.2	32.2	50.6

NOTES:

1. Data is based on 180°F entering water and 65°F entering air temperature at sea level. See computer selection program for other conditions.
2. For optimum diffuser performance in overhead heating applications, the supply air temperature should be within 20°F of the desired space temperature. This typically requires a higher air capacity which provides higher air motion in the space, increasing thermal comfort. The hot water coil should be selected with this in mind, keeping the LAT as low as possible.

The Johnson Controls Windows® based Computer Selection Program is available through your Johnson Controls representative for complete TVS selection and hot water coil performance data.

HOT WATER COIL DATA

MODEL TVS-WC UNIT SIZES 1006, 1018, 1211, 1218, 1221

AIRFLOW		WATER FLOW			LAT (°F)		LWT (°F)		CAPACITY (MBH)	
Rate (CFM)	Air PD (IN. W.G.)	Rate (GPM)	Water PD (FT. W.G.)		1 Row	2 Row	1 Row	2 Row	1 Row	2 Row
			1 Row	2 Row						
400	1 Row 0.01 2 Row 0.02	0.5	0.4	0.1	102.6	111.7	113.7	97.9	16.3	20.2
		1	1.5	0.4	112.5	128.3	137.8	124.0	20.6	27.4
		2	5.2	--	119.3	--	155.8	--	23.6	--
		3	10.9	--	122.0	--	163.1	--	24.7	--
		5	27.6	--	124.4	--	169.4	--	25.7	--
600	1 Row 0.02 2 Row 0.03	0.5	0.5	--	93.5	--	105.0	--	18.6	--
		1	1.5	0.4	103.0	115.6	129.6	113.1	24.7	32.9
		2	5.3	1.5	109.9	128.8	150.1	137.6	29.3	41.5
		3	11.0	--	112.8	--	158.7	--	31.1	--
		5	27.7	--	115.3	--	166.5	--	32.8	--
800	1 Row 0.03 2 Row 0.05	0.5	0.5	--	87.9	--	99.9	--	19.9	--
		1	1.6	0.4	96.9	107.1	123.8	106.0	27.6	36.5
		2	5.3	1.5	103.8	120.3	145.6	131.0	33.6	48.0
		3	11.0	3.1	106.7	126.4	155.3	143.7	36.1	53.2
		5	27.8	--	109.3	--	164.2	--	38.4	--
1000	1 Row 0.04 2 Row 0.08	0.5	0.5	--	84.1	--	96.9	--	20.7	--
		1	1.6	0.5	92.5	101.0	119.5	101.1	29.8	39.1
		2	5.4	1.5	99.3	113.9	142.1	125.9	37.2	53.1
		3	11.1	3.2	102.2	120.1	152.5	139.3	40.3	59.7
		5	27.9	7.9	104.8	126.1	162.3	152.8	43.2	66.2
1200	1 Row 0.05 2 Row 0.11	0.5	--	--	--	--	--	--	--	--
		1	1.6	0.5	89.3	96.4	116.2	97.6	31.6	40.9
		2	5.4	1.5	95.8	108.9	139.1	121.9	40.1	57.2
		3	11.1	3.2	98.7	115.1	150.1	135.6	43.9	65.2
		5	27.9	7.9	101.4	121.2	160.6	150.1	47.4	73.1
1400	1 Row 0.07 2 Row 0.14	0.5	--	--	--	--	--	--	--	--
		1	1.6	0.5	86.7	92.8	113.6	95.1	32.9	42.2
		2	5.4	1.6	93.1	104.9	136.6	118.5	42.6	60.5
		3	11.2	3.2	95.9	111.0	148.0	132.6	47.0	69.8
		5	28.0	8.0	98.6	117.1	159.1	147.6	51.0	78.1
1600	1 Row 0.09 2 Row 0.18	0.5	--	--	--	--	--	--	--	--
		1	1.6	0.5	84.6	89.9	111.6	93.4	34.0	43.2
		2	5.5	1.6	90.8	101.5	134.5	115.8	44.8	63.4
		3	11.3	3.2	93.6	107.5	146.2	129.9	49.7	73.8
		5	28.1	8.0	96.3	113.7	157.8	145.4	54.3	84.5
1800	1 Row 0.11 2 Row 0.23	0.5	--	--	--	--	--	--	--	--
		1	1.7	0.5	82.9	87.5	109.9	92.2	34.9	43.9
		2	5.5	1.6	88.9	98.7	132.6	113.4	46.7	65.8
		3	11.3	3.2	91.7	104.6	144.6	127.6	52.1	77.3
		5	28.2	8.0	94.4	110.7	156.6	143.5	57.3	89.3

See Notes on previous page.

The Johnson Controls Windows® based Computer Selection Program is available through your Johnson Controls representative for complete TVS selection and hot water coil performance data.

HOT WATER COIL DATA

MODEL TVS-WC UNIT SIZES 1411, 1418, 1421, 1424, 1621, 1624

AIRFLOW		WATER FLOW			LAT (°F)		LWT (°F)		CAPACITY (MBH)	
Rate (CFM)	Air PD (IN. W.G.)	Rate (GPM)	Water PD (FT. W.G.)		1 Row	2 Row	1 Row	2 Row	1 Row	2 Row
			1 Row	2 Row						
1000	1 Row 0.03 2 Row 0.06	0.5	0.6	--	85.0	--	93.0	--	21.7	--
		1	1.8	0.5	94.0	102.4	116.3	98.0	31.5	40.6
		2	6.0	1.7	101.3	116.1	139.8	123.5	39.4	55.5
		3	12.4	3.6	104.5	122.7	150.8	137.4	42.8	62.6
		5	31.2	8.9	107.4	129.0	161.1	151.5	46.0	69.5
1200	1 Row 0.04 2 Row 0.08	0.5	--	--	--	--	--	--	--	--
		1	1.8	0.5	90.6	97.7	112.7	94.3	33.3	42.5
		2	6.1	1.7	97.7	111.0	136.6	119.2	42.6	59.8
		3	12.5	3.6	100.9	117.6	148.2	133.5	46.7	68.4
		5	31.3	8.9	103.8	124.1	159.3	148.5	50.5	76.9
1400	1 Row 0.05 2 Row 0.11	0.5	--	--	--	--	--	--	--	--
		1	1.8	0.5	87.9	94.0	109.9	91.6	34.7	44.0
		2	6.1	1.8	94.8	106.8	133.9	115.6	45.3	63.4
		3	12.6	3.6	97.9	113.3	146.0	130.1	50.0	73.4
		5	31.4	8.9	100.9	119.9	157.7	145.9	54.5	83.4
1600	1 Row 0.07 2 Row 0.14	0.5	--	--	--	--	--	--	--	--
		1	1.6	0.5	84.6	90.9	111.6	89.7	34.0	45.0
		2	6.2	1.8	92.5	103.3	131.6	112.6	47.6	66.5
		3	12.6	3.6	95.5	109.8	144.0	127.3	53.0	77.7
		5	31.5	9.0	98.5	116.4	156.2	143.5	58.1	89.2
1800	1 Row 0.09 2 Row 0.17	0.5	--	--	--	--	--	--	--	--
		1	1.9	0.6	83.9	88.4	106.0	88.4	36.9	45.8
		2	6.2	1.8	90.5	100.4	129.6	110.1	49.7	69.0
		3	12.7	3.6	93.5	106.7	142.2	124.8	55.6	81.5
		5	31.6	9.0	96.4	113.3	154.9	141.4	61.3	94.3
2000	1 Row 0.10 2 Row 0.21	0.5	--	--	--	--	--	--	--	--
		1	1.9	--	82.3	--	104.6	--	37.6	--
		2	6.3	1.8	88.8	97.9	127.8	108.0	51.5	71.3
		3	12.8	3.7	91.8	104.1	140.6	122.6	58.0	84.8
		5	31.7	9.0	94.6	110.7	153.7	139.6	64.3	99.0
2200	1 Row 0.12 2 Row 0.25	0.5	--	--	--	--	--	--	--	--
		1	2.0	--	81.0	--	103.5	--	38.2	--
		2	6.3	1.8	87.3	95.7	126.2	106.2	53.2	73.2
		3	12.8	3.7	90.2	101.8	139.2	120.6	60.2	87.8
		5	31.8	9.1	93.1	108.3	152.6	137.8	67.0	103.3

NOTES:

1. Data is based on 180°F entering water and 65°F entering air temperature at sea level. See computer selection program for other conditions.
2. For optimum diffuser performance in overhead heating applications, the supply air temperature should be within 20°F of the desired space temperature. This typically requires a higher air capacity which provides higher air motion in the space, increasing thermal comfort. The hot water coil should be selected with this in mind, keeping the LAT as low as possible.

The Johnson Controls Windows® based Computer Selection Program is available through your Johnson Controls representative for complete TVS selection and hot water coil performance data.

GUIDE SPECIFICATIONS

GENERAL

Furnish and install Johnson Controls Model TVS parallel flow variable volume fan powered terminals of the sizes and capacities scheduled. Units shall be ETL listed. Terminals with electric heat shall be listed as an assembly. Separate listings for the terminal and electric heater are not acceptable. Terminals shall include a single point electrical connection. Terminal units shall be ARI certified and bear the ARI 880 seal.

The entire unit shall be designed and built as a single unit. Field-assembled components or built-up terminals employing components from multiple manufacturers are not acceptable.

CONSTRUCTION

Terminals shall be constructed of not less than 22 gauge galvanized steel, able to withstand a 125 hour salt spray test per ASTM B-117. Stainless steel casings, or galvanized steel casings with a baked enamel paint finish, may be used as an alternative. The terminal casing shall be mechanically assembled (spot-welded casings are not acceptable).

Casing shall be internally lined with 3/4" thick fiberglass insulation, rated for a maximum air velocity of 5000 f.p.m. Maximum thermal conductivity shall be .24 (BTU • in) / (hr • ft² • °F). Insulation must meet all requirements of ASTM C1071 (including C665), UL 181 for erosion, and carry a 25/50 rating for flame spread/smoke developed per ASTM E-84, UL 723 and NFPA 90A. Raw insulation edges on the discharge of the unit must be covered with metal liner to eliminate flaking of insulation during field duct connections. Simple "buttering" of raw edges with an approved sealant is not acceptable.

Casing shall have bottom or side access to gain access to the fan assembly. The opening shall be sufficiently large to allow complete removal of the fan if necessary. The casing shall be constructed in a manner to provide a single rectangular discharge collar. Multiple discharge openings are not acceptable. All appurtenances including control assemblies, control enclosures, hot water heating coils, and electric heating coils shall not extend beyond the top or bottom of the unit casing.

SOUND

The terminal manufacturer shall provide ARI certified sound power data for radiated and discharge sound. The sound levels shall not exceed the octave band sound power levels indicated on the schedule. If the

sound data does not meet scheduled criteria, the contractor shall be responsible for the provision and installation of any additional equipment or material necessary to achieve the scheduled sound performance.

PRIMARY AIR VALVE

The primary air valve shall consist of a minimum 22 gauge cylindrical body that includes embossment rings for rigidity. The damper blade shall be connected to a solid shaft by means of an integral molded sleeve which does not require screw or bolt fasteners. The shaft shall be manufactured of a low thermal conducting composite material, and include a molded damper position indicator visible from the exterior of the unit. The damper shall pivot in self lubricating bearings. The damper actuator shall be mounted on the exterior of the terminal for ease of service. The valve assembly shall include internal mechanical stops for both full open and closed positions. The damper blade seal shall be secured without use of adhesives. The air valve leakage shall not exceed 1% of maximum inlet rated airflow at 3" W.G. inlet pressure.

PRIMARY AIRFLOW SENSOR

For inlet diameters 6" or greater, the differential pressure airflow sensor shall traverse the duct along two perpendicular diameters. Cylindrically shaped inlets shall utilize the equal cross sectional area or log-linear traverse method. Single axis sensor shall not be acceptable for duct diameters 6" or larger. A minimum of 12 total pressure sensing points shall be utilized. The total pressure inputs shall be averaged using a pressure chamber located at the center of the sensor. A sensor that delivers the differential pressure signal from one end of the sensor is not acceptable. The sensor shall output an amplified differential pressure signal that is at least 2.3 times the equivalent velocity pressure signal obtained from a conventional pitot tube. The sensor shall develop a differential pressure of 0.015" w.g. at an air velocity of ≤ 325 FPM. Documentation shall be submitted which substantiates this requirement. Balancing taps and airflow calibration charts shall be provided for field airflow measurements.

FAN ASSEMBLY

The unit fan shall utilize a forward curved, dynamically balanced, galvanized wheel with a direct drive motor. The motor shall be permanent split capacitor type with three separate horsepower taps. Single speed motors with electronic speed controllers are not acceptable.

GUIDE SPECIFICATIONS

The fan motor shall be unpluggable from the electrical leads at the motor case for simplified removal (open frame motors only). The motor shall utilize permanently lubricated sleeve type bearings, include thermal overload protection and be suitable for use with electronic and/or mechanical fan speed controllers. The motor shall be mounted to the fan housing using torsion isolation mounts properly isolated to minimize vibration transfer.

The terminal shall utilize an electronic (SCR) fan speed controller for aid in balancing the fan capacity. The speed controller shall have a turn down stop to prevent possibility of harming motor bearings.

HOT WATER COIL

Terminal shall include an integral hot water coil where indicated on the plans. The coil shall be manufactured by the terminal unit manufacturer and shall have a minimum 22 gauge galvanized sheet metal casing. Stainless steel casings, or galvanized steel casings with a baked enamel paint finish, may be used as an alternative. Coil to be constructed of pure aluminum fins with full fin collars to assure accurate fin spacing and maximum tube contact. Fins shall be spaced with a minimum of 10 per inch and mechanically fixed to seamless copper tubes for maximum heat transfer.

Each coil shall be hydrostatically tested at a minimum of 450 PSIG under water, and rated for a maximum 300 PSIG working pressure at 200°F.

ELECTRIC HEATERS

Terminal shall include an integral electric heater where indicated on the plans. The heater cabinet shall be constructed of not less than 20 gauge galvanized steel. Stainless steel cabinets, or galvanized steel casings with a baked enamel paint finish, may be used as an alternative. Heater shall have a hinged access panel for entry to the controls.

A power disconnect shall be furnished to render the heater non-operational. Heater shall be furnished with all controls necessary for safe operation and full compliance with UL 1995 and National Electric Code requirements.

Heater shall have a single point electrical connection. It shall include a primary disc-type automatic reset high temperature limit, secondary high limit(s), Ni-Chrome elements, and fusing per UL and NEC. Heater shall have complete wiring diagram with label indicating power requirement and kW output. Heater shall be

interlocked with fan terminal so as to preclude operation of the heater when the fan is not running.

OPTIONS

Foil Faced Insulation

Insulation shall be covered with scrim backed foil facing. All insulation edges shall be covered with foil or metal nosing. In addition to the basic requirements, insulation shall meet ASTM C1136 for insulation facings, and ASTM C1338 for mold, mildew and humidity resistance.

Elastomeric Closed Cell Foam Insulation

Provide Elastomeric Closed Cell Foam Insulation in lieu of standard. Insulation shall conform to UL 181 for erosion and NFPA 90A for fire, smoke and melting, and comply with a 25/50 Flame Spread and Smoke Developed Index per ASTM E-84 or UL 723. Additionally, insulation shall comply with Antimicrobial Performance Rating of 0, no observed growth, per ASTM G-21. Polyethylene insulation is not acceptable.

Double Wall Construction

The terminal casing shall be double wall construction using a 22 gauge galvanized metal liner covering all insulation.

Filters

Terminals shall include a filter rack and 1" thick disposable fiberglass filter, allowing removal without horizontal sliding.

PIPING PACKAGES

Provide a standard factory assembled non-insulated valve piping package to consist of a 2 way, on/off, motorized electric control valve and two ball isolation valves. Control valves are piped normally closed to the coil. Maximum entering water temperature on the control valve shall be 200°F. The maximum close-off pressure is 40 PSIG (1/2") or 20 PSIG (3/4"). Maximum operating pressure shall be 300 PSIG.

Option: Provide 3-wire floating point modulating control valve (fail-in-place) in lieu of standard 2-position control valve with factory assembled valve piping package.

Option: Provide high pressure close-off actuators for 2-way, on/off control valves. Maximum close-off pressure is 50 PSIG (1/2") or 25 PSIG (3/4").

Option: Provide either a fixed or adjustable flow control device for each piping package.

GUIDE SPECIFICATIONS

Option: Provide unions and/or pressure-temperature ports for each piping package.

Piping package shall be completely factory assembled, including interconnecting pipe, and shipped separate from the unit for field installation on the coil, so as to minimize the risk of freight damage.

CONTROLS

Analog Electronic Controls

Furnish and install Series 7000 Pressure Independent Analog Electronic Control System where indicated on the plans and in the specifications. The complete system shall be fully operational and include the following:

- Single duct, dual duct, and/or fan powered terminal units
- Pressure independent Series 7000 analog electronic zone controllers with integral differential pressure transducer
- Analog electronic wall thermostat
- Electronic air valve actuator
- 24 VAC control transformers
- Air pressure switches as required
- Electronic duct temperature sensors as required

Pneumatic Controls

Units shall be controlled by a pneumatic differential pressure reset volume controller. Controller shall be capable of pressure independent operation down to 0.03 inches W.G. differential pressure and shall be factory set to the specified airflow (CFM). Controller shall not exceed 11.5 scim (Standard Cubic Inches per Minute) air consumption @ 20 PSIG.

Unit primary air valve shall modulate in response to the room mounted thermostat and shall maintain airflow in relation to thermostat pressure regardless of system static pressure changes. An airflow (CFM) curve shall be affixed to the terminal unit expressing differential pressure vs. CFM. Pressure taps shall be provided for field use and ease of balancing.

Terminal unit manufacturer shall supply and manufacture a 5 to 10 PSIG pneumatic actuator capable of a minimum of 45 in. lbs. of torque.

Actual sequence of operation is shown on the contract drawings. Terminal unit manufacturer shall coordinate, where necessary, with the temperature control contractor.

JOHNSON CONTROLS DDC CONTROL

N2

Each VAV terminal unit shall be bundled with a digital controller. The controller shall be compatible with a Johnson Controls N2 system network. A unique Johnson Controls N2 network address shall be assigned to each controller, and referenced to the tagging system used on the drawings and in the schedules provided by the Project Engineer. All controllers shall be factory mounted and wired, with the controller's hardware address set, and all of the individual terminal's data pre-loaded into the controller. The terminal's data shall include, but not be limited to the Max CFM, Min CFM, Heating CFM, and terminal K factor. Heating system operating data shall also be factory installed for all terminals with heat. Communication with the digital controller shall be accomplished through the Johnson Controls N2 network. The digital controller shall have hardware input and output connections to facilitate the specified sequence of operation in either the network mode, or on a stand-alone basis. The terminal unit manufacturer shall coordinate, where necessary, with the Temperature Control Contractor.

MS/TP

Each VAV terminal unit shall be bundled with a digital controller. The controller shall be compatible with a MS/TP BACnet system network. A unique network address and a BACnet site address shall be assigned to each controller, and referenced to the tagging system used on the drawings and in the schedules provided by the Project Engineer. All controllers shall be factory mounted and wired, with the controller's hardware address set, and all of the individual terminal's data pre-loaded into the controller. The terminal's data shall include, but not be limited to Max CFM, Min CFM, Heating CFM, and terminal K factor. Heating system operating data shall also be factory installed for all terminals with heat. Communications with the digital controller shall be accomplished through the MS/TP BACnet network or through a Bluetooth connector. The digital controller shall have hardware input and output connections to facilitate the specified sequence of operation in either the network mode, or on a stand-alone basis. The terminal unit manufacturer shall coordinate, where necessary, with the Temperature Control Contractor.

LON

Each VAV terminal unit shall be bundled with a digital controller. The controller shall be compatible with a LON system network. A unique network address shall be assigned to each controller and referenced to the tagging system used on the drawings and in the schedules

GUIDE SPECIFICATIONS

provided by the Project Engineer. All controllers shall be factory mounted and wired, and all of the individual terminal's data pre-loaded into the LNS database for the project. The terminal's data shall include, but not be limited to Max CFM, Min CFM, Heating CFM, and terminal K factor. Heating system operating data shall also be factory installed for all terminals with heat.

Communication with the digital controller shall be accomplished through the LON network. The digital controller shall have hardware input and output connections to facilitate the specified sequence of operation in either the network mode, or on a stand-alone basis. The terminal unit manufacturer shall coordinate, where necessary, with the Temperature Control Contractor.