



Bulletin DXA08



DOMEX AXIAL

Models: DAS, DAE
Roof Ventilators
Direct Drive

MOVING YOUR WAY

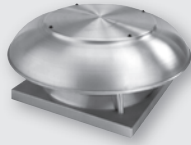
› **Domex Axial Series**

Model: DAS

- Static pressure up to 0.5 in. wg.
- Direct Drive - Flow capacity up to 2,460 CFM

Model: DAE

- Static pressure up to 1.125 in. wg.
- Direct Drive - Flow capacity up to 2,400 CFM



Introduction, Options, & Accessories.....2

Dimensional Information & Performance Data3

Engineering Specifications4

Limited WarrantyIBC

› **Domex Axial UL, CSA, and ETL Certifications**

UL and CSA Certification Models DAS14 through DAS18 are listed under UL705 (Electrical).



The Model DAS fans are listed by the Canadian Standards Association Testing Laboratory as approved.



Models DAE10 through DAE18 are ETL listed and comply with US705 (Electrical) Standards and CSA Std. C22.2, No 113.



PennBarry reserves the right to make changes at any time, without notice, to models, construction, specifications, options, availability, etc. This bulletin illustrates the appearance of PennBarry products at the time of publication. To view the latest updates, visit PennBarry at www.pennbarry.com.

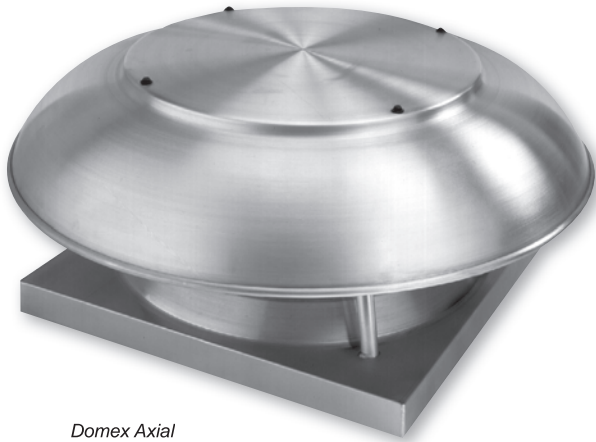
Introduction

Domex Axial Supply & Exhaust Fans



Introduction, Options, & Accessories

Supply & Exhaust Fans



Domex Axial
Model DAE

› Domex Axial Supply & Exhaust Fans

PennBarry axial flow ventilators provide excellent value for supply (DAS) and exhaust (DAE) applications in kitchens, office buildings, bakeries, laundries, factories, warehouses, foundries and locker rooms. They have an attractive low profile silhouette and operate efficiently at low and medium pressures.

Housings are durable, attractive spun aluminum with integral bird screens. Installation is easy and simple for roof or wall mount applications. Integral wiring conduit is standard.

› Domex Axial Series

Model: DAS

- Static pressure up to 0.5 in. wg.
- Direct Drive - Flow capacity up to 2,460 CFM

Model: DAE

- Static pressure up to 1.125 in. wg.
- Direct Drive - Flow capacity up to 2,400 CFM

Options & Accessories

› Backdraft Dampers

Backdraft dampers are available for either gravity or motorized operation (motor kit optional). Dampers feature square galvanized steel frame, multi-leaf, roll formed aluminum blades with nylon bearings.

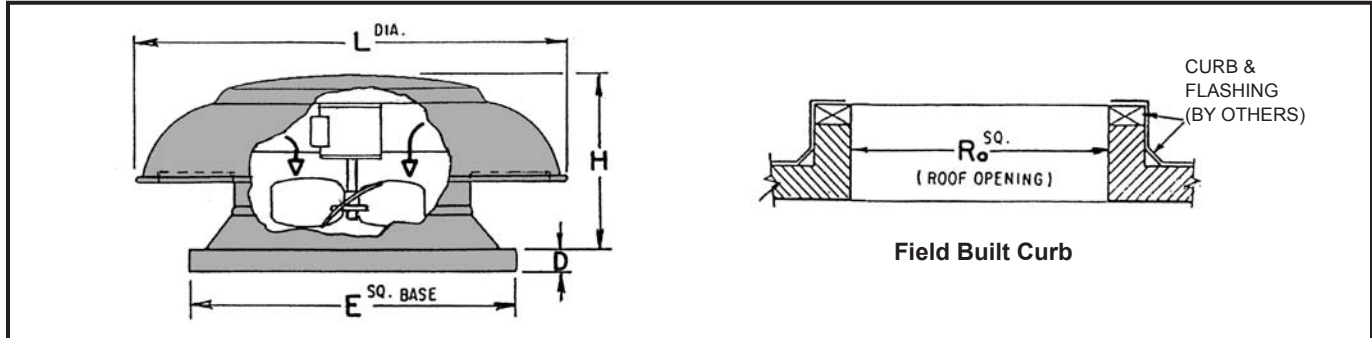
› Prefabricated Curbs

Roof curbs are available in a variety of sizes. Galvanized steel unibeam curbs are the most popular. For a complete listing of all curb types and sizes available, please consult the latest PennBarry Curb brochure.

D
o
m
e
x

A
x
i
a
l

› **DAS (Supply) Dimensional Drawings**



› **DAS Dimensional References**

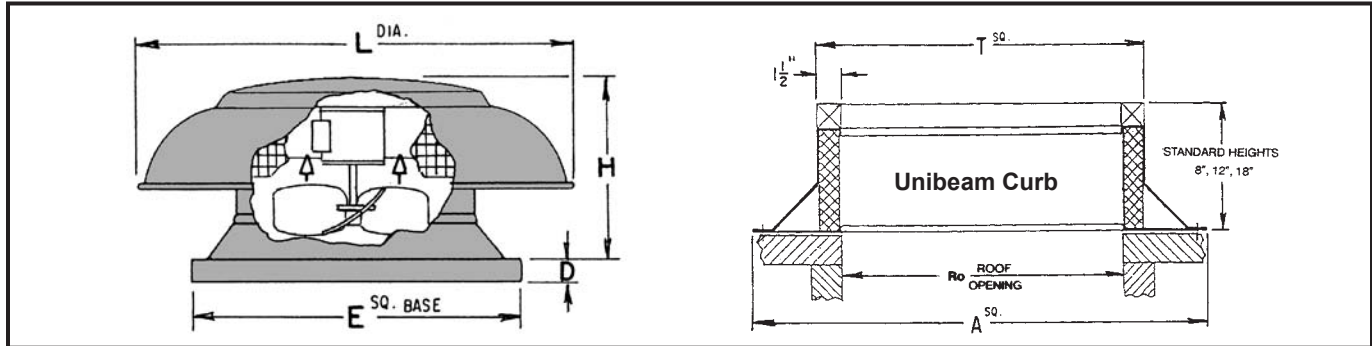
Model	L	H	D	E	Ro
DAS14	27 5/16	12 5/8	2	21	16
DAS18	33 9/16	14 3/8	2	26	20

All dimensions in inches.

› **DAS Performance Data**

Model	Motor HP	RPM	TS	Static Pressure (in. w.g.)				
				0.00"	.125"	.250"	.375"	.500"
DAS14	1/6	1100	4030	1450	1174	904	670	439
DAS18	1/3	1100	5180	2460	2220	1980	1639	1300

› **DAE (Exhaust) Dimensional Drawings**



› **DAE Dimensional References**

Model	L Dia.	H	D	E Sq.	T Sq.	A Sq.	Ro Sq.	Damper OD
DAE10	18 5/16	9 3/4	2	19	17 1/2	25 1/2	13	12 3/4
DAE12	20 5/16	10 1/4	2	19	17 1/2	25	13	12 3/4
DAE14	27 5/16	12 5/8	2	21	19 1/2	27	16	15 3/4
DAE18	33 9/16	14 3/8	2	26	24 1/2	32	20	19 3/4

All dimensions in inches. Standard curb heights are 8", 12" and 18" including wood nailer. "T" dimension of curb is 1 1/2" less than the dimension of the inside base of the fan ("E"). "Ro" refers to the Roof Opening. "E" dimension is the inside base of fan.

› **DAE Performance Data**

Model	Motor HP	RPM	TS	Static Pressure (in. w.g.)										
				0.00"	.125"	.250"	.375"	.500"	0.625"	0.750"	0.875"	1.000"	1.125"	
DAE10	1/30	1500	3927	500	339	267	173	63	-	-	-	-	-	
DAE12	1/10	1500	4712	830	710	620	522	436	357	270	175	78	-	
DAE14	1/6	1100	4032	1160	899	786	646	521	384	236	-	-	-	
DAE18	1/3	1100	5184	2400	2034	1628	1491	1293	1084	881	662	433	176	

Speed (RPM) shown is nominal and performance is based on actual speed of test. Performance shown is for installation Type A; Free Inlet, Free Outlet. Performance rating includes effect of bird screen in the air stream.

DAS & DAE

Supply & Exhaust Fans

› Model

DAS = Axial Supply Fan
DAE = Axial Exhaust Fan

› Unit Size

10
12
14
18

› Damper

0 = None
BDD = Back Draft Damper
MD1 = Motor Operated Damper 115V
MD2 = Motor Operated Damper 230V
MD4 = Motor Operated Damper 460V
X = Special

› Roof Curb

0 = None	K = UCA18	V = UG18
A = UCG8	L = UG12	W = URA12
B = UCG12	M = SA16	Y = URA18
C = UCG18	N = SFG12	1 = URG12
D = UCA8	P = SFG18	2 = URG18
E = UCA12	Q = SG16	X = Special
F = SFA12	R = SRA16	
G = SFA18	S = SRG16	
H = SCG16	T = UA12	
J = SCA16	U = UA18	

› Slope

0 = None
S = Single
D = Double

› Metal Liner

0 = None
L = Metal Liner

› Damper Holding Plate

0 = None
P = Damper Holding Plate

› Neoprene Gasket

0 = None
G = Gasket

› No Wooden Nailer

0 = Wood Nailer
N = No Wooden Nailer

› Curb Paint/Coating

0 = None
B = Air Dried Epoxy
Q = Air Dried Enamel
X = Special

› DAS

Supply Unit

Direct drive axial roof supply fans, shall be Axial Domex DAS, supplied by PennBarry, Richardson, TX 75081.

Ventilator housings shall be heavy gauge spun aluminum construction with galvanized steel support members and shall be weatherproof, incorporating an integral weather baffle at the top of the air shaft. Bird Screen is included. An electrical conduit shall be furnished as an integral part of the housing to provide a clear channel for field wiring.

Propellers shall be statically and dynamically balanced. Motors shall be Totally Enclosed (TE), continuous duty, and positively cooled.

Each fan shall be UL compliant.

› DAE

Exhaust Unit

Direct drive axial roof exhaust fans, shall be Axial Domex DAE, supplied by PennBarry, Richardson, TX 75081.

Ventilator housings shall be heavy gauge spun aluminum construction with galvanized steel support members and shall be weatherproof, incorporating an integral weather baffle at the top of the air shaft. Bird Screen is included. An electrical conduit shall be furnished as an integral part of the housing to provide a clear channel for field wiring.

Propellers shall be statically and dynamically balanced. Motors shall be Totally Enclosed (TE), continuous duty, and positively cooled.

Each fan shall be UL compliant.

D
o
m
e
x
A
x
i
a
l



Sales Agreement

Domex Axial Supply & Exhaust Fans

1-Year Limited Manufacturer Warranty

› Products Covered

PennBarry Fans and Ventilators (each, a “PennBarry Product”)

› One Year Limited Warranty For PennBarry Products

PennBarry warrants to the original commercial purchaser that the PennBarry Products will be free from defects in material and workmanship for a period of one (1) year from the date of shipment.

› Exclusive Remedy

PennBarry will, at its option, repair or replace (without removal or installation) the affected components of any defective PennBarry Product; repair or replace (without removal or installation) the entire defective PennBarry Product; or refund the invoice price of the PennBarry Product. In all cases, a reasonable time period must be allowed for warranty repairs to be completed.

› What You Must Do

In order to make a claim under these warranties:

- You must be the original commercial purchaser of the PennBarry Product.
- You must promptly notify us, within the warranty period, of any defect and provide us with any substantiation that we may reasonably request.
- The PennBarry Product must have been installed and maintained in accordance with good industry practice and any specific PennBarry recommendations.

› Exclusions

These warranties do not cover defects caused by:

- Improper design or operation of the system into which the PennBarry Product is incorporated.
- Improper installation.
- Accident, abuse or misuse.
- Unreasonable use (including any use for non-commercial purposes, failure to provide reasonable and necessary maintenance as specified by PennBarry, misapplication and operation in excess of stated performance characteristics).
- Components not manufactured by PennBarry.

› Limitations

- In all cases, PennBarry reserves the right to fully satisfy its obligations under the Limited Warranties by refunding the invoice price of the defective PennBarry Product (or, if the PennBarry Product has been discontinued, of the most nearly comparable current product).
- PennBarry reserves the right to furnish a substitute or replacement component or product in the event a PennBarry Product or any component of the product is discontinued or otherwise unavailable.
- PennBarry’s only obligation with respect to components not manufactured by PennBarry shall be to pass through the warranty made by the manufacturer of the defective component.

› General

The foregoing warranties are exclusive and in lieu of all other warranties except that of title, whether written, oral or implied, in fact or in law (including any warranty of merchantability or fitness for a particular purpose).

PennBarry hereby disclaims any liability for special, punitive, indirect, incidental or consequential damages, including without limitation lost profits or revenues, loss of use of equipment, cost of capital, cost of substitute products, facilities or services, downtime, shutdown or slowdown costs.

The remedies of the original commercial purchaser set forth herein are exclusive and the liability of PennBarry with respect to the PennBarry Products, whether in contract, tort, warranty, strict liability or other legal theory shall not exceed the invoice price charged by PennBarry to its customer for the affected PennBarry Product at the time the claim is made.

Inquiries regarding these warranties should be sent to: PennBarry, 1401 North Plano Road, Richardson, TX 75081

Other PennBarry Products

Centrifugal Products



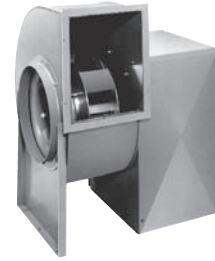
› **Domex**
Centrifugal
Roof Exhausters



› **Fumex Fatrap**
Kitchen Hood Centrifugal
Roof Exhausters



› **Zephyr**
Ceiling and Inline Fans



› **Dynamo**
Centrifugal Blowers



› **Centrex Inliner**
Centrifugal Inline Fan



› **LC Dynafan**
Low Contour Centrifugal
Roof Exhausters

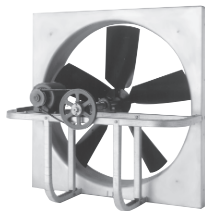


› **ESI**
Efficient Silent
Inline Fan



› **Fume Exhaust**
Curb Mounted
Centrifugal Fans

Axial / Gravity Products



› **Breezeway**
Propeller Wall Fan



› **Hi-Ex**
Power Roof Ventilator



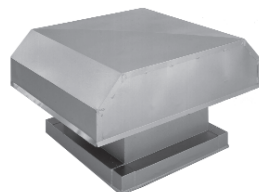
› **Tubeaxial**
Inline Fans



› **Vaneaxial**
Inline Fans



› **Powered Airette**
Axial Roof Ventilators



› **Airette**
Gravity Intake/Relief Hood



› **Domex Axial**
Axial Roof Ventilators



› **Axcentrix**
Bifurcator Fan



PENN BARRY™

For more information, contact your local PennBarry Sales
Manufacturer Representative or visit us at www.PennBarry.com.

©2008 PennBarry™ All Rights Reserved. March 2008